



T&S BRASS AND BRONZE WORKS, INC.

2 Saddleback Cove / P.O. Box 1088
Travelers Rest, SC 29690

Model No.

B-0930

Item No.

Travelers Rest, SC: 800-476-4103 • Simi Valley, CA: 800-423-0150 • Fax: 864-834-3518 • www.tsbrass.com

This Space for Architect/Engineer Approval

Job Name _____ Date _____

Model Specified _____ Quantity _____

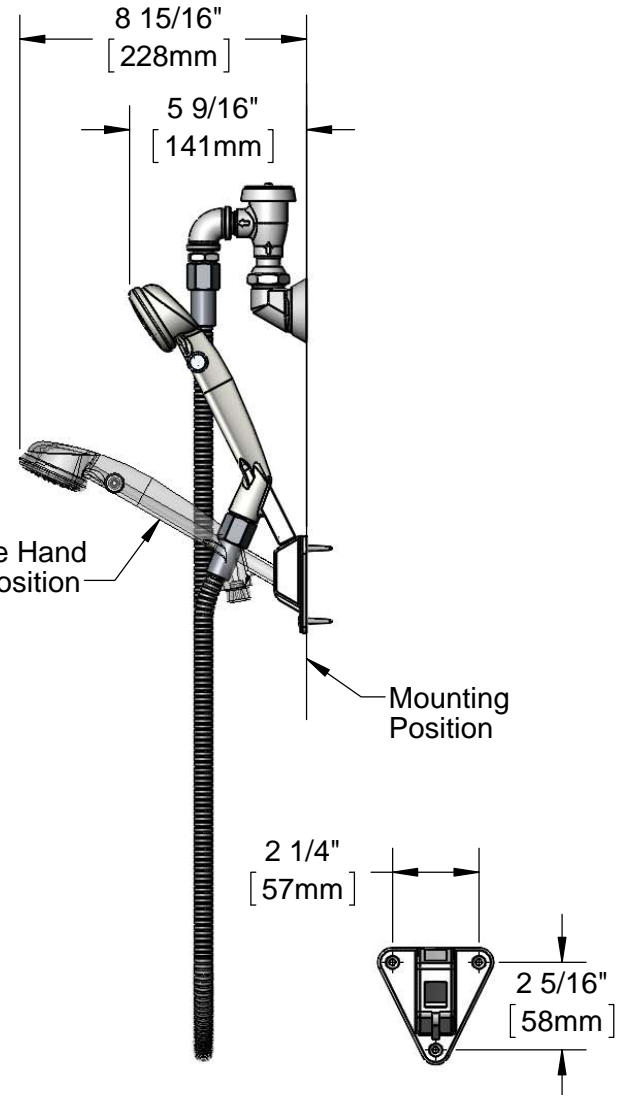
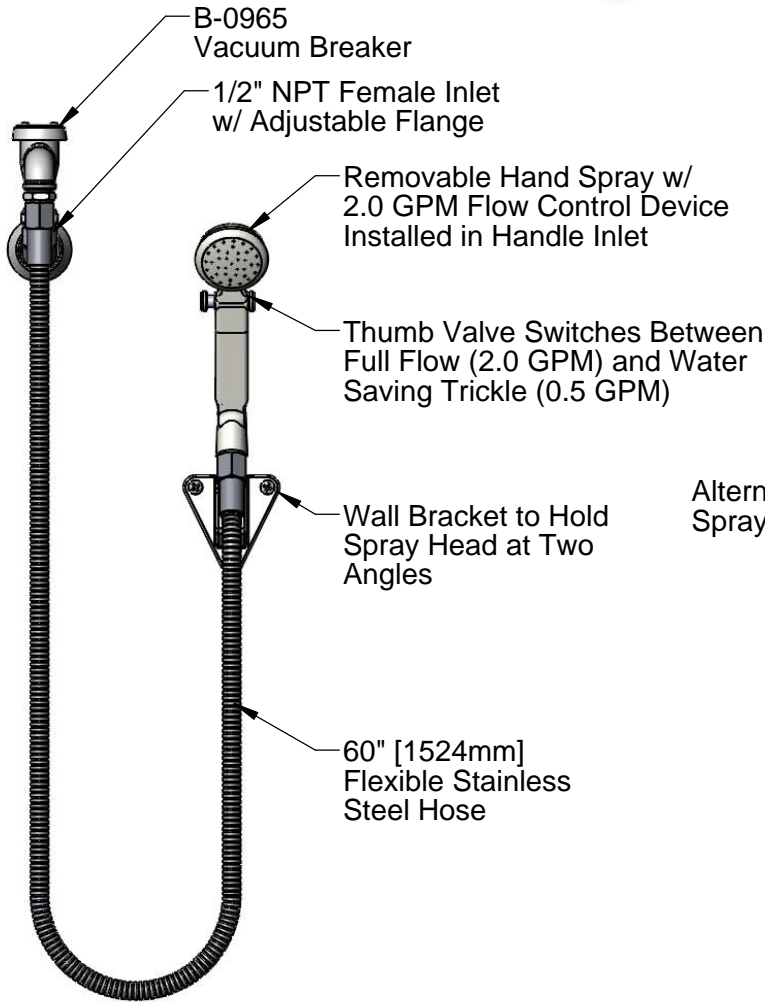
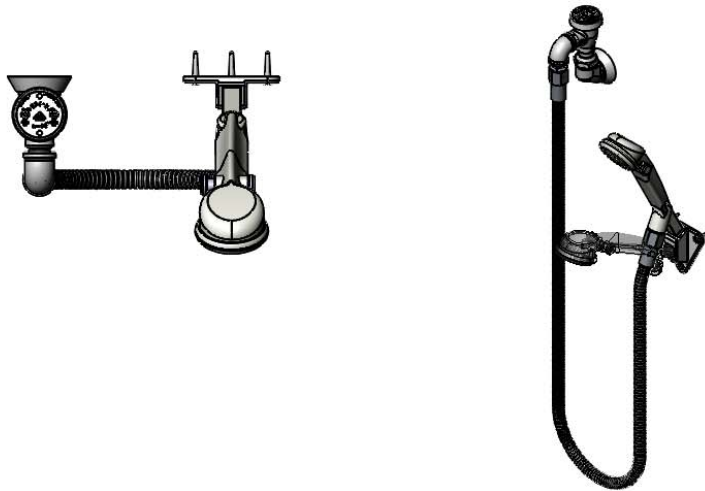
Customer/Wholesaler _____

Contractor _____

Architect/Engineer _____



ADA Compliant



Product Specifications:

Shower Queen Hand Spray w/ 2.0 GPM Flow Control, Wall Bracket, 60" Flexible Stainless Steel Hose, 1/2" Vacuum Breaker & 1/2" NPT Female Inlet

Product Compliance:

ASME A112.18.1 / CSA B125.1
NSF 61 Exempt (Non-Potable)
ANSI A117.1 (ADA)
ASSE 1001 (VB)

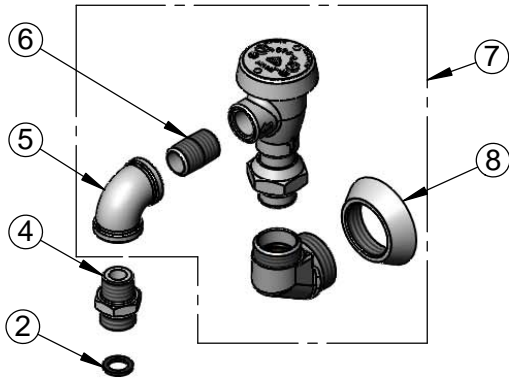


T&S BRASS AND BRONZE WORKS, INC.
 2 Saddleback Cove / P.O. Box 1088
 Travelers Rest, SC 29690

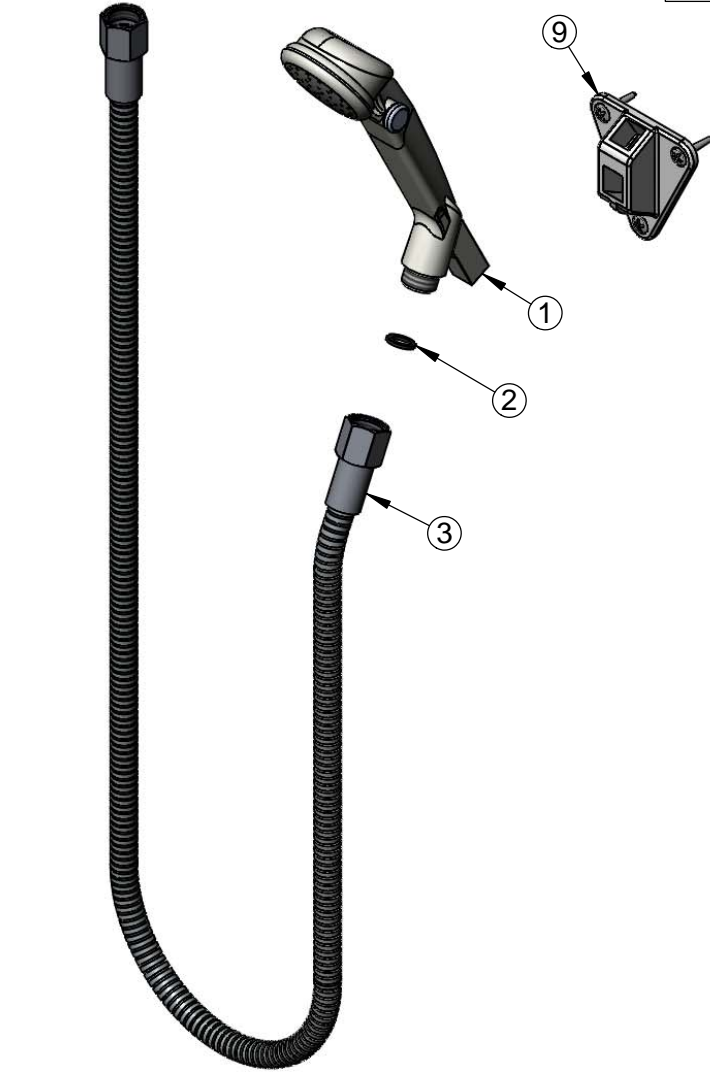
Model No.
B-0930

Item No.

Travelers Rest, SC: 800-476-4103 • Simi Valley, CA: 800-423-0150 • Fax: 864-834-3518 • www.tsbrass.com



| ITEM NO. | SALES NO. | DESCRIPTION |
|----------|-----------|-----------------------------------|
| 1 | SQ-0095 | Hand Spray, Shower Queen |
| 2 | 014569-45 | Face Seal |
| 3 | 013E-60H | 60" Flexible Stainless Steel Hose |
| 4 | 053A | Adapter, 3/8" NPT Male |
| 5 | 001355-40 | Elbow, 3/8 NPT |
| 6 | 002535-25 | 3/8" Close Nipple |
| 7 | B-0965 | 1/2" NPT Vacuum Breaker |
| 8 | 000101-40 | Flange |
| 9 | SQ-0092 | Wall Bracket |



Product Specifications:

Shower Queen Hand Spray w/ 2.0 GPM Flow Control, Wall Bracket, 60" Flexible Stainless Steel Hose, 1/2" Vacuum Breaker & 1/2" NPT Female Inlet

Product Compliance:

ASME A112.18.1 / CSA B125.1
 NSF 61 Exempt (Non-Potable)
 ANSI A117.1 (ADA)
 ASSE 1001 (VB)