



T&S BRASS AND BRONZE WORKS, INC.
 2 Saddleback Cove / P.O. Box 1088
 Travelers Rest, SC 29690

Model No.
B-0929

Item No.

Travelers Rest, SC: 800-476-4103 • Simi Valley, CA: 800-423-0150 • Fax: 864-834-3518 • www.tsbrass.com

This Space for Architect/Engineer Approval

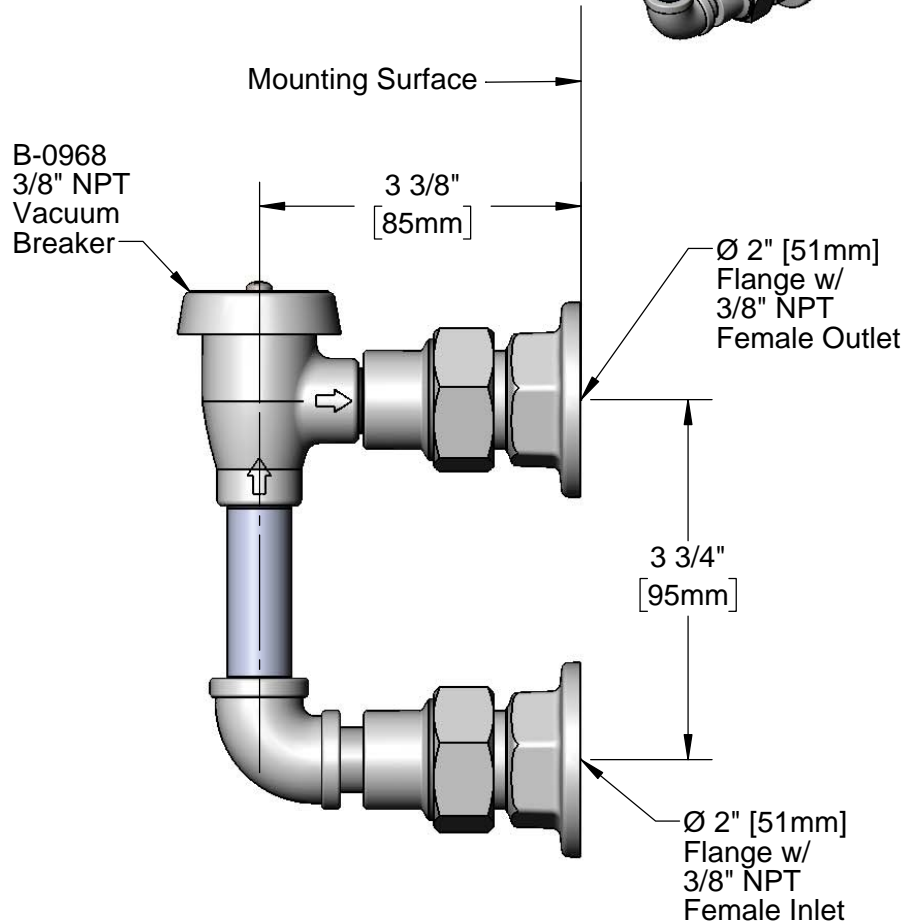
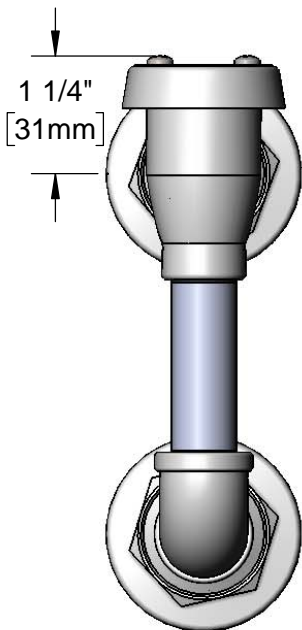
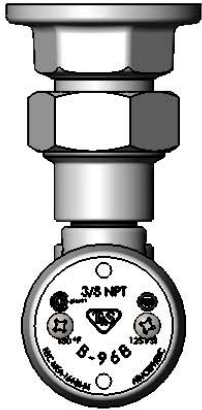
Job Name _____ Date _____

Model Specified _____ Quantity _____

Customer/Wholesaler _____

Contractor _____

Architect/Engineer _____



Product Specifications:
 3/8" NPT Atmospheric Vacuum Breaker, 3/8" NPT Inlet & Outlet,
 Polished Chrome

Product Compliance:
 ASME A112.18.1 / CSA B125.1
 NSF 61 - Section 9
 NSF 372 (Low Lead Content)
 ASSE 1001 (VB)



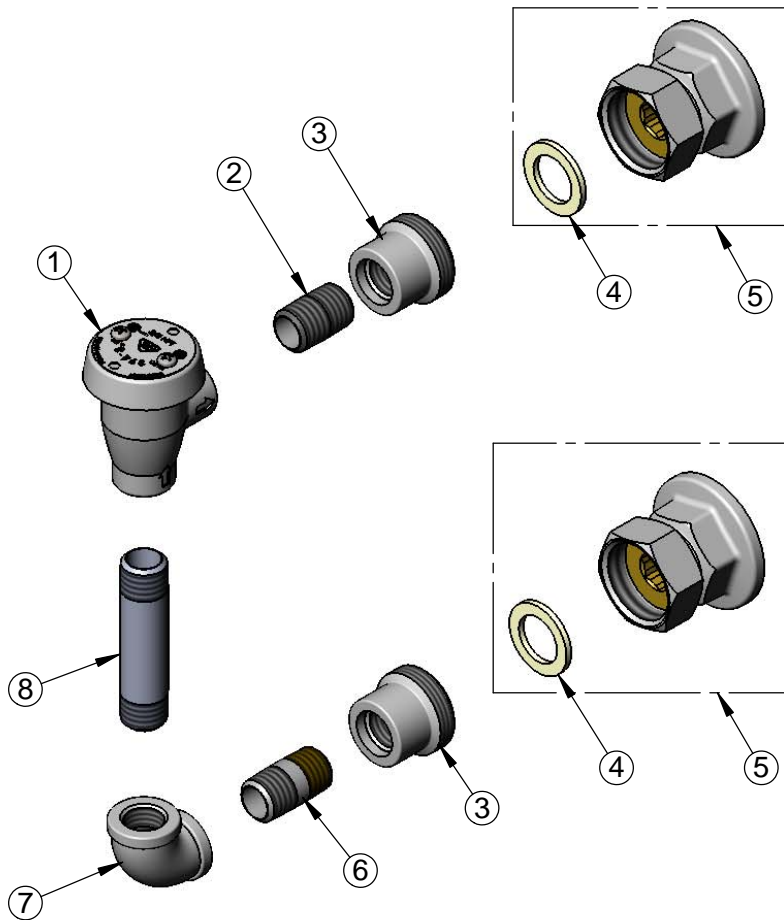
T&S BRASS AND BRONZE WORKS, INC.
 2 Saddleback Cove / P.O. Box 1088
 Travelers Rest, SC 29690

Model No.
B-0929

Item No.

Travelers Rest, SC: 800-476-4103 • Simi Valley, CA: 800-423-0150 • Fax: 864-834-3518 • www.tsbrass.com

ITEM NO.	SALES NO.	DESCRIPTION
1	B-0968	3/8" NPT Vacuum Breaker
2	002535-25	3/8" Close Nipple
3	000869-40	Union Male Half
4	001019-45	Coupling Nut Washer
5	009523-40	3/8" NPT Eccentric Female Flange
6	000355-40	Nipple, 3/8 NPT x 1 1/4
7	001355-40	Elbow, 3/8 NPT
8	001796-40	Nipple, 3/8 NPT x 2 3/4



Product Specifications:
 3/8" NPT Atmospheric Vacuum Breaker, 3/8" NPT Inlet & Outlet,
 Polished Chrome

Product Compliance:
 ASME A112.18.1 / CSA B125.1
 NSF 61 - Section 9
 NSF 372 (Low Lead Content)
 ASSE 1001 (VB)