



T&S BRASS AND BRONZE WORKS, INC.

2 Saddleback Cove / P.O. Box 1088
Travelers Rest, SC 29690

Model No.

B-0926

Item No.

Travelers Rest, SC: 800-476-4103 • Simi Valley, CA: 800-423-0150 • Fax: 864-834-3518 • www.tsbrass.com



ADA Compliant

This Space for Architect/Engineer Approval

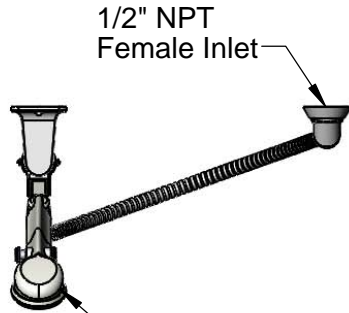
Job Name _____ Date _____

Model Specified _____ Quantity _____

Customer/Wholesaler _____

Contractor _____

Architect/Engineer _____



1/2" NPT
Female Inlet

Removable Hand Spray w/
2.0 GPM Flow Control Device
Installed in Handle Inlet



Thumb Valve Switches Between
Full Flow (2.0 GPM) and Water
Saving Trickle (0.5 GPM)

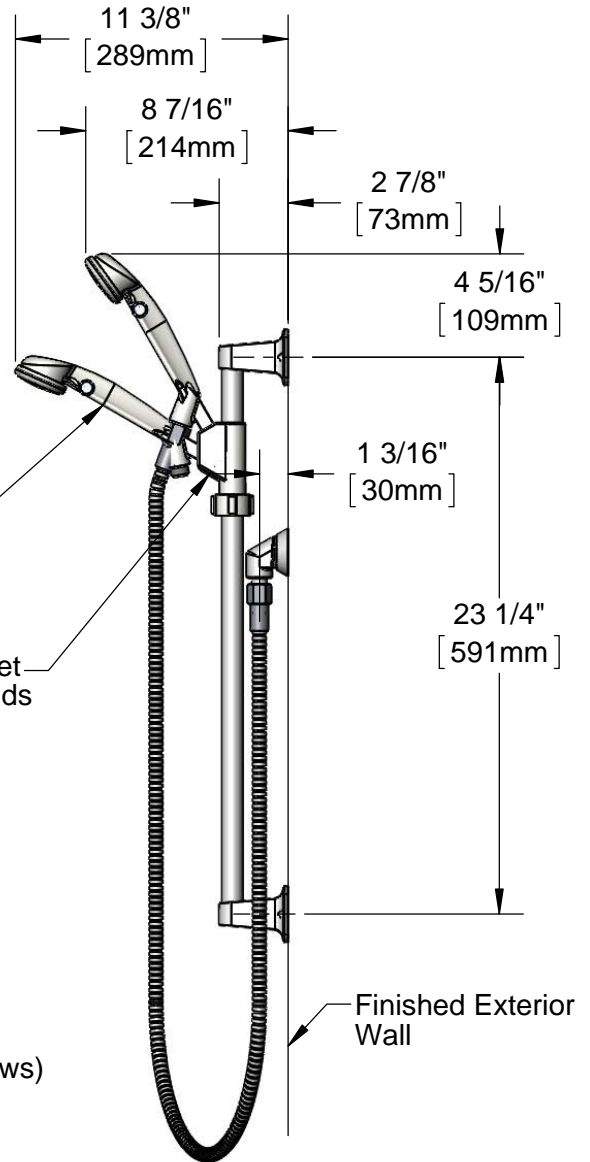
Wall Outlet w/
Ø2" [52mm] Flange

Alternate Hand
Spray Position

Adjustable Height Bracket
on Vertical Slide Bar Holds
Hand Spray at 2 Angles

60" [1524mm]
Flexible Stainless
Steel Hose

2 1/4" [57mm]
Square Brackets
(Includes Mounting Screws)



Finished Exterior
Wall

Product Specifications:

Shower Queen Hand Spray w/ 2.0 GPM Flow Control, Vertical Slide Bar w/ Adjustable Height Bracket, 1/2" NPT Female Flanged Wall Outlet & 60" Flexible Stainless Steel Hose

Product Compliance:

ASME A112.18.1 / CSA B125.1
NSF 61 Exempt (Non-Potable)
ANSI A117.1 (ADA)

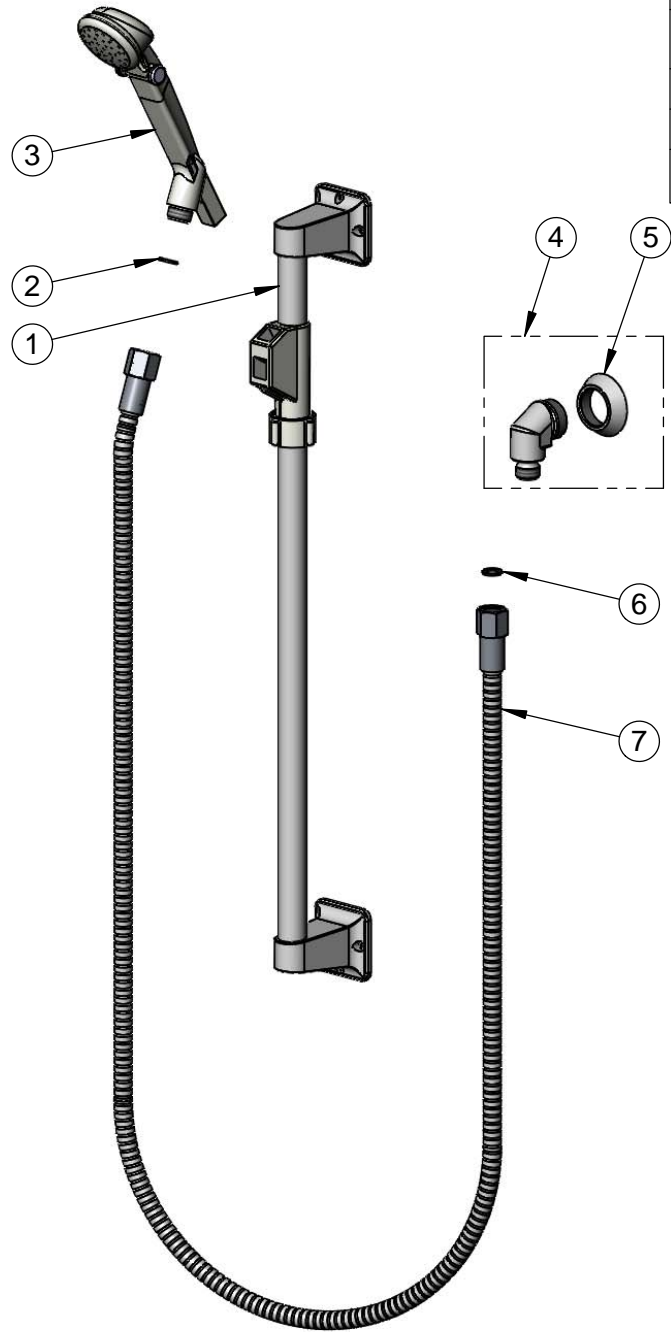


T&S BRASS AND BRONZE WORKS, INC.
 2 Saddleback Cove / P.O. Box 1088
 Travelers Rest, SC 29690

Model No.
B-0926
 Item No.

Travelers Rest, SC: 800-476-4103 • Simi Valley, CA: 800-423-0150 • Fax: 864-834-3518 • www.tsbrass.com

ITEM NO.	SALES NO.	DESCRIPTION
1	B-0940	Vertical Slide Bar w/ Adjustable Height Bracket
2	009037-45	Face Seal
3	SQ-0095	Hand Spray, Shower Queen
4	SQ-0094	Wall Outlet Assembly, 1/2" NPT Female Inlet
5	000101-40	Flange
6	010476-45	#27 Washer
7	013E-60H	60" Flexible Stainless Steel Hose



Product Specifications:
 Shower Queen Hand Spray w/ 2.0 GPM Flow Control, Vertical Slide Bar w/ Adjustable Height Bracket, 1/2" NPT Female Flanged Wall Outlet & 60" Flexible Stainless Steel Hose

Product Compliance:
 ASME A112.18.1 / CSA B125.1
 NSF 61 Exempt (Non-Potable)
 ANSI A117.1 (ADA)