



T&S BRASS AND BRONZE WORKS, INC.
 2 Saddleback Cove / P.O. Box 1088
 Travelers Rest, SC 29690

Model No.
B-0926-VB

Item No.

Travelers Rest, SC: 800-476-4103 • Simi Valley, CA: 800-423-0150 • Fax: 864-834-3518 • www.tsbrass.com



ADA Compliant

This Space for Architect/Engineer Approval

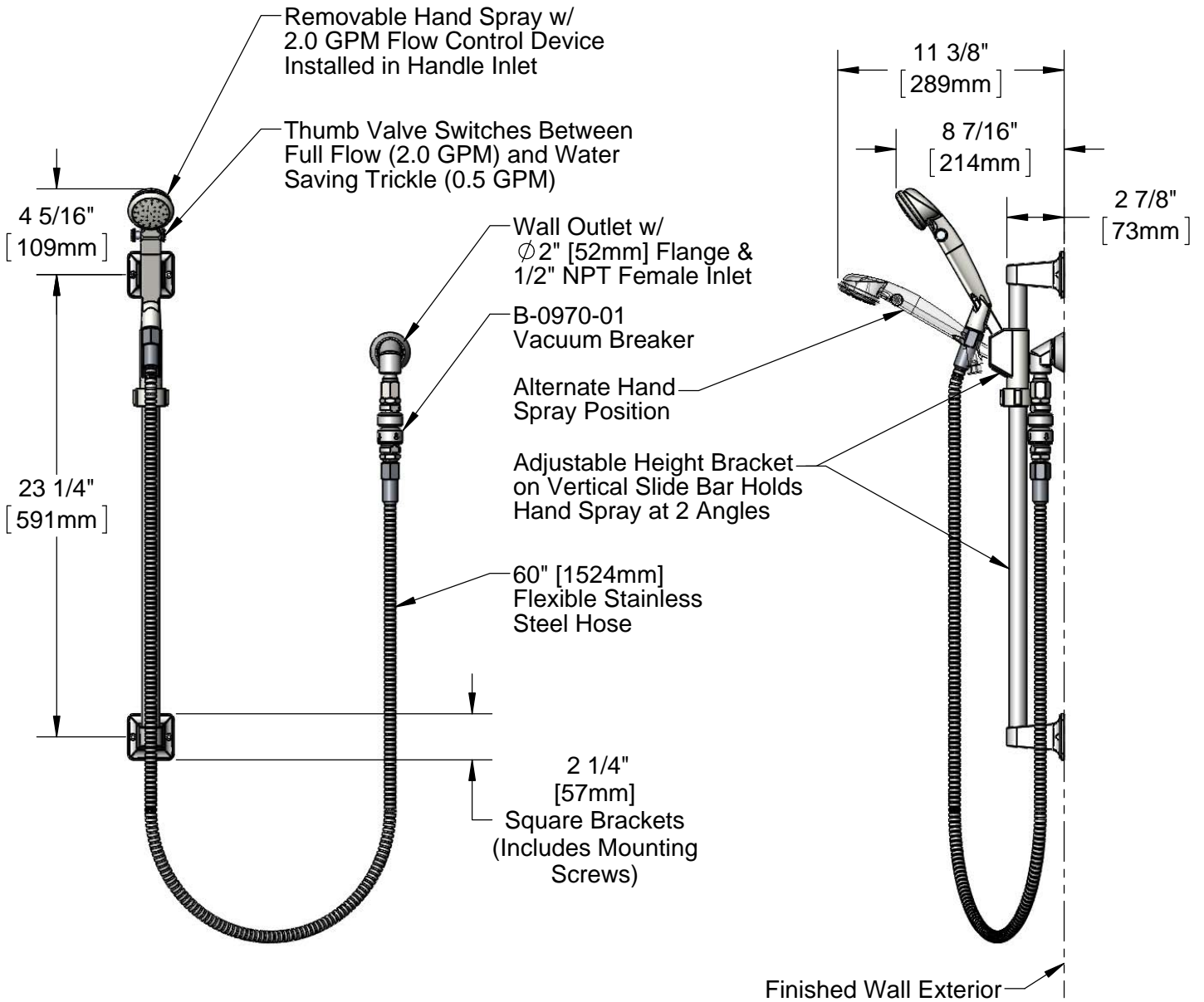
Job Name _____ Date _____

Model Specified _____ Quantity _____

Customer/Wholesaler _____

Contractor _____

Architect/Engineer _____



Product Specifications:

Shower Queen Hand Spray w/ 2.0 GPM Flow Control, Vertical Slide Bar w/ Adjustable Height Bracket, 1/2" NPT Female Flanged Wall Outlet, 60" Flexible Stainless Steel Hose & Vacuum Breaker

Product Compliance:

ASME A112.18.1 / CSA B125.1
 CSA B64.8
 ANSI A117.1 (ADA)
 NSF 61 Exempt (Non-Potable)



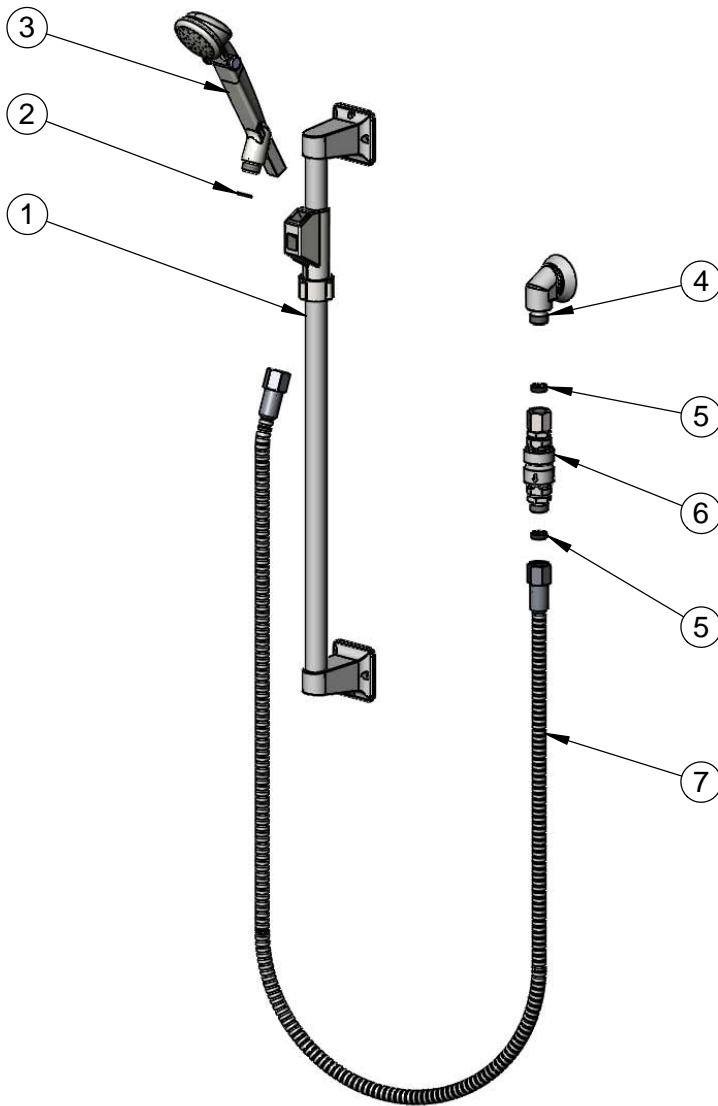
T&S BRASS AND BRONZE WORKS, INC.
 2 Saddleback Cove / P.O. Box 1088
 Travelers Rest, SC 29690

Model No.
B-0926-VB

Item No.

Travelers Rest, SC: 800-476-4103 • Simi Valley, CA: 800-423-0150 • Fax: 864-834-3518 • www.tsbrass.com

ITEM NO.	SALES NO.	DESCRIPTION
1	B-0940	Vertical Slide Bar w/ Adjustable Height Bracket
2	009037-45	Face Seal
3	SQ-0095	Hand Spray, Shower Queen
4	SQ-0094	1/2" Wall Outlet
5	010476-45	#27 Washer
6	B-0970-01	Vacuum Breaker
7	013E-60H	60" Flexible Stainless Steel Hose



Product Specifications:

Shower Queen Hand Spray w/ 2.0 GPM Flow Control, Vertical Slide Bar w/ Adjustable Height Bracket, 1/2" NPT Female Flanged Wall Outlet, 60" Flexible Stainless Steel Hose & Vacuum Breaker

Product Compliance:

ASME A112.18.1 / CSA B125.1
 CSA B64.8
 ANSI A117.1 (ADA)
 NSF 61 Exempt (Non-Potable)