



T&S BRASS AND BRONZE WORKS, INC.
 2 Saddleback Cove / P.O. Box 1088
 Travelers Rest, SC 29690

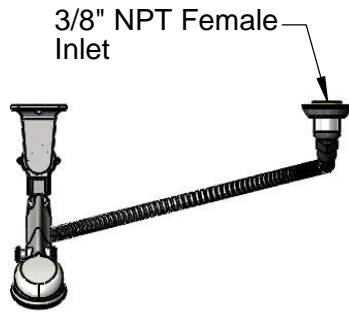
Model No.
B-0925

Item No.

Travelers Rest, SC: 800-476-4103 • Simi Valley, CA: 800-423-0150 • Fax: 864-834-3518 • www.tsbrass.com



ADA Compliant



3/8" NPT Female Inlet

This Space for Architect/Engineer Approval

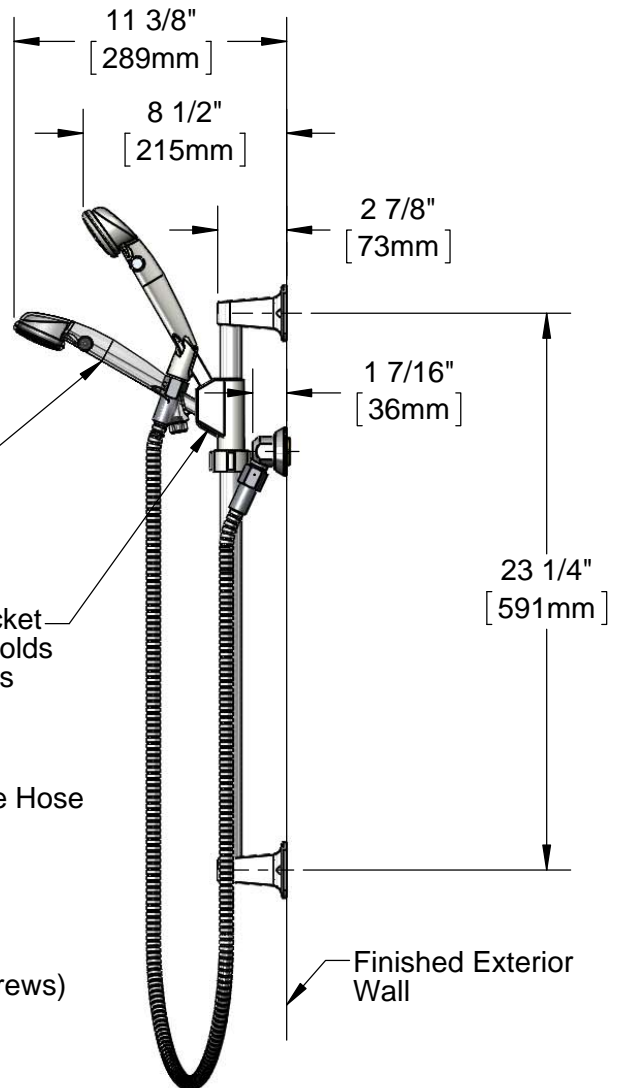
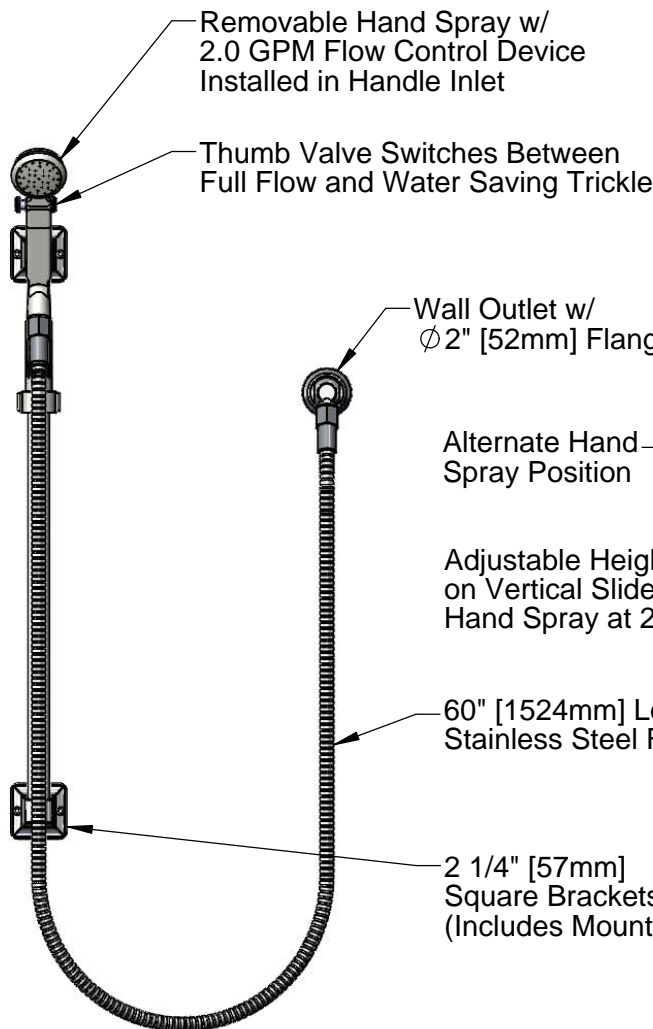
Job Name _____ Date _____

Model Specified _____ Quantity _____

Customer/Wholesaler _____

Contractor _____

Architect/Engineer _____



Product Specifications:
 Shower Queen Hand Spray Assembly w/ 2.0 GPM Flow Control,
 Vertical Slide Bar w/ Adjustable Height Bracket, Flanged Wall Outlet &
 60" Stainless Steel Flexible Hose

Drawn DMH	Checked KJG	Approved JHB
Scale: 1:8		Date: 07/22/13



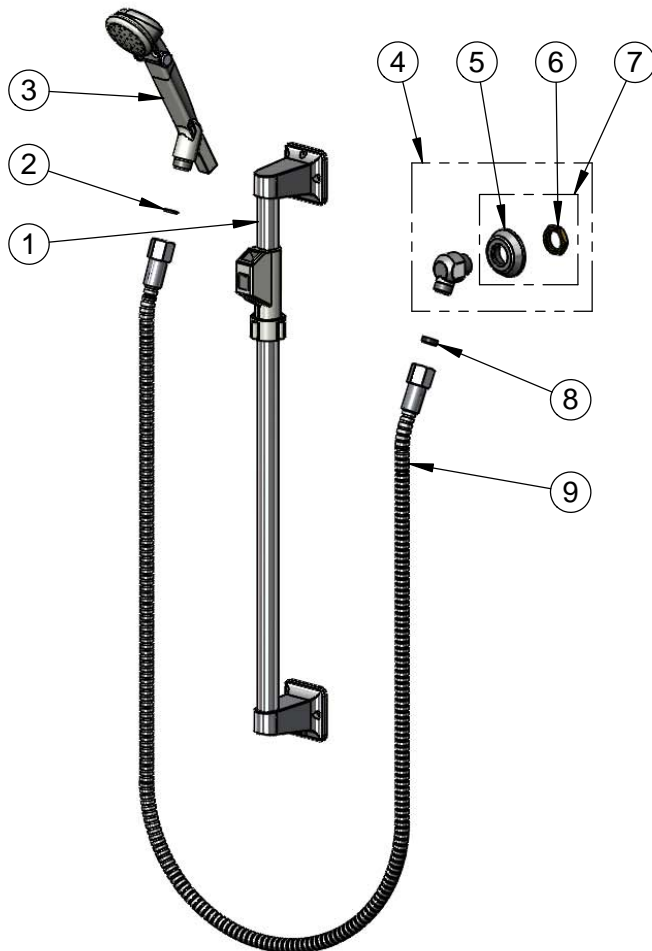
T&S BRASS AND BRONZE WORKS, INC.
 2 Saddleback Cove / P.O. Box 1088
 Travelers Rest, SC 29690

Model No.
B-0925

Item No.

Travelers Rest, SC: 800-476-4103 • Simi Valley, CA: 800-423-0150 • Fax: 864-834-3518 • www.tsbrass.com

ITEM NO.	SALES NO.	DESCRIPTION
1	B-0940	Vertical Slide Bar w/ Adjustable Height Bracket
2	009037-45	Face Seal
3	SQ-0095	Hand Spray, Shower Queen
4	SQ-0093	Wall Outlet Assembly
5	000023-40	Adjustable Wall Flange
6	000713-20	Lock Nut, B-1200
7	016782-40	Adjustable Wall Flange w/ Lock Nut
8	010476-45	#27 Washer
9	013E-60H	60" Flexible Stainless Steel Hose



Product Specifications:
 Shower Queen Hand Spray Assembly w/ 2.0 GPM Flow Control,
 Vertical Slide Bar w/ Adjustable Height Bracket, Flanged Wall Outlet &
 60" Stainless Steel Flexible Hose

Drawn DMH	Checked KJG	Approved JHB
Scale: NTS		Date: 07/22/13