



T&S BRASS AND BRONZE WORKS, INC.

2 Saddleback Cove / P.O. Box 1088
Travelers Rest, SC 29690

Model No.

B-0925-VB

Item No.

Travelers Rest, SC: 800-476-4103 • Simi Valley, CA: 800-423-0150 • Fax: 864-834-3518 • www.tsbrass.com

This Space for Architect/Engineer Approval

Job Name _____ Date _____

Model Specified _____ Quantity _____

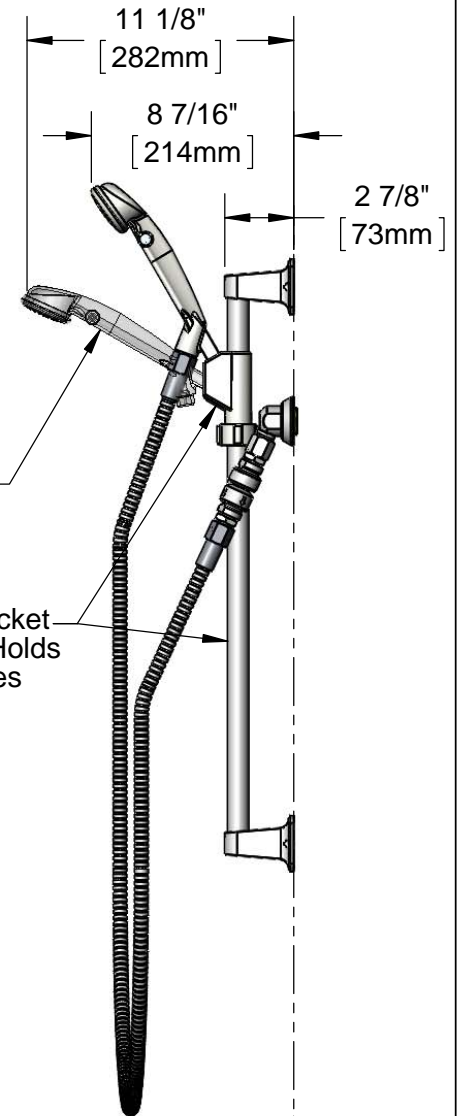
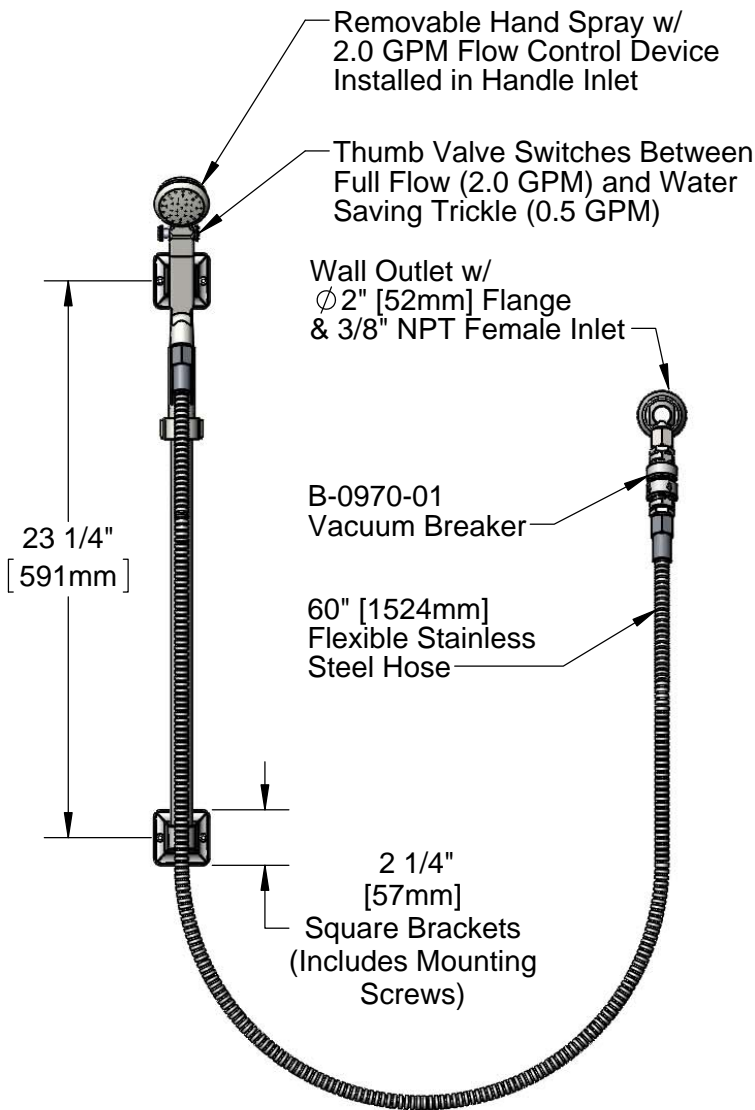
Customer/Wholesaler _____

Contractor _____

Architect/Engineer _____



ADA Compliant



Finished Wall Exterior

Product Specifications:

Shower Queen Hand Spray w/ 2.0 GPM Flow Control, Vertical Slide Bar w/ Adjustable Height Bracket, 3/8" NPT Flanged Wall Outlet, 60" Flexible Stainless Steel Hose & Vacuum Breaker

Product Compliance:

ASME A112.18.1 / CSA B125.1
NSF 61 Exempt (Non-Potable)
ANSI A117.1 (ADA)



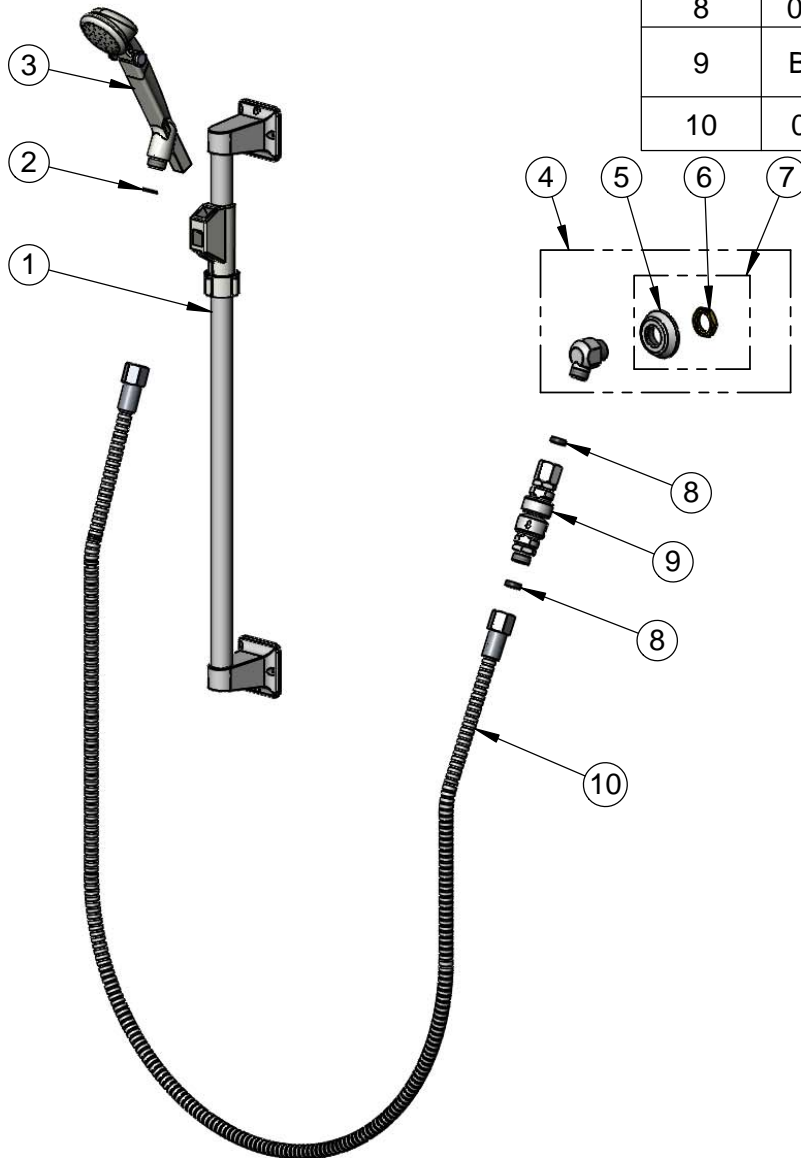
T&S BRASS AND BRONZE WORKS, INC.
 2 Saddleback Cove / P.O. Box 1088
 Travelers Rest, SC 29690

Model No.
B-0925-VB

Item No.

Travelers Rest, SC: 800-476-4103 • Simi Valley, CA: 800-423-0150 • Fax: 864-834-3518 • www.tsbrass.com

ITEM NO.	SALES NO.	DESCRIPTION
1	B-0940	Vertical Slide Bar w/ Adjustable Height Bracket
2	009037-45	Face Seal
3	SQ-0095	Hand Spray, Shower Queen
4	SQ-0093	Wall Outlet
5	000023-40	Adjustable Wall Flange
6	000713-20	Lock Nut
7	016782-40	Adjustable Wall Flange w/ Lock Nut
8	010476-45	#27 Washer
9	B-0970-01	Vacuum Breaker, 3/4"-14 Female x Male
10	013E-60H	60" Flexible Stainless Steel Hose



Product Specifications:
 Shower Queen Hand Spray w/ 2.0 GPM Flow Control, Vertical Slide Bar w/ Adjustable Height Bracket, 3/8" NPT Flanged Wall Outlet, 60" Flexible Stainless Steel Hose & Vacuum Breaker

Product Compliance:
 ASME A112.18.1 / CSA B125.1
 NSF 61 Exempt (Non-Potable)
 ANSI A117.1 (ADA)