



T&S BRASS AND BRONZE WORKS, INC.

2 Saddleback Cove / P.O. Box 1088
Travelers Rest, SC 29690

Model No.

B-0896

Item No.

Travelers Rest, SC: 800-476-4103 • Simi Valley, CA: 800-423-0150 • Fax: 864-834-3518 • www.tsbrass.com



ADA Compliant

This Space for Architect/Engineer Approval

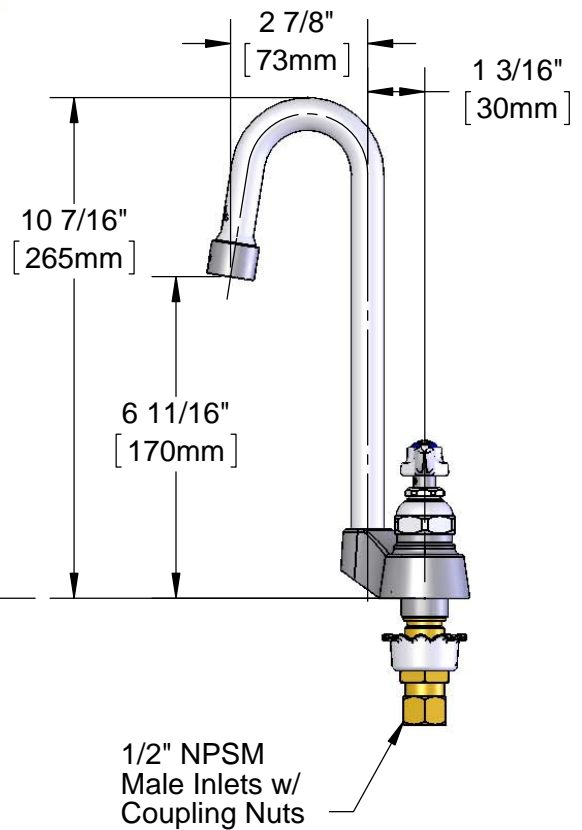
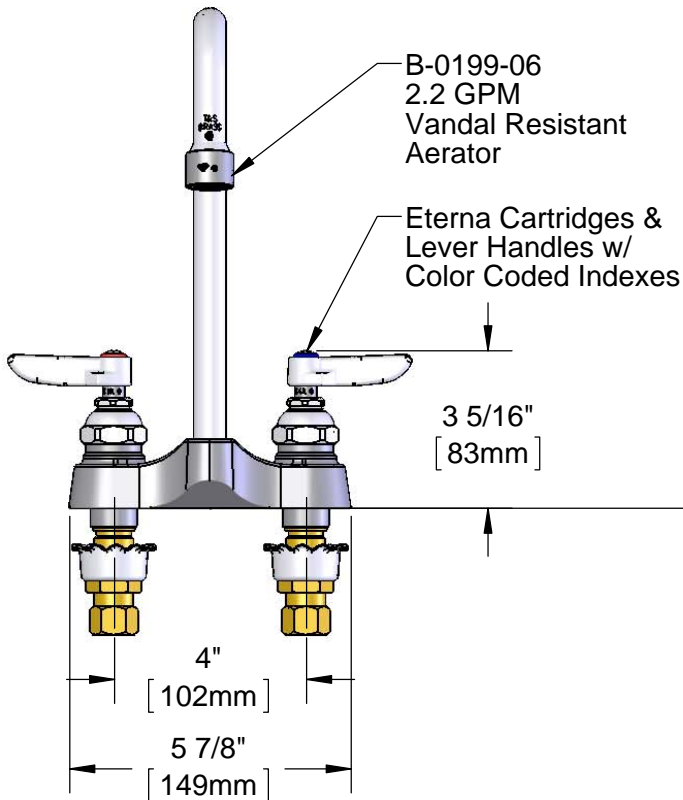
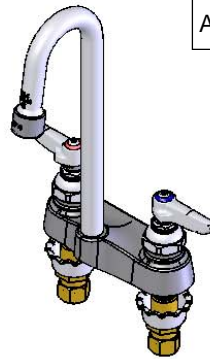
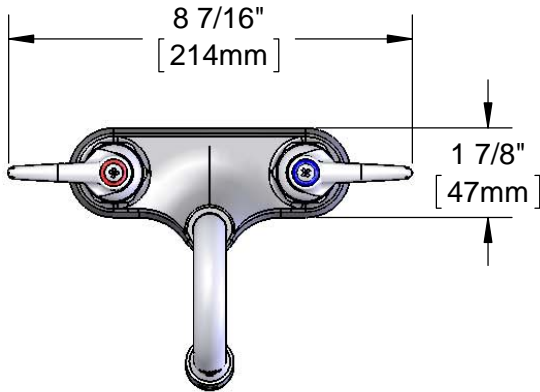
Job Name _____ Date _____

Model Specified _____ Quantity _____

Customer/Wholesaler _____

Contractor _____

Architect/Engineer _____



Rough-In Requirement:
(2) ϕ 1 1/8" [29mm] Mounting Holes

Product Specifications:
4" Centerset Mixing Faucet, Eterna Cartridges, Lever Handles, Rigid Gooseneck w/ 2.2 GPM Vandal Resistant Aerator and 1/2" NPSM Male Inlets

Product Compliance:
ASME A112.18.1 / CSA B125.1
NSF 61 - Section 9
NSF 372 (Low Lead Content)
ANSI A117.1 (ADA)

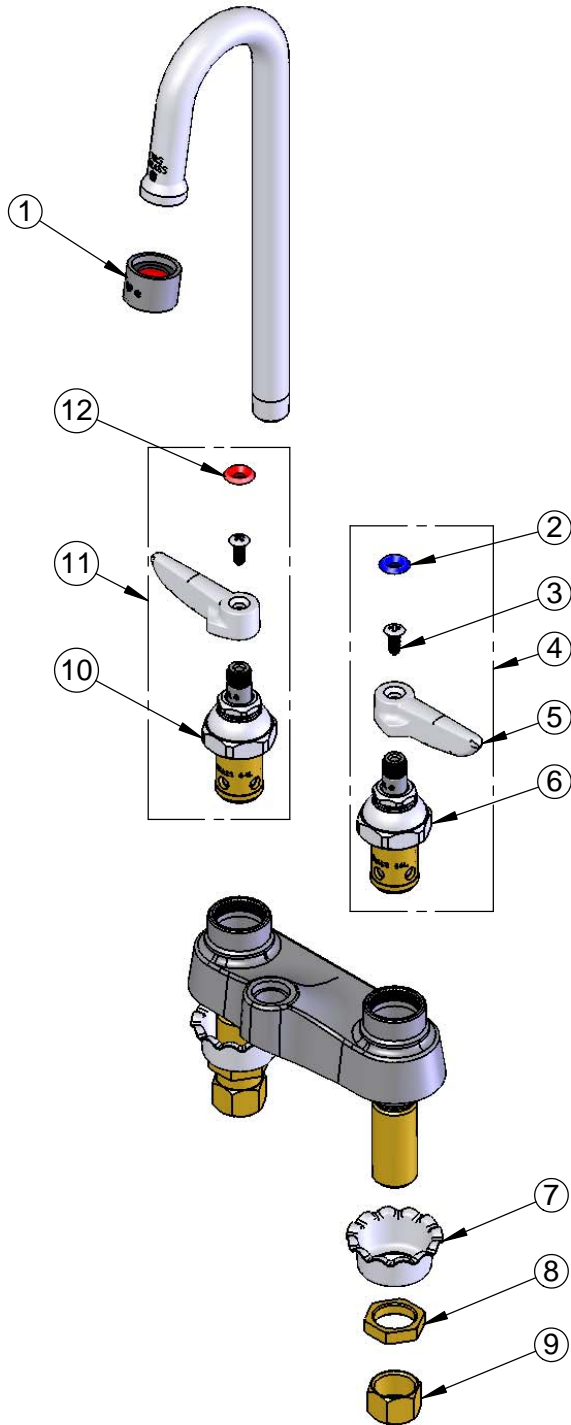


T&S BRASS AND BRONZE WORKS, INC.
 2 Saddleback Cove / P.O. Box 1088
 Travelers Rest, SC 29690

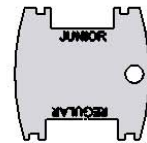
Model No.
B-0896

Item No.

Travelers Rest, SC: 800-476-4103 • Simi Valley, CA: 800-423-0150 • Fax: 864-834-3518 • www.tsbrass.com



ITEM NO.	SALES NO.	DESCRIPTION
1	B-0199-06	VR 2.2 GPM Aerator, 55/64-27 Female
2	001660-45	Blue Index-CW
3	000922-45	Lever Handle Screw
4	002711-40	Eterna Cartridge, LTC w/ Handle, Index & Screw
5	001638-45	Lever Handle
6	005959-40	Eterna Cartridge, LTC
7	001000-45	Rosette Washer
8	002954-45	Shank Lock Nut
9	000958-20	Coupling Nut
10	005960-40	Eterna Cartridge, RTC
11	002712-40	Eterna Cartridge, RTC w/ Handle, Index & Screw
12	001661-45	Red Index-HW



015425
 Vandal Resistant Key

Product Specifications:
 4" Centerset Mixing Faucet, Eterna Cartridges, Lever Handles, Rigid Gooseneck w/ 2.2 GPM Vandal Resistant Aerator and 1/2" NPSM Male Inlets

Product Compliance:
 ASME A112.18.1 / CSA B125.1
 NSF 61 - Section 9
 NSF 372 (Low Lead Content)
 ANSI A117.1 (ADA)