



T&S BRASS AND BRONZE WORKS, INC.

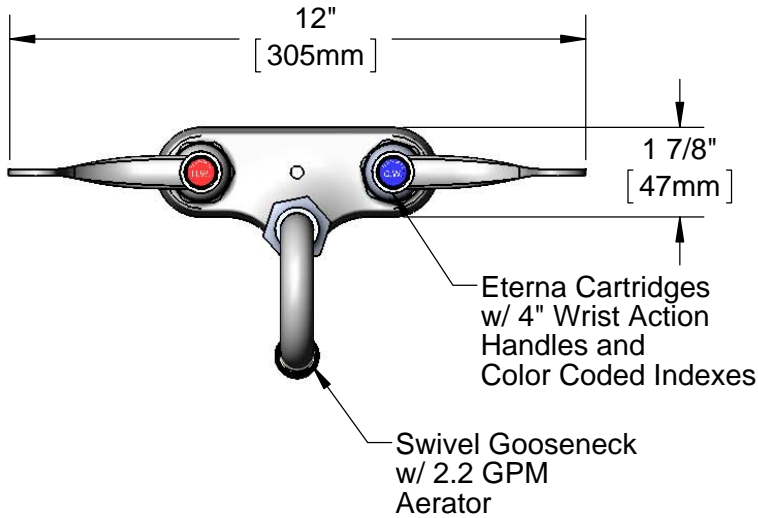
2 Saddleback Cove / P.O. Box 1088
Travelers Rest, SC 29690

Model No.

B-0893-414

Item No.

Travelers Rest, SC: 800-476-4103 • Simi Valley, CA: 800-423-0150 • Fax: 864-834-3518 • www.tsbrass.com



This Space for Architect/Engineer Approval

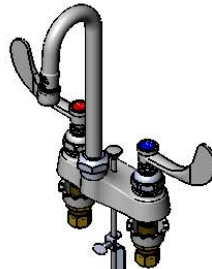
Job Name _____ Date _____

Model Specified _____ Quantity _____

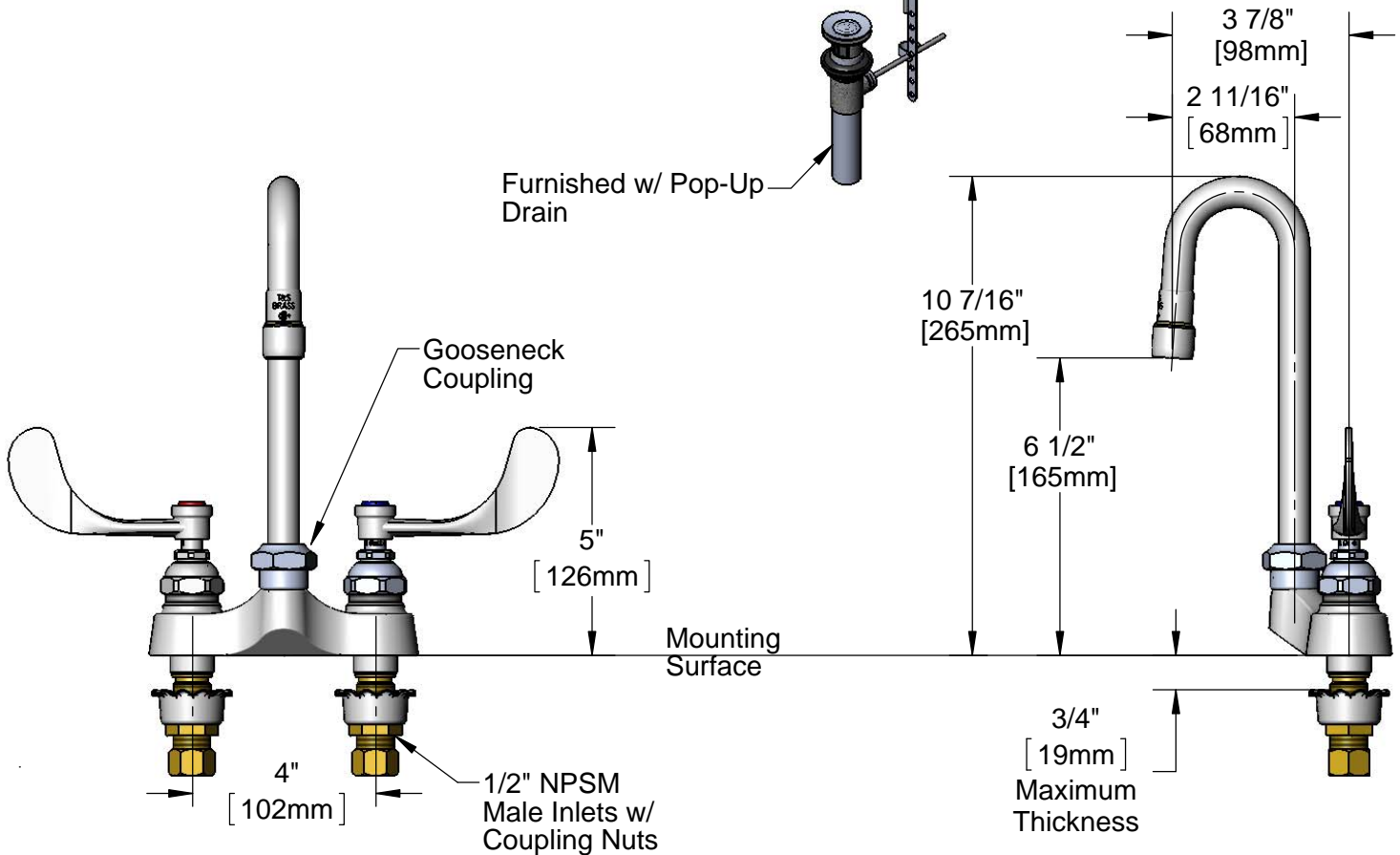
Customer/Wholesaler _____

Contractor _____

Architect/Engineer _____



ADA Compliant



Rough-In Requirements:
(2) ϕ 1 1/8" [29mm] Mounting Holes

Product Specifications:
4" Centerset Mixing Faucet w/ 1/2" NSPM Male Inlets, Eterna Cartridges, 4" Wrist Action Handles, Swivel Gooseneck, 2.2 GPM Aerator, Gooseneck Coupling & Pop-Up Drain

Product Compliance:
ASME A112.18.1 / CSA B125.1
NSF 61 - Section 9
NSF 372 (Low Lead Content)
ANSI A117.1 (ADA)



T&S BRASS AND BRONZE WORKS, INC.

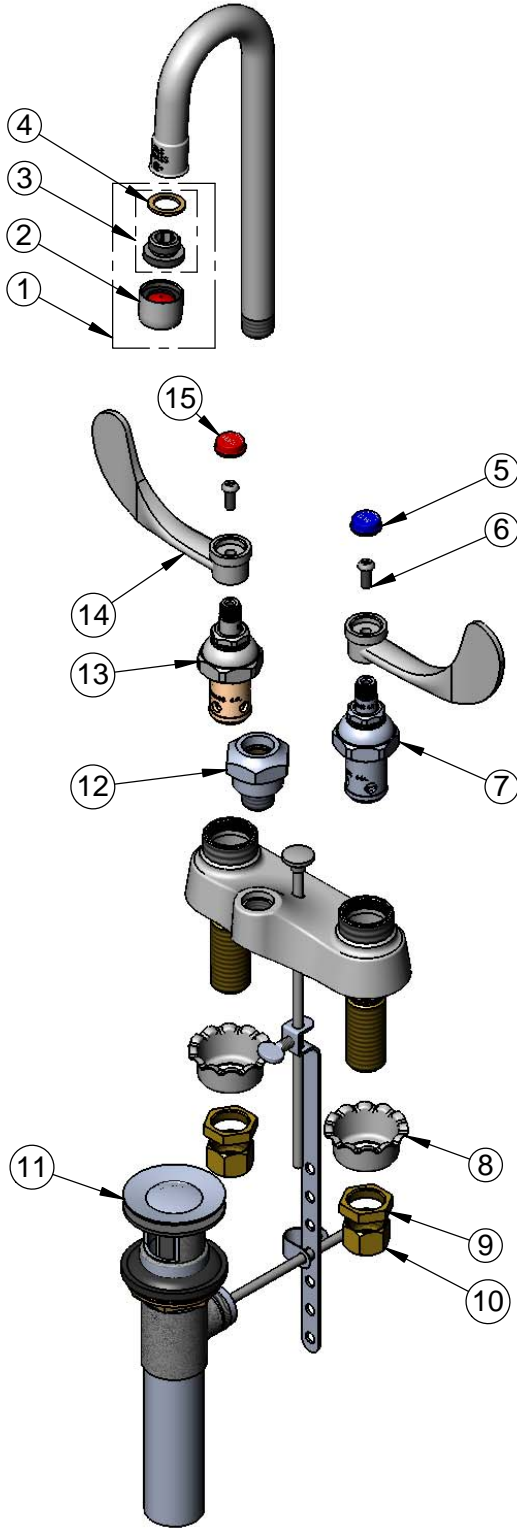
2 Saddleback Cove / P.O. Box 1088
Travelers Rest, SC 29690

Model No.

B-0893-414

Item No.

Travelers Rest, SC: 800-476-4103 • Simi Valley, CA: 800-423-0150 • Fax: 864-834-3518 • www.tsbrass.com



ITEM NO.	SALES NO.	DESCRIPTION
1	B-0199-02	Aerator, 2.2 GPM, 3/8" NPSM
2	B-0199-01	2.2 GPM Aerator, 55/64"-27 UN Female
3	044A	3/8" to Aerator Adapter
4	001043-45	Washer
5	001686-45	Blue Index - CW
6	000925-45	Lab Handle Screw
7	006009-40	Eterna Cartridge, LTC (Teflon)
8	001000-45	Rosette Washer
9	002954-45	Shank Lock Nut
10	000958-20	Coupling Nut
11	B-0898	Pop-Up Drain
12	000727-40	B-0414 Nut
13	006010-40	Eterna Cartridge, RTC (Teflon)
14	B-WH4	4" Wrist Action Handle
15	001194-45	Red Index - HW

Product Specifications:

4" Centerset Mixing Faucet w/ 1/2" NSPM Male Inlets, Eterna Cartridges, 4" Wrist Action Handles, Swivel Gooseneck, 2.2 GPM Aerator, Gooseneck Coupling & Pop-Up Drain

Product Compliance:

ASME A112.18.1 / CSA B125.1
NSF 61 - Section 9
NSF 372 (Low Lead Content)
ANSI A117.1 (ADA)