



T&S BRASS AND BRONZE WORKS, INC.

2 Saddleback Cove / P.O. Box 1088
Travelers Rest, SC 29690

Model No.

B-0892-WS

Item No.

Travelers Rest, SC: 800-476-4103 • Simi Valley, CA: 800-423-0150 • Fax: 864-834-3518 • www.tsbrass.com



ADA Compliant



This Space for Architect/Engineer Approval

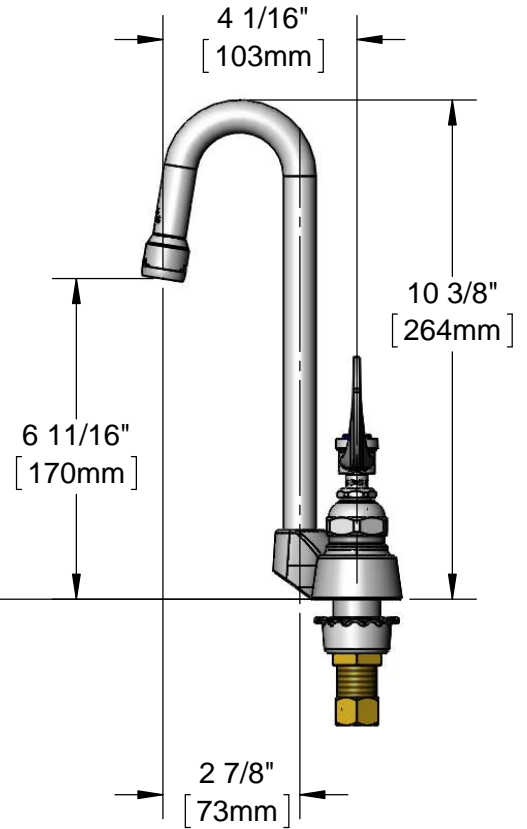
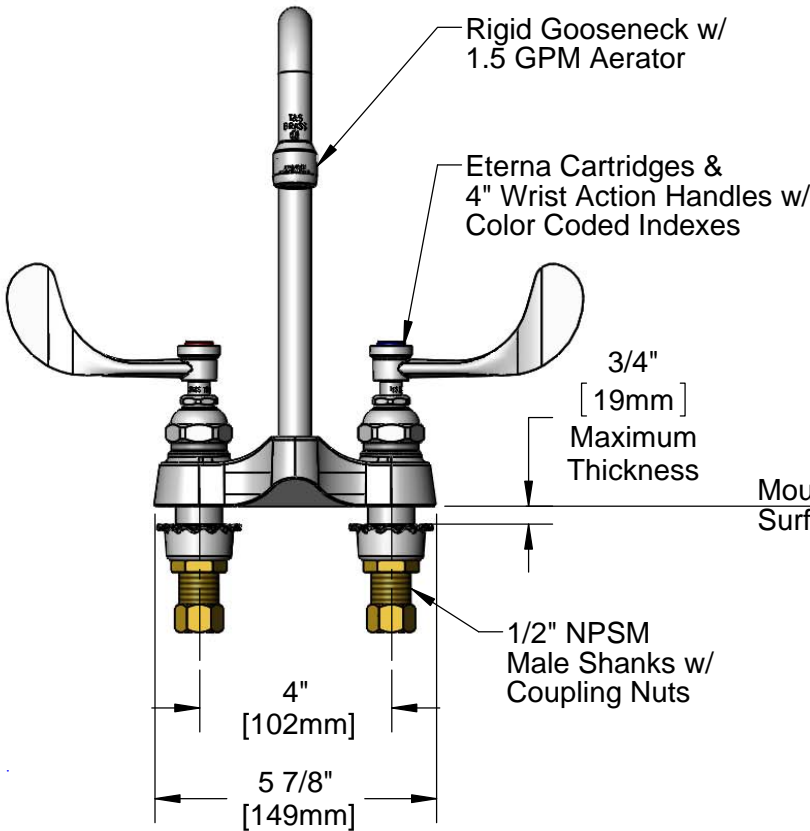
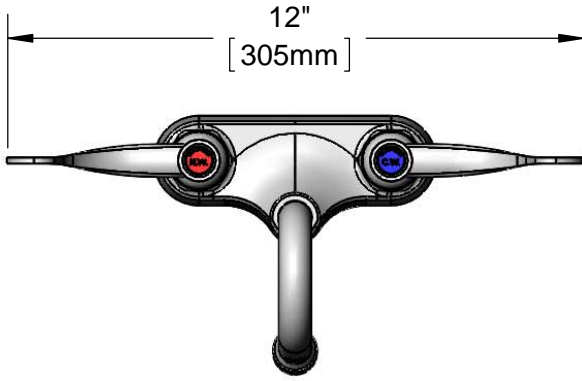
Job Name _____ Date _____

Model Specified _____ Quantity _____

Customer/Wholesaler _____

Contractor _____

Architect/Engineer _____



Rough-in Requirement:
(2) \varnothing 1 1/8" [29mm] Mounting Holes

Product Specifications:
4" Centerset Mixing Faucet w/ 1/2" NPSM Male Inlets, Eterna Cartridges, 4" Wrist Action Handles, Rigid Gooseneck, 1.5 GPM Aerator

Product Compliance:
ASME A112.18.1 / CSA B125.1
NSF 61 - Section 9
NSF 372 (Low Lead Content)
ANSI A117.1 (ADA)
EPA WaterSense



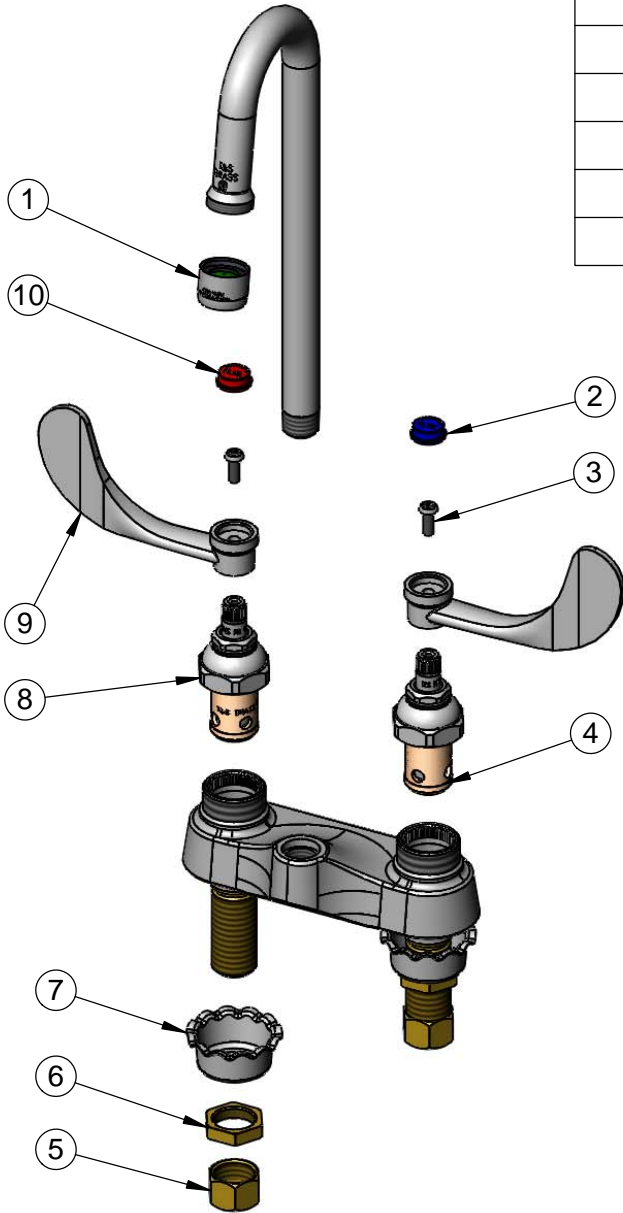
T&S BRASS AND BRONZE WORKS, INC.
 2 Saddleback Cove / P.O. Box 1088
 Travelers Rest, SC 29690

Model No.
B-0892-WS

Item No.

Travelers Rest, SC: 800-476-4103 • Simi Valley, CA: 800-423-0150 • Fax: 864-834-3518 • www.tsbrass.com

ITEM NO.	SALES NO.	DESCRIPTION
1	B-0199-01-WS	1.5 GPM Aerator, 55/64-27 Female
2	001686-45	Blue Index - CW
3	000925-45	Lab Handle Screw
4	006009-40	Eterna Cartridge, LTC
5	000958-20	Coupling Nut
6	002954-45	Shank Lock Nut
7	001000-45	Rosette Washer
8	006010-40	Eterna Cartridge, RTC
9	B-WH4	4" Wrist Action Handle
10	001194-45	Red Index - HW



Product Specifications:
 4" Centerset Mixing Faucet w/ 1/2" NPSM Male Inlets, Eterna Cartridges,
 4" Wrist Action Handles, Rigid Gooseneck, 1.5 GPM Aerator

Product Compliance:
 ASME A112.18.1 / CSA B125.1
 NSF 61 - Section 9
 NSF 372 (Low Lead Content)
 ANSI A117.1 (ADA)
 EPA WaterSense