

T&S BRASS AND BRONZE WORKS, INC.

2 Saddleback Cove / P.O. Box 1088
Travelers Rest, SC 29690

Model No.

B-0892-VF22

Item No.

Travelers Rest, SC: 800-476-4103 • Simi Valley, CA: 800-423-0150 • Fax: 864-834-3518 • www.tsbrass.com



ADA Compliant

This Space for Architect/Engineer Approval

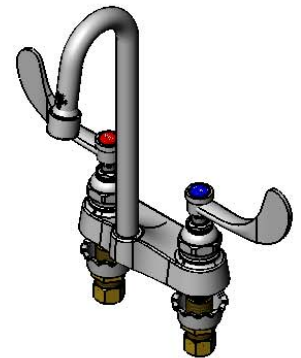
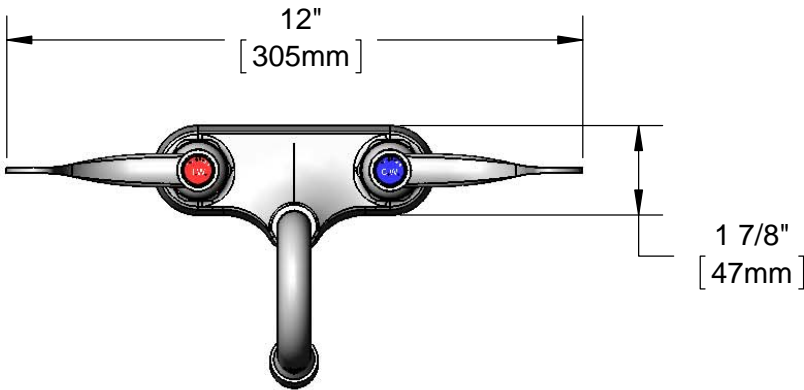
Job Name _____ Date _____

Model Specified _____ Quantity _____

Customer/Wholesaler _____

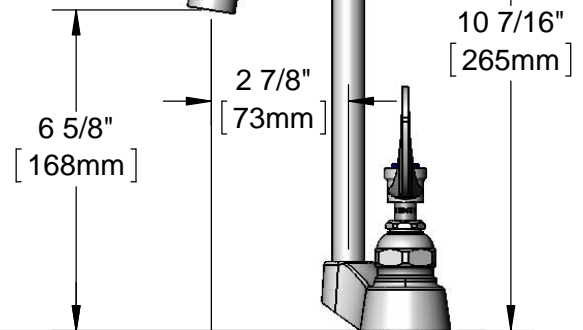
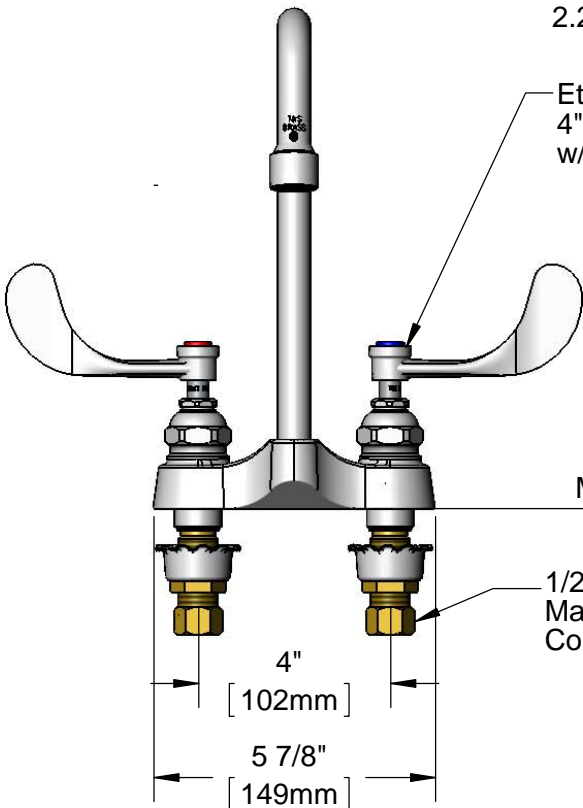
Contractor _____

Architect/Engineer _____



Rigid Gooseneck w/
Vandal Resistant
2.2 GPM Aerator

Eterna Cartridges &
4" Wrist Action Handles
w/ Color Coded Indexes



Mounting Surface

1/2" NPSM
Male Shanks w/
Coupling Nuts

3/4"
[19mm]
Maximum
Thickness

Rough-In Requirement:
(2) ϕ 1 1/8" [29mm] Mounting Holes

Product Specifications:

4" Centerset Mixing Faucet w/ 1/2" NPSM Male Shanks, Eterna Cartridges, 4" Wrist Action Handles, Rigid Gooseneck w/ Vandal Resistant 2.2 GPM Aerator

Drawn

KJG

Checked

DMH

Approved

JHB

Scale:

1:4

Date:

10/4/2012



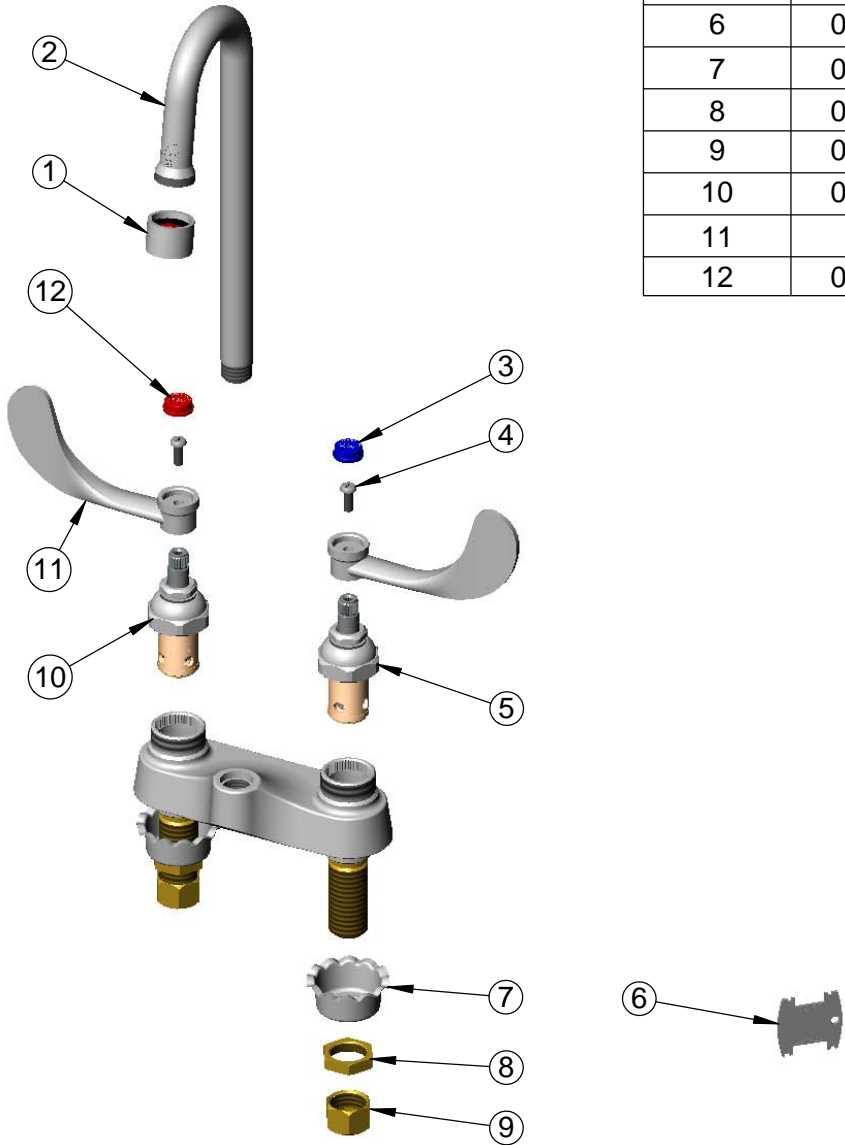
T&S BRASS AND BRONZE WORKS, INC.
 2 Saddleback Cove / P.O. Box 1088
 Travelers Rest, SC 29690

Model No.
B-0892-VF22

Item No.

Travelers Rest, SC: 800-476-4103 • Simi Valley, CA: 800-423-0150 • Fax: 864-834-3518 • www.tsbrass.com

ITEM NO.	SALES NO.	DESCRIPTION
1	B-0199-06	VR 2.2 GPM Aerator, 55/64"-27UN Female
2	005028-40	Gooseneck
3	001686-45	Blue CW Index
4	000925-45	Lab Handle Screw
5	006009-40	Eterna Cartridge, LTC (Teflon)
6	015425-45	Vandal Resistant Key
7	001000-45	Rosette Washer
8	002954-45	Shank Lock Nut
9	000958-20	Coupling Nut
10	006010-40	Eterna Cartridge, RTC (Teflon)
11	B-WH4	4" Wrist Action Handle
12	001194-45	Red HW Index



Product Specifications:
 4" Centerset Mixing Faucet w/ 1/2" NPSM Male Shanks, Eterna Cartridges, 4" Wrist Action Handles, Rigid Gooseneck w/ Vandal Resistant 2.2 GPM Aerator

Drawn KJG	Checked DMH	Approved JHB
Scale: NTS		Date: 10/4/2012