



T&S BRASS AND BRONZE WORKS, INC.

2 Saddleback Cove / P.O. Box 1088
Travelers Rest, SC 29690

Model No.

B-0892-VF05

Item No.

Travelers Rest, SC: 800-476-4103 • Simi Valley, CA: 800-423-0150 • Fax: 864-834-3518 • www.tsbrass.com



ADA Compliant

This Space for Architect/Engineer Approval

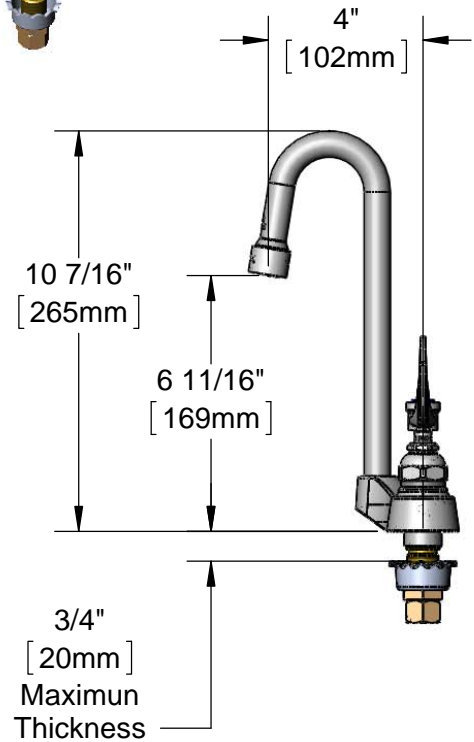
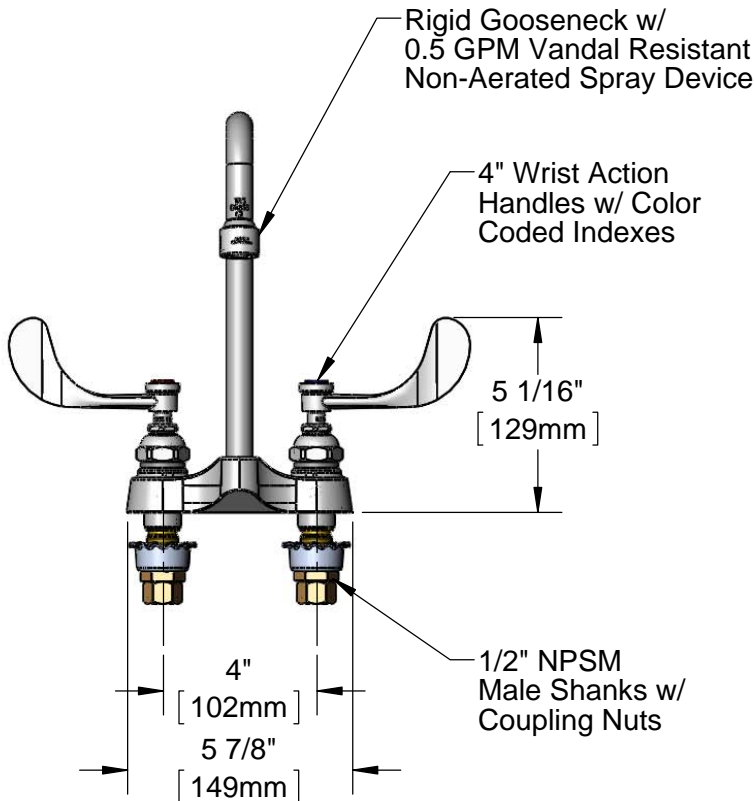
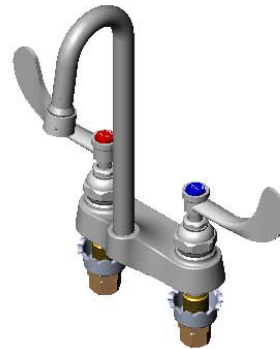
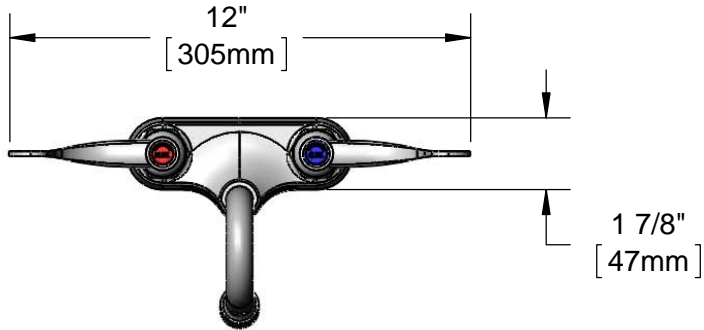
Job Name _____ Date _____

Model Specified _____ Quantity _____

Customer/Wholesaler _____

Contractor _____

Architect/Engineer _____



Rough-in Requirement:
(2) \varnothing 1 1/8" [29mm] Mounting Holes

Product Specifications:

4" Centerset Deck Mount Faucet, Eterna Cartridges w/ 0.5 GPM Vandal Resistant Non-Aerated Spray Device, 4" Wrist Action Handles, Rigid Gooseneck & 1/2" NPSM Male Inlets w/ Coupling Nuts

Product Compliance:

ASME A112.18.1 / CSA B125.1
NSF 61 - Section 9
NSF 372 (Low Lead Content)
ANSI A117.1 (ADA)



T&S BRASS AND BRONZE WORKS, INC.

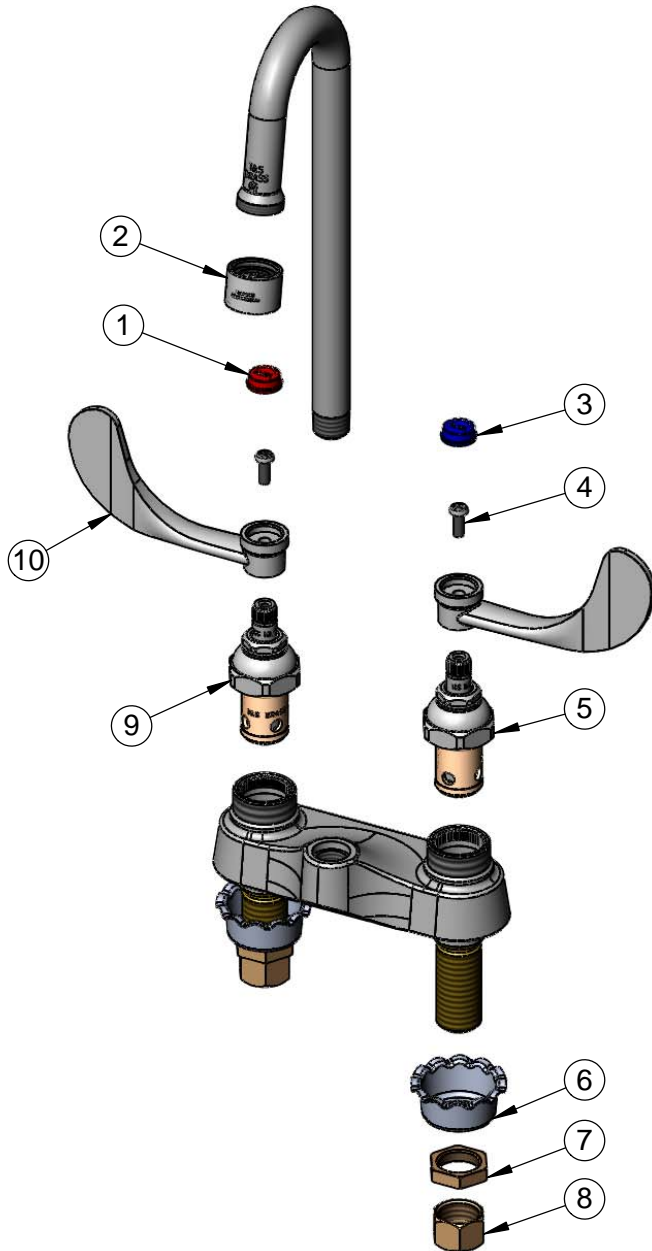
2 Saddleback Cove / P.O. Box 1088
Travelers Rest, SC 29690

Model No.

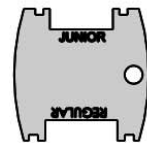
B-0892-VF05

Item No.

Travelers Rest, SC: 800-476-4103 • Simi Valley, CA: 800-423-0150 • Fax: 864-834-3518 • www.tsbrass.com



ITEM NO.	SALES NO.	DESCRIPTION
1	001194-45	Red Index - HW
2	B-0199-06-N05	0.5 GPM VR Spray Device
3	001686-45	Blue Index - CW
4	000925-45	Lab Handle Screw
5	006009-40	Eterna Cartridge, LTC (Teflon)
6	001000-45	Rosette Washer
7	002954-45	Shank Lock Nut
8	000958-20	Coupling Nut
9	006010-40	Eterna Cartridge, RTC (Teflon)
10	B-WH4	4" Wrist Action Handle



015425-45
Vandal Resistant Key

Product Specifications:

4" Centerset Deck Mount Faucet, Eterna Cartridges w/ 0.5 GPM Vandal Resistant Non-Aerated Spray Device, 4" Wrist Action Handles, Rigid Gooseneck & 1/2" NPSM Male Inlets w/ Coupling Nuts

Product Compliance:

ASME A112.18.1 / CSA B125.1
NSF 61 - Section 9
NSF 372 (Low Lead Content)
ANSI A117.1 (ADA)