



T&S BRASS AND BRONZE WORKS, INC.

2 Saddleback Cove / P.O. Box 1088
Travelers Rest, SC 29690

Model No.

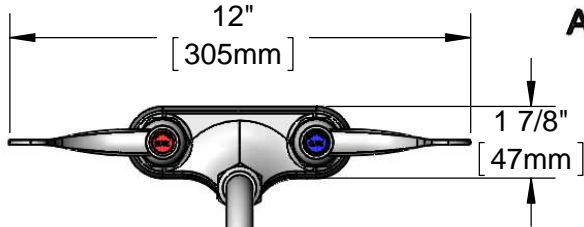
B-0892-QT-VF05

Item No.

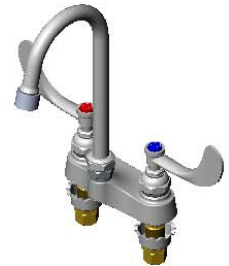
Travelers Rest, SC: 800-476-4103 • Simi Valley, CA: 800-423-0150 • Fax: 864-834-3518 • www.tsbrass.com



ADA Compliant



Swivel Gooseneck w/
B-0199-06-N05
0.5 GPM Vandal Resistant
Non-Aerated Spray Device
(Optional Swivel/Rigid
Washer Included)



This Space for Architect/Engineer Approval

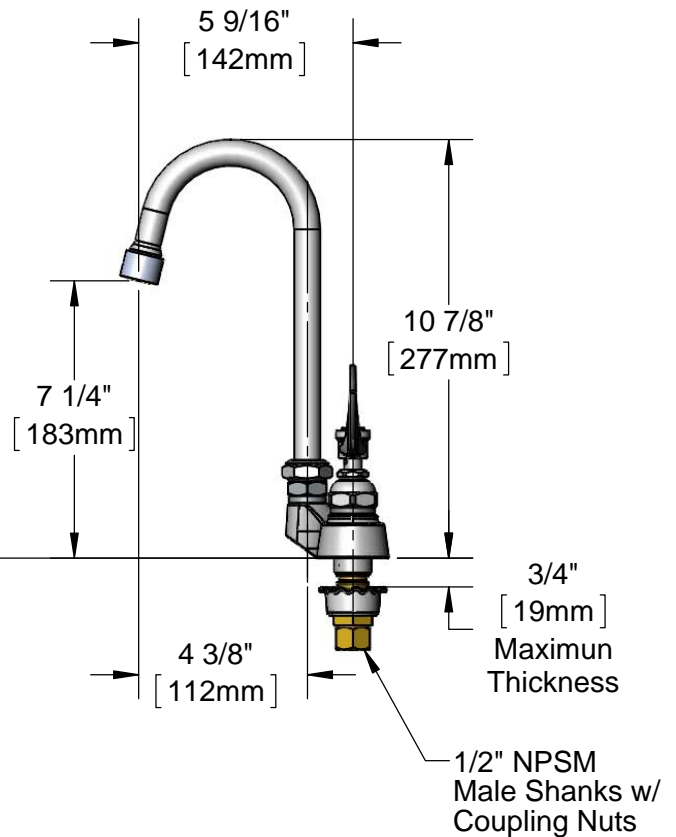
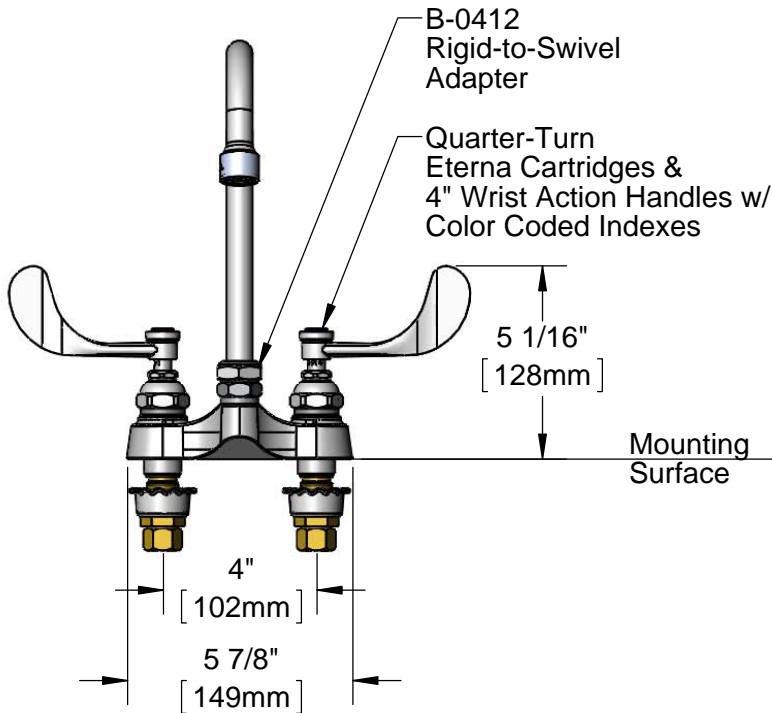
Job Name _____ Date _____

Model Specified _____ Quantity _____

Customer/Wholesaler _____

Contractor _____

Architect/Engineer _____



Rough-in Requirement:
(2) ϕ 1 1/8" [29mm] Mounting Holes

Product Specifications:

4" Centerset Deck Mount Mixing Faucet, Quarter-Turn Eterna Cartridges, 4" Wrist Action Handles, Swivel Gooseneck, 0.5 GPM Vandal Resistant Non-Aerated Spray Device & 1/2" NPSM Shanks

Product Compliance:

ASME A112.18.1 / CSA B125.1
NSF 61 - Section 9
NSF 372 (Low Lead Content)
ANSI A117.1 (ADA)



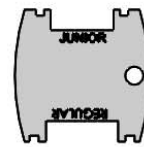
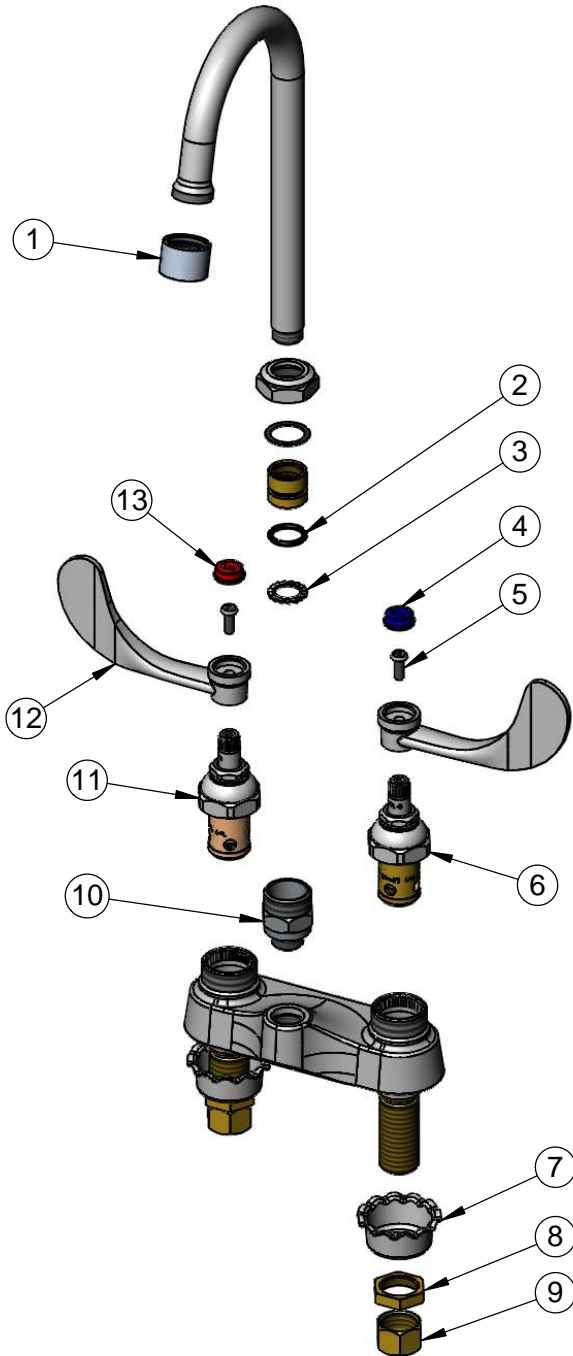
T&S BRASS AND BRONZE WORKS, INC.
 2 Saddleback Cove / P.O. Box 1088
 Travelers Rest, SC 29690

Model No.
B-0892-QT-VF05

Item No.

Travelers Rest, SC: 800-476-4103 • Simi Valley, CA: 800-423-0150 • Fax: 864-834-3518 • www.tsbrass.com

ITEM NO.	SALES NO.	DESCRIPTION
1	B-0199-06-N05	0.5 GPM VR Non-Aerated Spray Device, 55/64-27 Female
2	001074-45	O-Ring
3	014200-45	Star Washer, Anti-Rotation
4	001686-45	Blue Index - CW
5	000925-45	Lab Handle Screw
6	006009-40QT	Quarter-Turn Eterna Cartridge LTC (Teflon)
7	001000-45	Rosette Washer
8	002954-45	Shank Lock Nut
9	000958-20	Coupling Nut
10	B-0412	Rigid to Swivel Adapter
11	006010-40QT	Quarter-Turn Eterna Cartridge RTC (Teflon)
12	B-WH4	4" Wrist Action Handle
13	001194-45	Red Index - HW



015425-45
 Vandal Resistant Key
 (Included with Spray Device)

Product Specifications:
 4" Centerset Deck Mount Mixing Faucet , Quarter-Turn Eterna Cartridges,
 4" Wrist Action Handles, Swivel Gooseneck, 0.5 GPM Vandal
 Resistant Non-Aerated Spray Device & 1/2" NPSM Shanks

Product Compliance:
 ASME A112.18.1 / CSA B125.1
 NSF 61 - Section 9
 NSF 372 (Low Lead Content)
 ANSI A117.1 (ADA)