



T&S BRASS AND BRONZE WORKS, INC.
 2 Saddleback Cove / P.O. Box 1088
 Travelers Rest, SC 29690

Model No.

B-0892-LN

Item No.

Travelers Rest, SC: 800-476-4103 • Simi Valley, CA: 800-423-0150 • Fax: 864-834-3518 • www.tsbrass.com



ADA Compliant

This Space for Architect/Engineer Approval

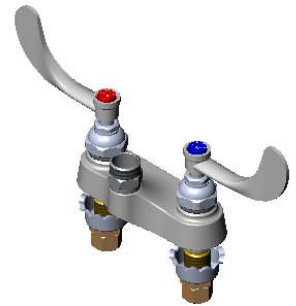
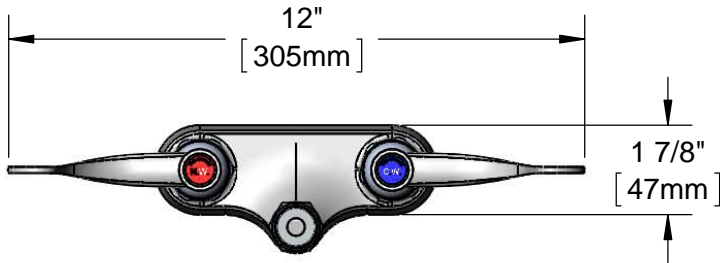
Job Name _____ Date _____

Model Specified _____ Quantity _____

Customer/Wholesaler _____

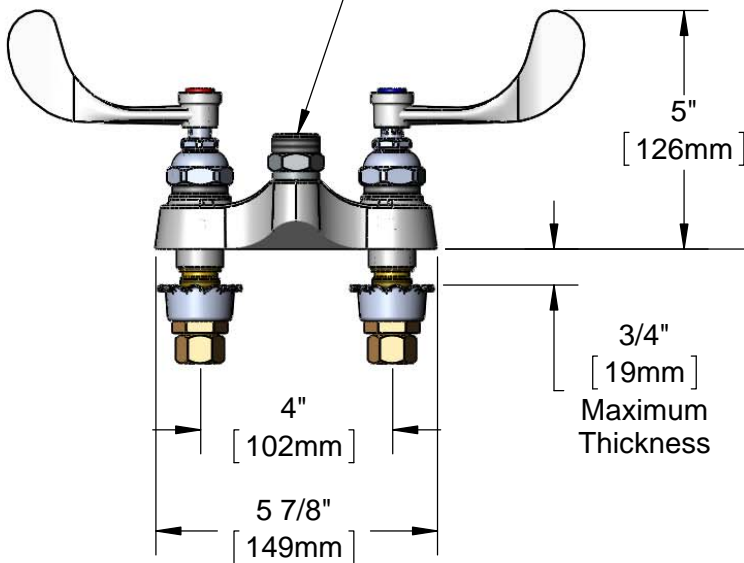
Contractor _____

Architect/Engineer _____



Rigid to Swivel Adapter
 Accepts Standard T&S
 Swing Nozzles

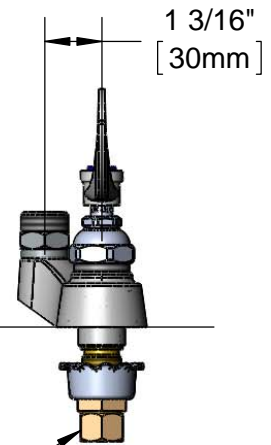
Eterna Cartridges w/
 4" Wrist Action Handles
 & Color Coded Indexes



Mounting Surface

3/4"
 [19mm]
 Maximum
 Thickness

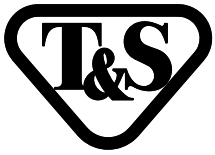
1/2" NPSM
 Male Inlets w/
 Coupling Nuts



Rough-In Requirement:
 (2) ϕ 1 1/8" [29mm] Mounting Holes

Product Specifications:
 4" Centerset Deck Mount Mixing Faucet, Eterna Cartridges, 4" Wrist Action
 Handles, Rigid to Swivel Adapter & 1/2" NPSM Male Inlets, Less Nozzle

Product Compliance:
 ASME A112.18.1 / CSA B125.1
 NSF 61 - Section 9
 NSF 372 (Low Lead Content)
 ANSI A117.1 (ADA)



T&S BRASS AND BRONZE WORKS, INC.

2 Saddleback Cove / P.O. Box 1088
Travelers Rest, SC 29690

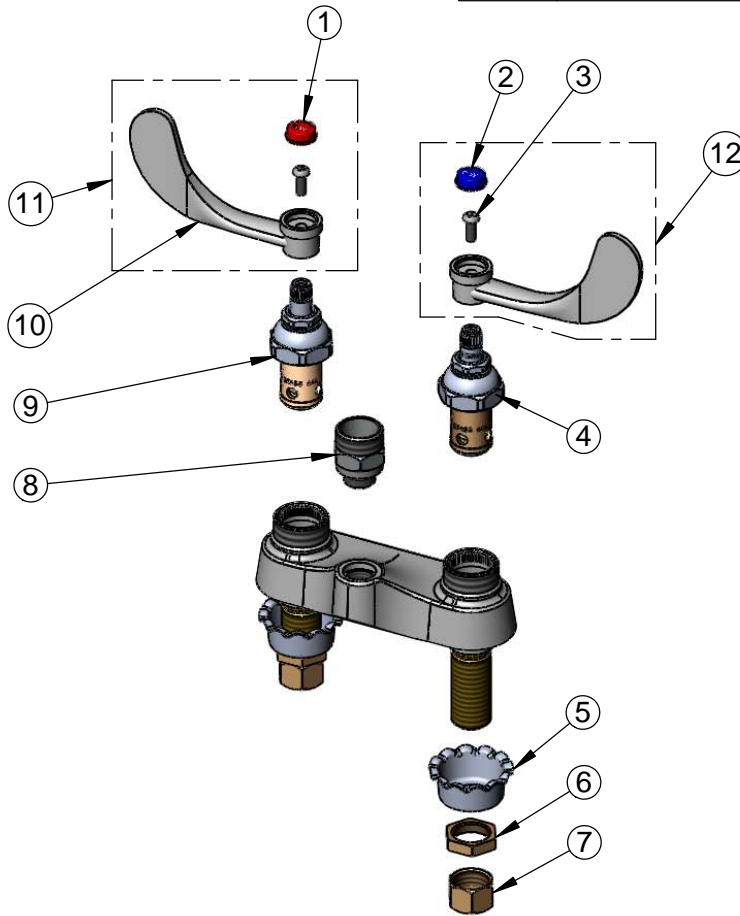
Model No.

B-0892-LN

Item No.

Travelers Rest, SC: 800-476-4103 • Simi Valley, CA: 800-423-0150 • Fax: 864-834-3518 • www.tsbrass.com

ITEM NO.	SALES NO.	DESCRIPTION
1	001194-45	Red Index - HW
2	001686-45	Blue Index - CW
3	000925-45	Lab Handle Screw
4	006009-40	Eterna Cartridge, LTC (Teflon)
5	001000-45	Rosette Washer
6	002954-45	Shank Lock Nut
7	000958-20	Coupling Nut
8	B-0412	Rigid to Swivel Adapter
9	006010-40	Eterna Cartridge, RTC (Teflon)
10	B-WH4	4" Wrist Action Handle
11	B-WH4H	4" Wrist Action Handle, Screw & Hot Index
12	B-WH4C	4" Wrist Action Handle, Screw & Cold Index



Product Specifications:

4" Centerset Deck Mount Mixing Faucet, Eterna Cartridges, 4" Wrist Action Handles, Rigid to Swivel Adapter & 1/2" NPSM Male Inlets, Less Nozzle

Product Compliance:

ASME A112.18.1 / CSA B125.1
NSF 61 - Section 9
NSF 372 (Low Lead Content)
ANSI A117.1 (ADA)