



T&S BRASS AND BRONZE WORKS, INC.

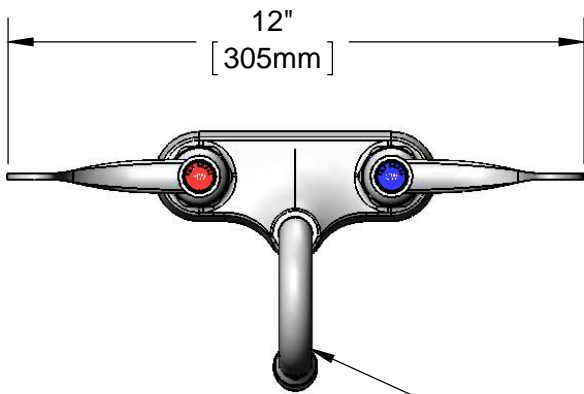
2 Saddleback Cove / P.O. Box 1088
Travelers Rest, SC 29690

Model No.

B-0892-LF22

Item No.

Travelers Rest, SC: 800-476-4103 • Simi Valley, CA: 800-423-0150 • Fax: 864-834-3518 • www.tsbrass.com



ADA Compliant

This Space for Architect/Engineer Approval

Job Name _____ Date _____

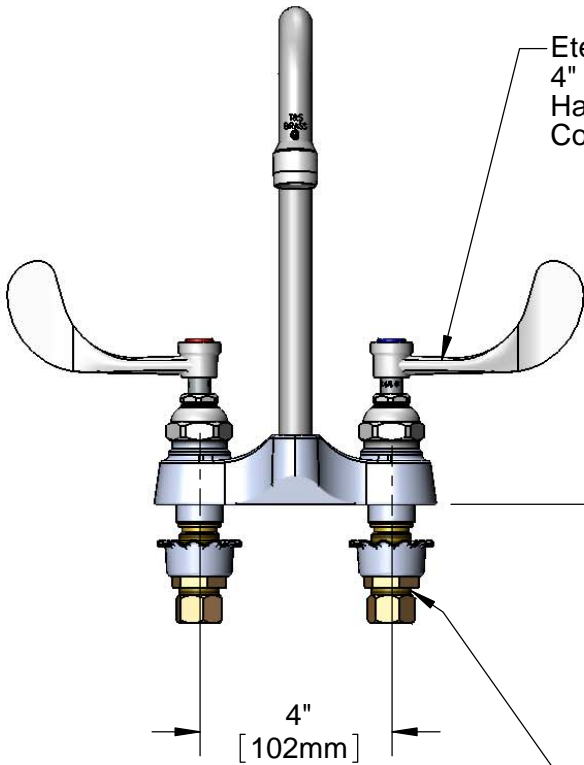
Model Specified _____ Quantity _____

Customer/Wholesaler _____

Contractor _____

Architect/Engineer _____

Rigid Gooseneck w/
B-0199-21
2.2 GPM Laminar
Flow Device

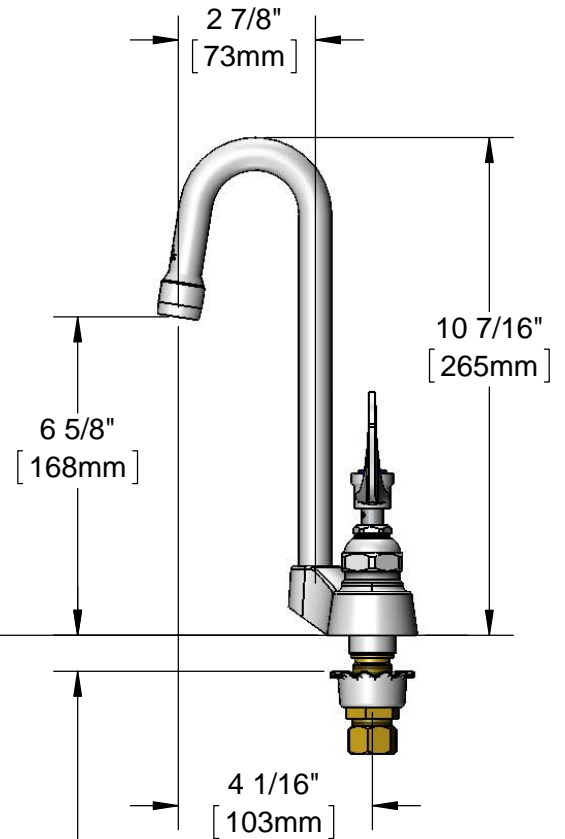


Eterna Cartridges &
4" Wrist Action
Handles w/ Color
Coded Indexes

Mounting Surface

3/4"
[19mm]
Maximum Thickness
(1 3/8" [35mm] Thick
Without Rosette Washers)

1/2" NPSM
Male Shanks w/
Coupling Nuts



Rough-In Requirement:
(2) ϕ 1 1/8" [29mm] Mounting Holes

Product Specifications:
4" Centerset Mixing Faucet w/ 1/2" NPSM Male Shanks,
Eterna Cartridges, 4" Wrist Action Handles, Rigid Gooseneck
w/ 2.2 GPM Laminar Flow Device

Drawn
KJG

Checked
DHL

Approved
JHB

Scale:
1:4

Date:
05/01/12



T&S BRASS AND BRONZE WORKS, INC.

2 Saddleback Cove / P.O. Box 1088

Travelers Rest, SC 29690

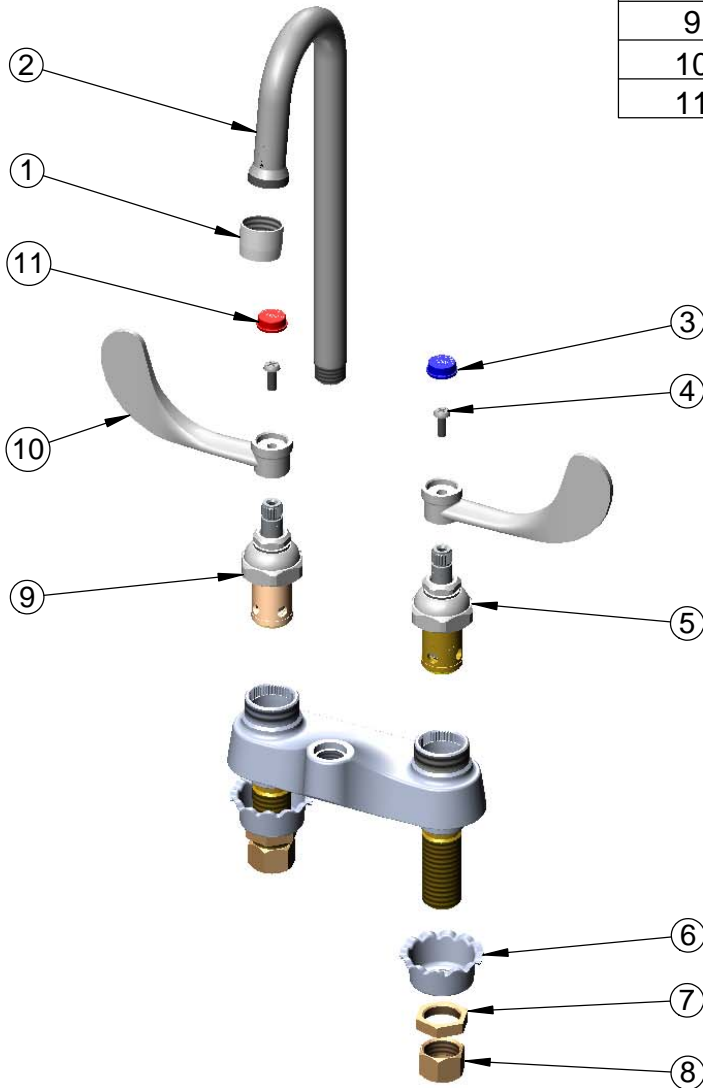
Model No.

B-0892-LF22

Item No.

Travelers Rest, SC: 800-476-4103 • Simi Valley, CA: 800-423-0150 • Fax: 864-834-3518 • www.tsbrass.com

ITEM NO.	SALES NO.	DESCRIPTION
1	B-0199-21	Laminar Flow Device
2	005028-40	Gooseneck
3	001686-45	Blue CW Index
4	000925-45	Lab Handle Screw
5	006009-40	Eterna Cartridge, LTC
6	001000-45	Rosette Washer
7	002954-45	Shank Lock Nut
8	000958-20	Coupling Nut
9	006010-40	Eterna Cartridge, RTC
10	B-WH4	4" Wrist Action Handle
11	001194-45	Red HW Index



Product Specifications:
 4" Centerset Mixing Faucet w/ 1/2" NPSM Male Shanks,
 Eterna Cartridges, 4" Wrist Action Handles, Rigid Gooseneck
 w/ 2.2 GPM Laminar Flow Device

Drawn KJG	Checked DHL	Approved JHB
Scale: NTS		Date: 05/01/12