



**T&S BRASS AND BRONZE WORKS, INC.**  
 2 Saddleback Cove / P.O. Box 1088  
 Travelers Rest, SC 29690

Model No.  
**B-0892-CR4XPF15**

Item No.

Travelers Rest, SC: 800-476-4103 • Simi Valley, CA: 800-423-0150 • Fax: 864-834-3518 • www.tsbrass.com



**ADA Compliant**

This Space for Architect/Engineer Approval

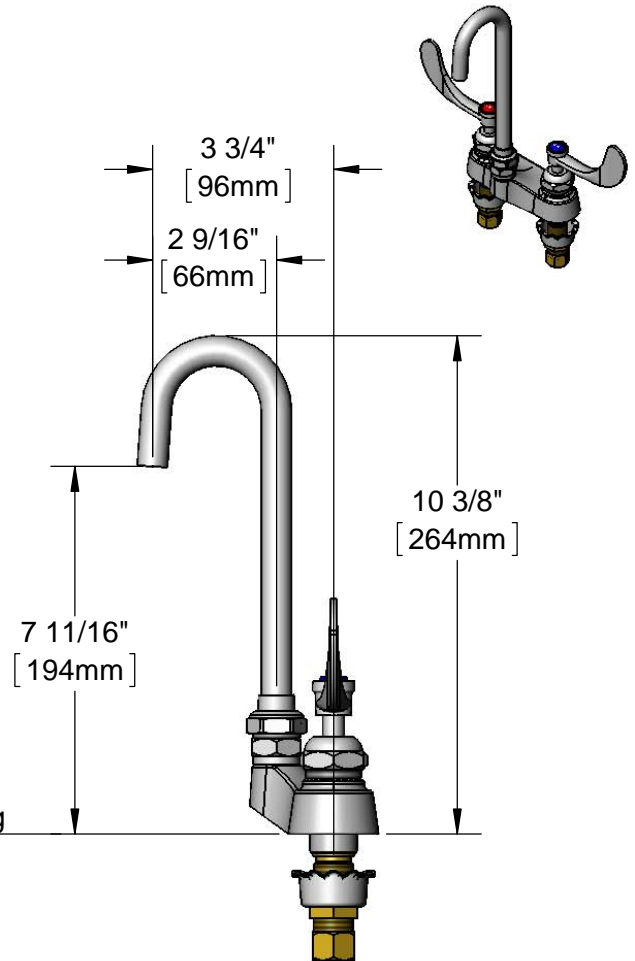
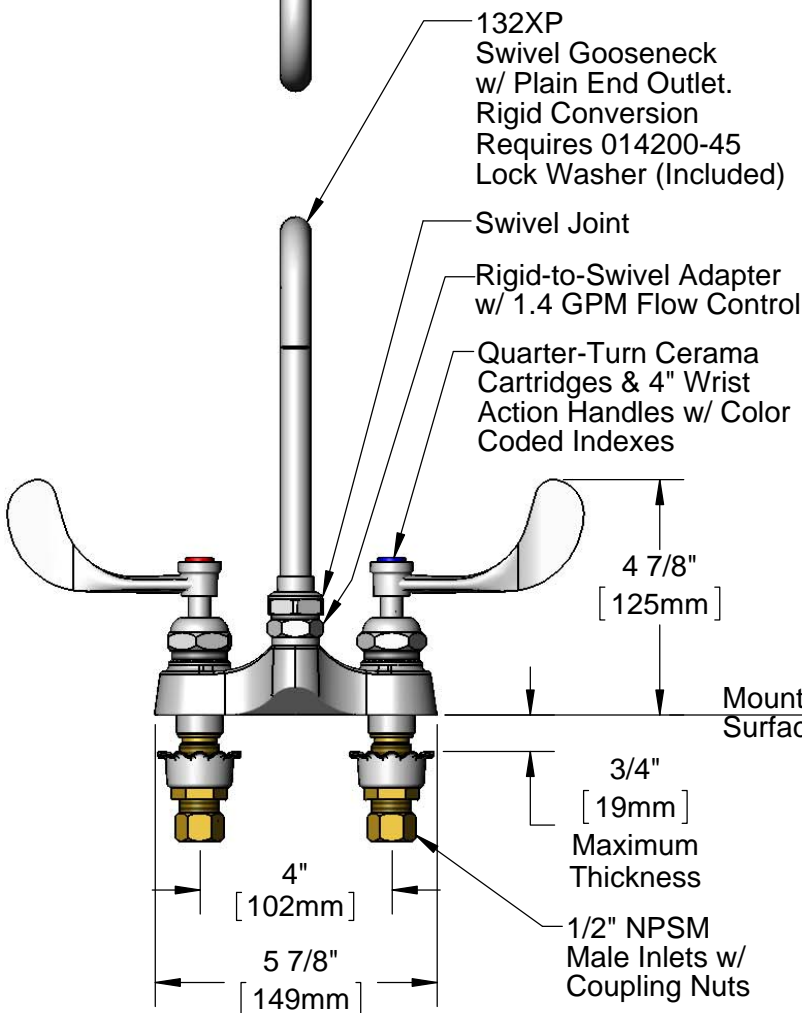
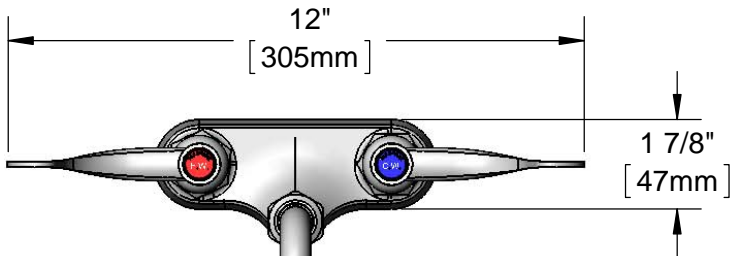
Job Name \_\_\_\_\_ Date \_\_\_\_\_

Model Specified \_\_\_\_\_ Quantity \_\_\_\_\_

Customer/Wholesaler \_\_\_\_\_

Contractor \_\_\_\_\_

Architect/Engineer \_\_\_\_\_



Rough-In Requirement:  
 (2)  $\phi$  1 1/8" [29mm] Mounting Holes

Product Specifications:  
 4" Centerset Deck Mount Mixing Faucet, Quarter-Turn Cerama Cartridges, 4" Wrist Action Handles, Swivel Gooseneck w/ Plain End Outlet, Rigid-to-Swivel Adapter w/ 1.4 GPM Flow Control & 1/2" NPSM Male Inlets w/ Coupling Nuts

Product Compliance:  
 ASME A112.18.1 / CSA B125.1  
 NSF 61 - Section 9  
 NSF 372 (Low Lead Content)  
 ANSI A117.1 (ADA)



# T&S BRASS AND BRONZE WORKS, INC.

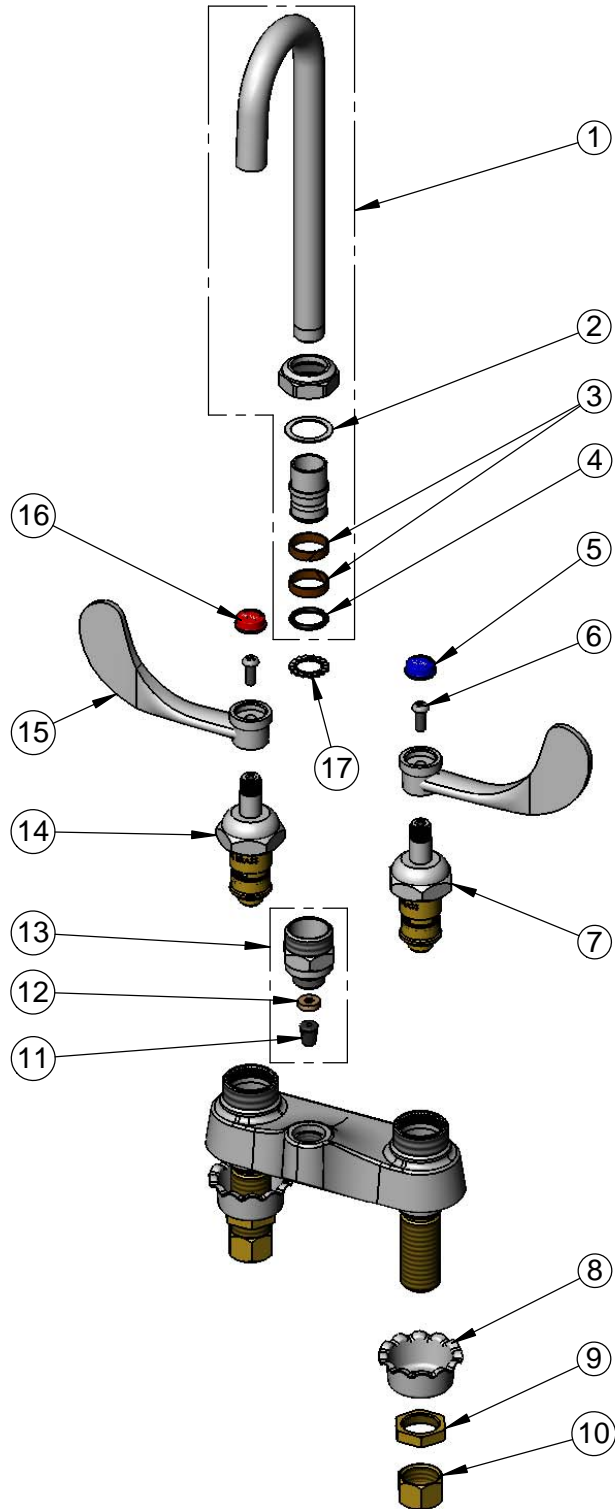
2 Saddleback Cove / P.O. Box 1088  
Travelers Rest, SC 29690

Model No.

**B-0892-CR4XP15**

Item No.

Travelers Rest, SC: 800-476-4103 • Simi Valley, CA: 800-423-0150 • Fax: 864-834-3518 • www.tsbrass.com



ITEM NO.	SALES NO.	DESCRIPTION
1	132XP	Swivel Gooseneck w/ Plain End Outlet
2	009538-45	Swivel Washer
3	011429-45	Swivel Sleeves (2)
4	001074-45	O-Ring
5	001686-45	Blue Index - CW
6	000925-45	Lab Handle Screw
7	011279-25	Quarter-Turn Cerama Cartridge, LTC
8	001000-45	Rosette Washer
9	002954-45	Shank Lock Nut
10	000958-20	Coupling Nut
11	001644-45	1.4 GPM Flow Tower
12	009069-45	Flow Control Holder
13	B-0412-F15	Adapter, Rigid-to-Swivel w/ 1.4 GPM Flow Control
14	011278-25	Quarter-Turn Cerama Cartridge, RTC
15	B-WH4	4" Wrist Action Handle
16	001194-45	Red Index - HW
17	014200-45	Star Washer, Anti-Rotation

**Product Specifications:**

4" Centerset Deck Mount Mixing Faucet, Quarter-Turn Cerama Cartridges, 4" Wrist Action Handles, Swivel Gooseneck w/ Plain End Outlet, Rigid-to-Swivel Adapter w/ 1.4 GPM Flow Control & 1/2" NPSM Male Inlets w/ Coupling Nuts

**Product Compliance:**

ASME A112.18.1 / CSA B125.1  
NSF 61 - Section 9  
NSF 372 (Low Lead Content)  
ANSI A117.1 (ADA)