



T&S BRASS AND BRONZE WORKS, INC.

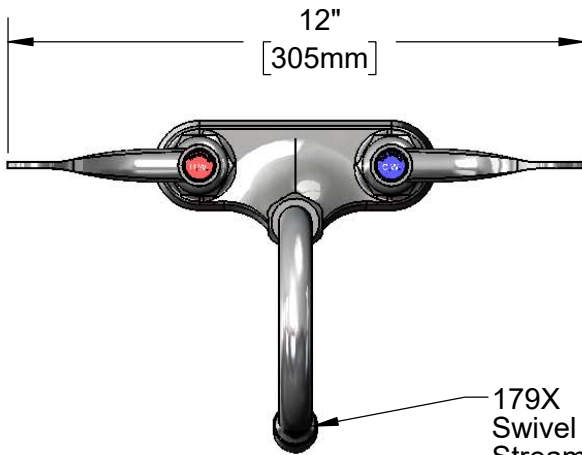
2 Saddleback Cove / P.O. Box 1088
Travelers Rest, SC 29690

Model No.

B-0892-CR-HW

Item No.

Travelers Rest, SC: 800-476-4103 • Simi Valley, CA: 800-423-0150 • Fax: 864-834-3518 • www.tsbrass.com



ADA Compliant

This Space for Architect/Engineer Approval

Job Name _____ Date _____

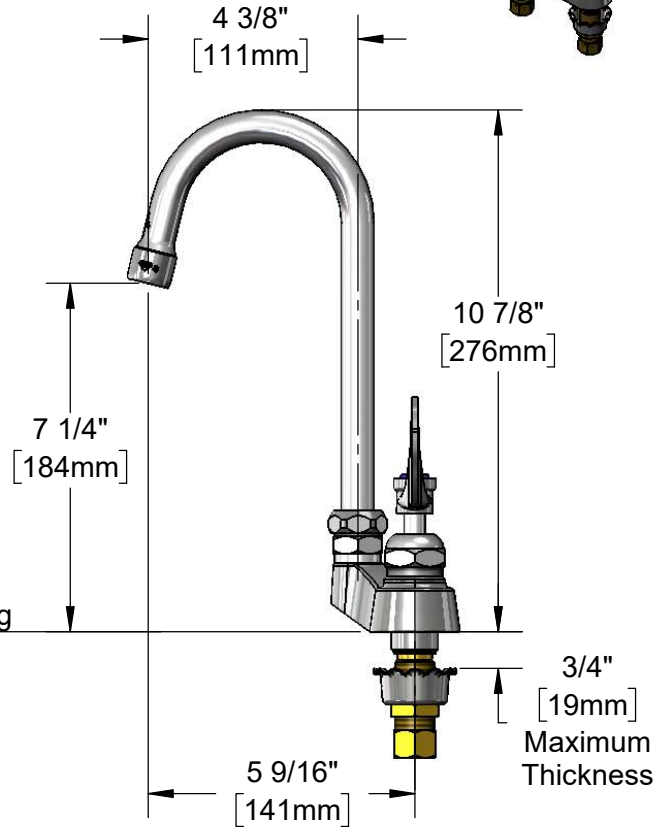
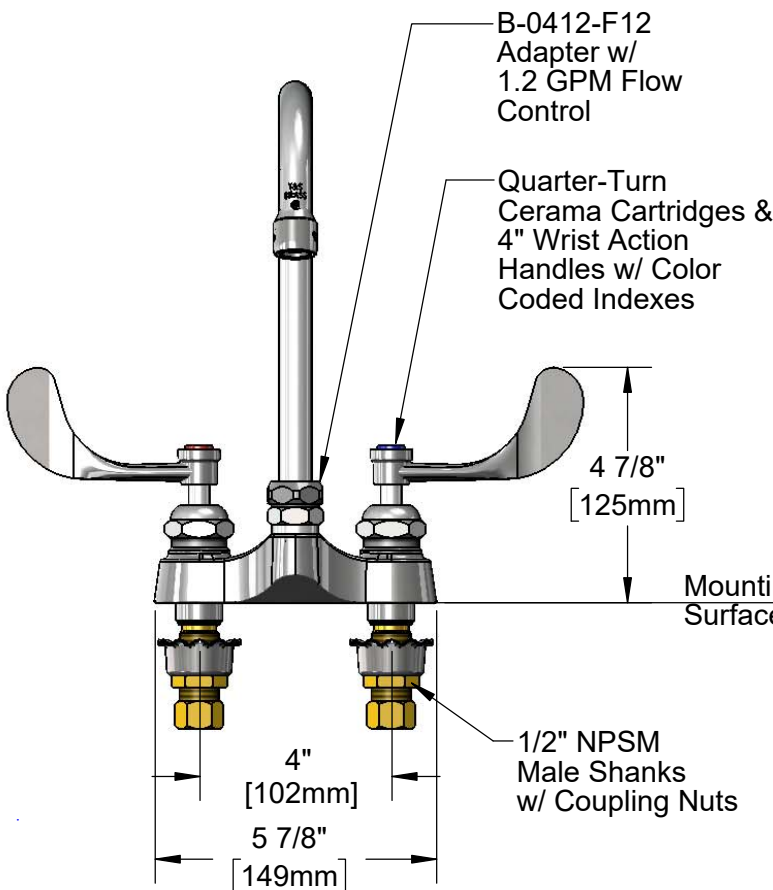
Model Specified _____ Quantity _____

Customer/Wholesaler _____

Contractor _____

Architect/Engineer _____

179X
Swivel Gooseneck w/
Stream Regulator Outlet



Rough-In Requirement:
(2) ϕ 1 1/8" [29mm] Mounting Holes

Product Specifications:

4" Centerset Mixing Faucet, 1/2" NPSM Male Shanks, Quarter-Turn Cerama Cartridges, 4" Wrist Action Handles, 4 3/8" Swivel Gooseneck, Stream Regulator Outlet & 1.2 GPM Flow Control

Product Compliance:

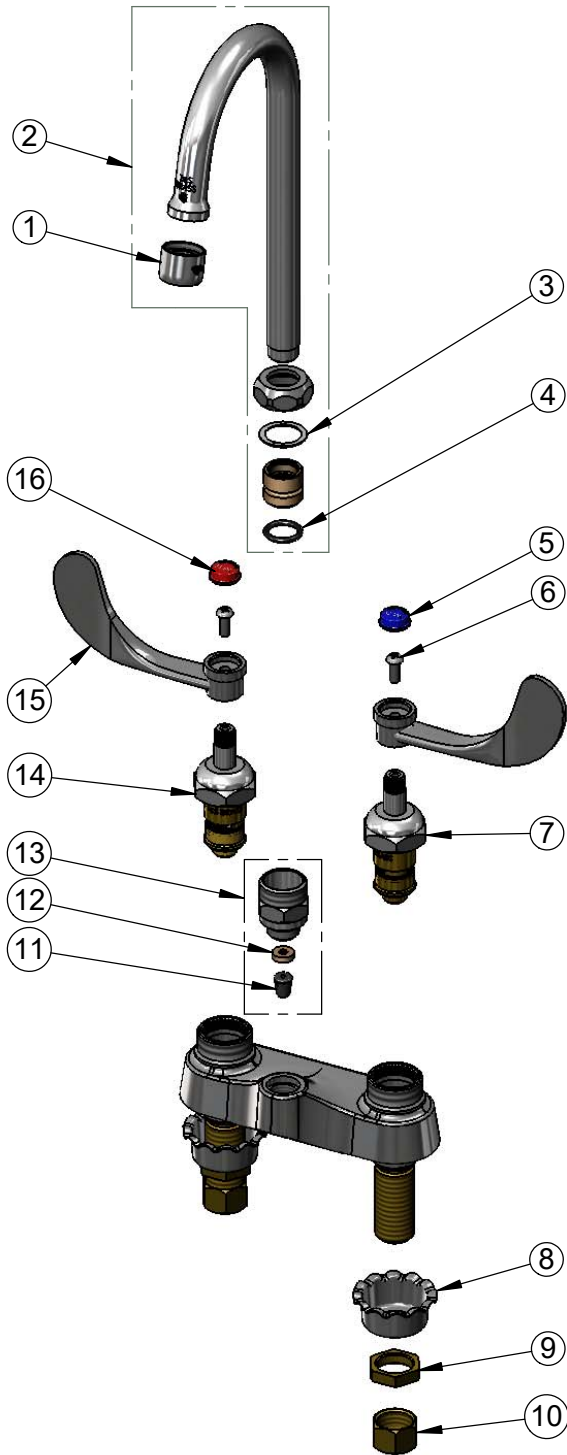
ASME A112.18.1 / CSA B125.1
NSF 61 - Section 9
NSF 372 (Low Lead Content)
ANSI A117.1 (ADA)



T&S BRASS AND BRONZE WORKS, INC.
 2 Saddleback Cove / P.O. Box 1088
 Travelers Rest, SC 29690

Model No.
B-0892-CR-HW
 Item No.

Travelers Rest, SC: 800-476-4103 • Simi Valley, CA: 800-423-0150 • Fax: 864-834-3518 • www.tsbrass.com



ITEM NO.	SALES NO.	DESCRIPTION
1	B-PT	Full Flow Stream Regulator, 55/64-27
2	179X	4 3/8" Swivel Gooseneck w/ Stream Regular Outlet
3	009538-45	Swivel Washer
4	001074-45	O-Ring
5	001686-45	Blue Index - CW
6	000925-45	Lab Handle Screw
7	011279-25	Quarter-Turn Cerama Cartridge, LTC
8	001000-45	Rosette Washer
9	002954-45	Shank Lock Nut
10	000958-20	Coupling Nut
11	001643-45	1.2 GPM Flow Tower
12	009069-45	Flow Control Holder
13	B-0412-F12	Rigid to Swivel Adapter w/ 1.2 GPM Flow Control
14	011278-25	Quarter-Turn Cerama Cartridge, RTC
15	B-WH4	4" Wrist Action Handle
16	001194-45	Red Index - HW

Product Specifications:
 4" Centerset Mixing Faucet, 1/2" NPSM Male Shanks, Quarter-Turn Cerama Cartridges, 4" Wrist Action Handles, 4 3/8" Swivel Gooseneck, Stream Regulator Outlet & 1.2 GPM Flow Control

Product Compliance:
 ASME A112.18.1 / CSA B125.1
 NSF 61 - Section 9
 NSF 372 (Low Lead Content)
 ANSI A117.1 (ADA)