



# T&S BRASS AND BRONZE WORKS, INC.

2 Saddleback Cove / P.O. Box 1088  
Travelers Rest, SC 29690

Model No.

**B-0892-120X**

Item No.

Travelers Rest, SC: 800-476-4103 • Simi Valley, CA: 800-423-0150 • Fax: 864-834-3518 • www.tsbrass.com



**ADA Compliant**

This Space for Architect/Engineer Approval

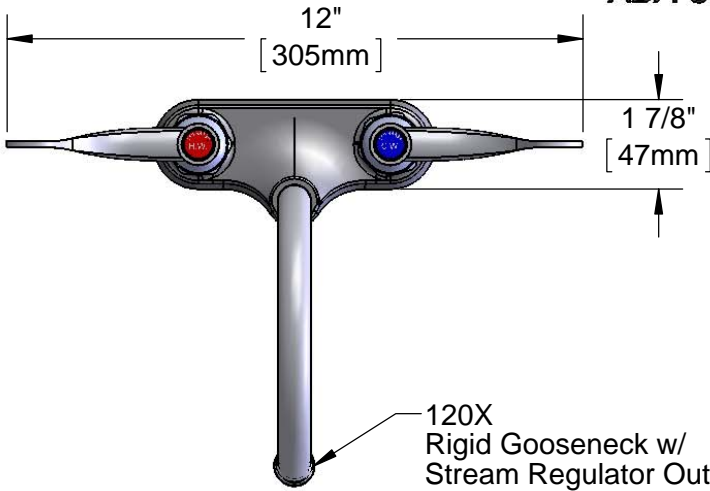
Job Name \_\_\_\_\_ Date \_\_\_\_\_

Model Specified \_\_\_\_\_ Quantity \_\_\_\_\_

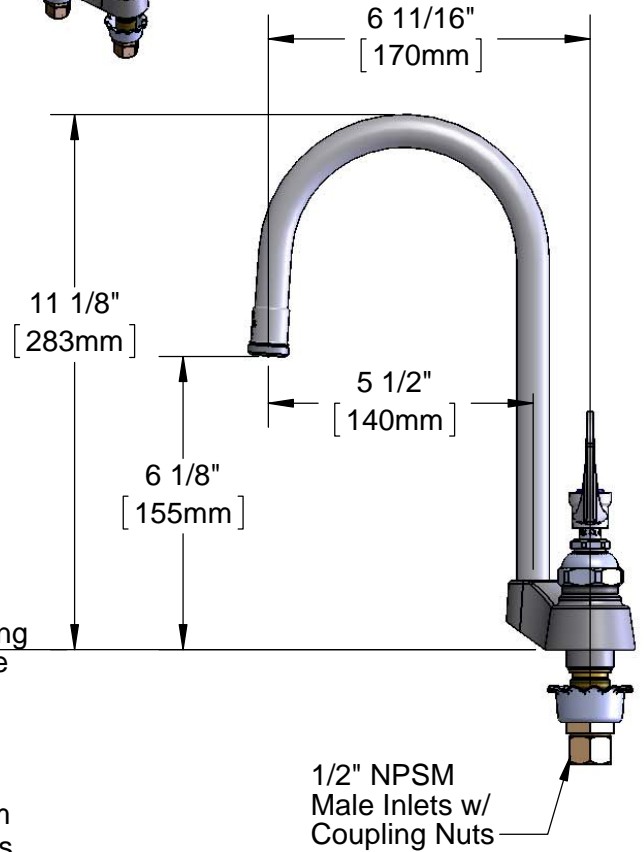
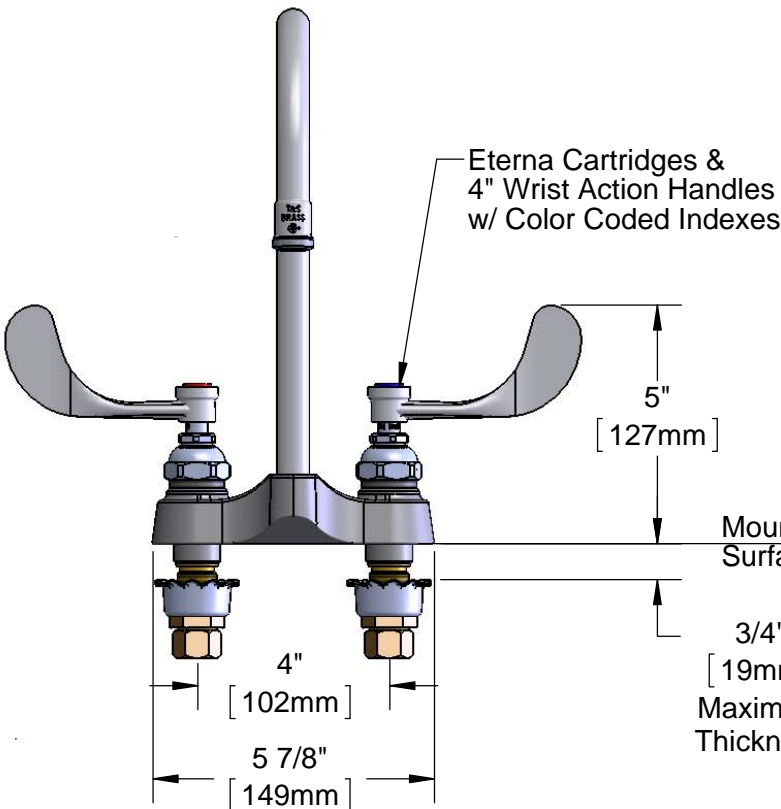
Customer/Wholesaler \_\_\_\_\_

Contractor \_\_\_\_\_

Architect/Engineer \_\_\_\_\_



120X Rigid Gooseneck w/ Stream Regulator Outlet



Mounting Surface

3/4" [19mm] Maximum Thickness

1/2" NPSM Male Inlets w/ Coupling Nuts

Rough-In Requirement:  
(2)  $\phi$  1 1/8" [29mm] Mounting Holes

Product Specifications:  
4" Centerset Deck Mount Mixing Faucet, Eterna Cartridges, 4" Wrist Action Handles, Rigid Gooseneck w/ Stream Regulator Outlet & 1/2" NPSM Male Inlets

Product Compliance:  
ASME A112.18.1 / CSA B125.1  
NSF 61 - Section 9  
NSF 372 (Low Lead Content)  
ANSI A117.1 (ADA)

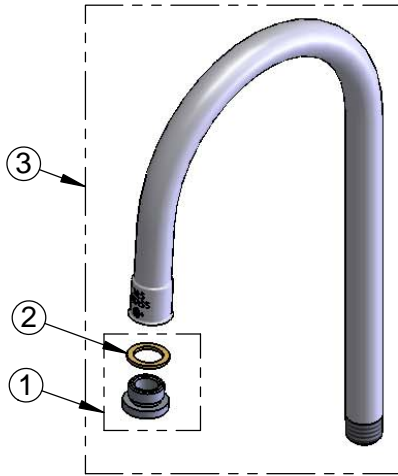


**T&S BRASS AND BRONZE WORKS, INC.**  
 2 Saddleback Cove / P.O. Box 1088  
 Travelers Rest, SC 29690

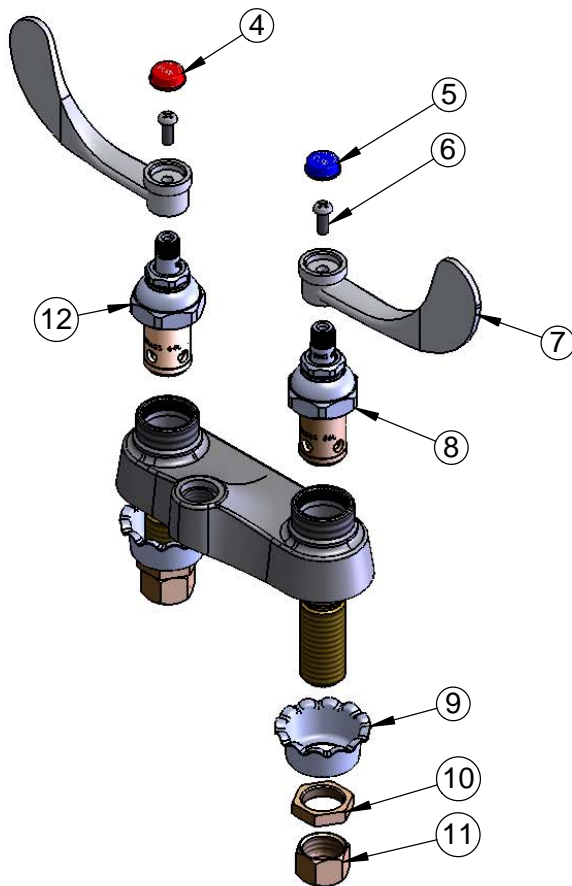
Model No.  
**B-0892-120X**

Item No.

Travelers Rest, SC: 800-476-4103 • Simi Valley, CA: 800-423-0150 • Fax: 864-834-3518 • www.tsbrass.com



ITEM NO.	SALES NO.	DESCRIPTION
1	B-LT	Stream Regulator Outlet
2	001043-45	Washer
3	120X	Rigid Gooseneck w/ Stream Regulator Outlet
4	001194-45	Red Index - HW
5	001686-45	Blue Index - CW
6	000925-45	Lab Handle Screw
7	B-WH4	4" Wrist Action Handle
8	006009-40	Eterna Cartridge, LTC
9	001000-45	Rosette Washer
10	002954-45	Shank Lock Nut
11	000958-20	Coupling Nut
12	006010-40	Eterna Cartridge, LTC



**Product Specifications:**

4" Centerset Deck Mount Mixing Faucet, Eterna Cartridges, 4" Wrist Action Handles, Rigid Gooseneck w/ Stream Regulator Outlet & 1/2" NPSM Male Inlets

**Product Compliance:**

ASME A112.18.1 / CSA B125.1  
 NSF 61 - Section 9  
 NSF 372 (Low Lead Content)  
 ANSI A117.1 (ADA)