



# T&S BRASS AND BRONZE WORKS, INC.

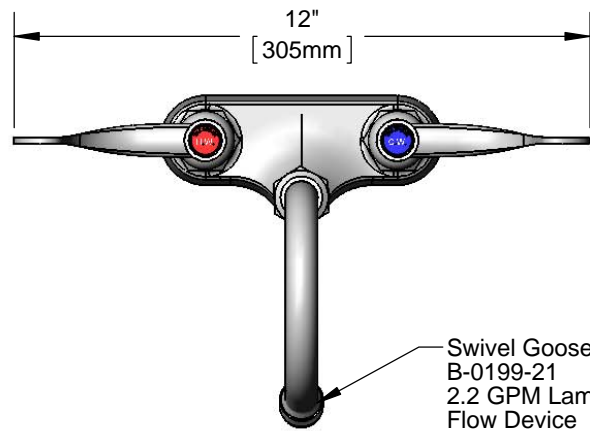
2 Saddleback Cove / P.O. Box 1088  
Travelers Rest, SC 29690

Model No.

**B-0892-01CR-L22**

Item No.

Travelers Rest, SC: 800-476-4103 • Simi Valley, CA: 800-423-0150 • Fax: 864-834-3518 • www.tsbrass.com



**ADA Compliant**

This Space for Architect/Engineer Approval

Job Name \_\_\_\_\_ Date \_\_\_\_\_

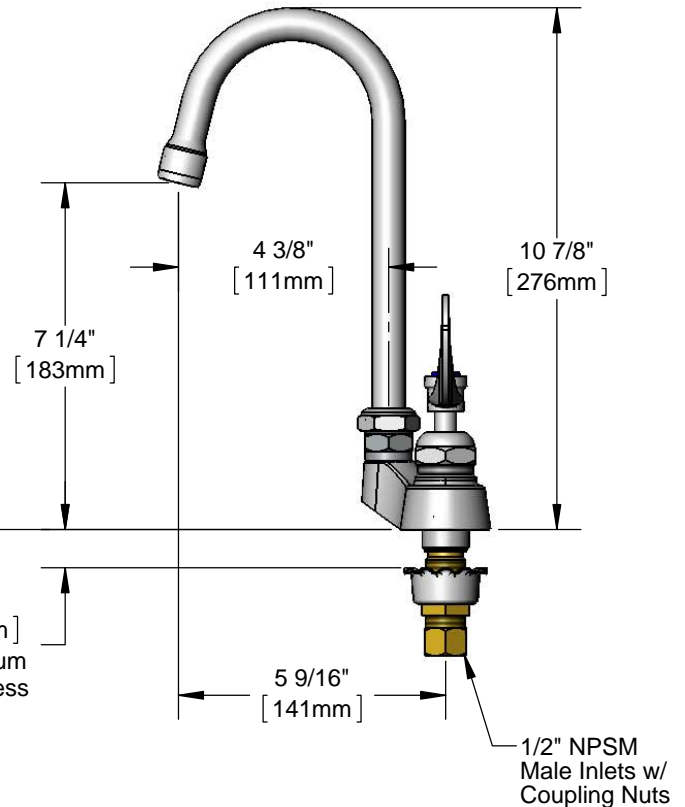
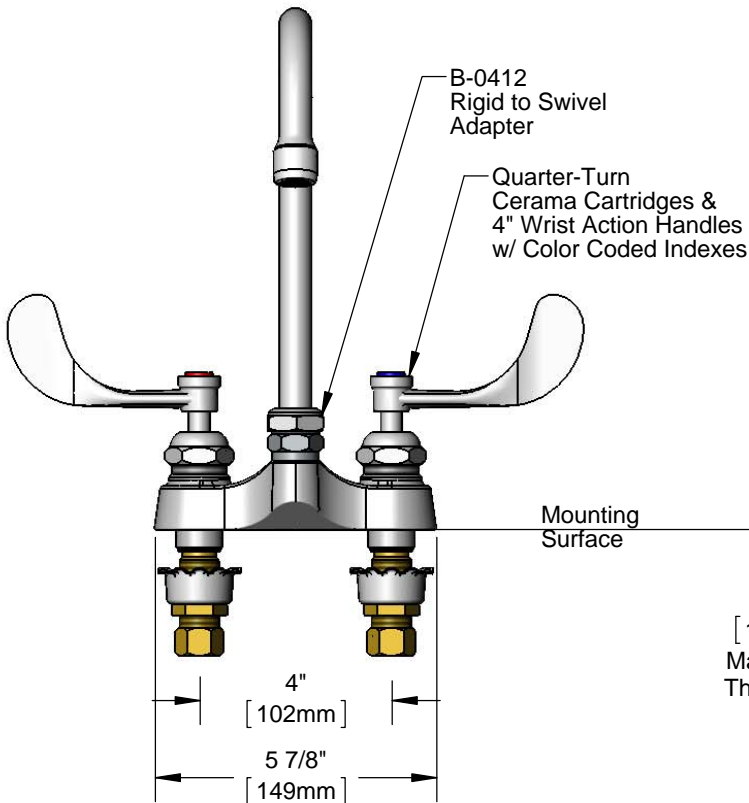
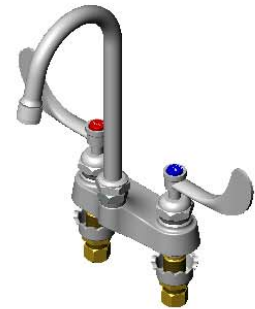
Model Specified \_\_\_\_\_ Quantity \_\_\_\_\_

Customer/Wholesaler \_\_\_\_\_

Contractor \_\_\_\_\_

Architect/Engineer \_\_\_\_\_

Swivel Gooseneck w/  
B-0199-21  
2.2 GPM Laminar  
Flow Device



Rough-In Requirement:  
(2)  $\varnothing$  1 1/8" [29mm] Mounting Holes

Product Specifications:  
4" Centerset Deck Mount Mixing Faucet, Quarter-Turn Cerama Cartridges,  
4" Wrist Action Handles, Swivel Gooseneck, 2.2 GPM Laminar Flow  
Device & 1/2" NPSM Male Shanks

Product Compliance:  
ASME A112.18.1 / CSA B125.1  
NSF 61 - Section 9  
NSF 372 (Low Lead Content)  
ANSI A117.1 (ADA)



# T&S BRASS AND BRONZE WORKS, INC.

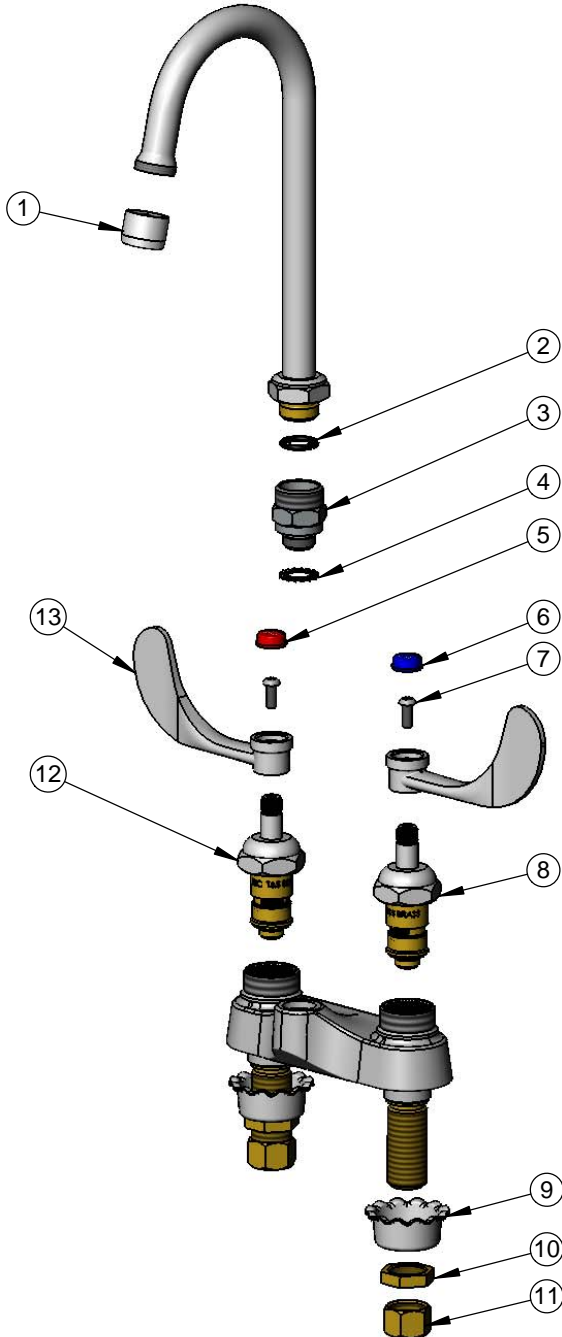
2 Saddleback Cove / P.O. Box 1088  
Travelers Rest, SC 29690

Model No.

**B-0892-01CR-L22**

Item No.

Travelers Rest, SC: 800-476-4103 • Simi Valley, CA: 800-423-0150 • Fax: 864-834-3518 • www.tsbrass.com



ITEM NO.	SALES NO.	DESCRIPTION
1	B-0199-21	2.2 GPM Laminar Flow Device
2	001074-45	O-Ring
3	B-0412	Rigid to Swivel Adapter
4	014200-45	Star Washer, Anti-Rotation
5	001194-45	Red Index - HW
6	001686-45	Blue Index - CW
7	000925-45	Lab Handle Screw
8	011279-25	Quarter-Turn Cerama Cartridge, LTC
9	001000-45	Rosette Washer
10	002954-45	Shank Lock Nut
11	000958-20	Coupling Nut
12	011278-25	Quarter-Turn Cerama Cartridge, RTC
13	B-WH4	4" Wrist Action Handle

**Product Specifications:**

4" Centerset Deck Mount Mixing Faucet, Quarter-Turn Cerama Cartridges, 4" Wrist Action Handles, Swivel Gooseneck, 2.2 GPM Laminar Flow Device & 1/2" NPSM Male Shanks

**Product Compliance:**

ASME A112.18.1 / CSA B125.1  
NSF 61 - Section 9  
NSF 372 (Low Lead Content)  
ANSI A117.1 (ADA)