



T&S BRASS AND BRONZE WORKS, INC.
 2 Saddleback Cove / P.O. Box 1088
 Travelers Rest, SC 29690

Model No.

B-0892-01-WS

Item No.

Travelers Rest, SC: 800-476-4103 • Simi Valley, CA: 800-423-0150 • Fax: 864-834-3518 • www.tsbrass.com



ADA Compliant



This Space for Architect/Engineer Approval

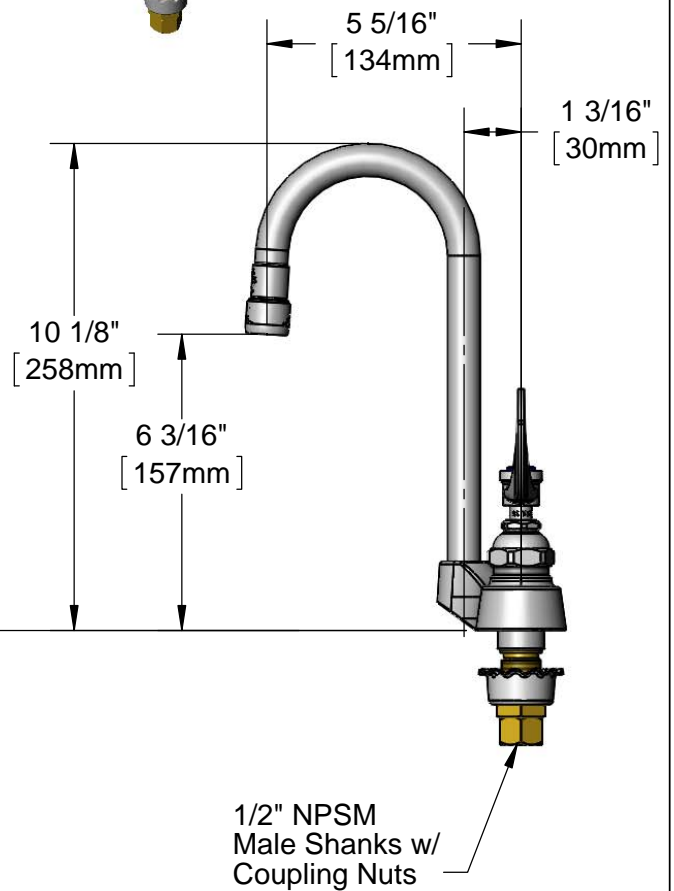
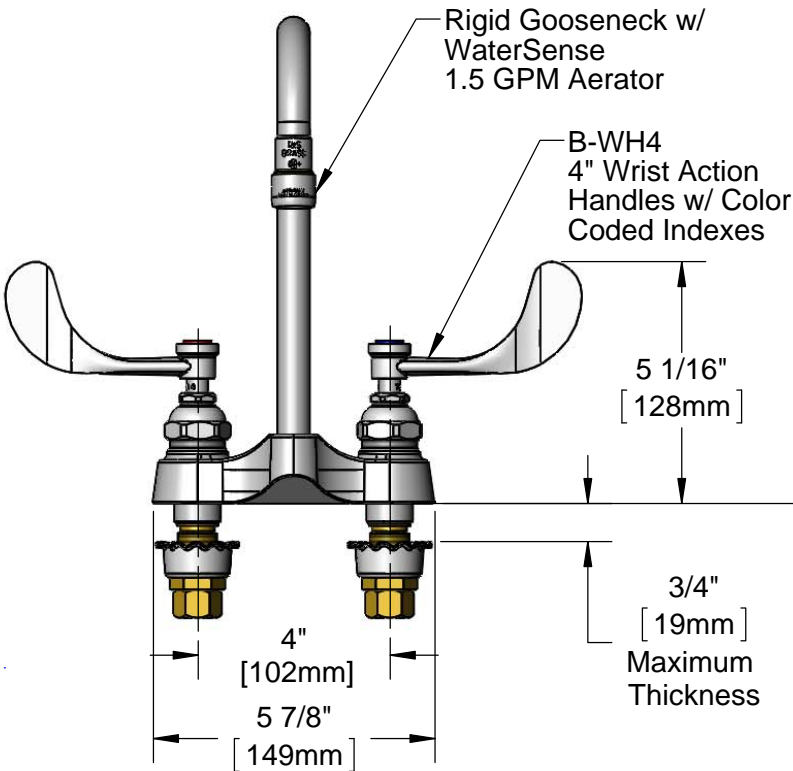
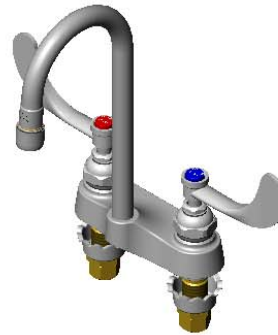
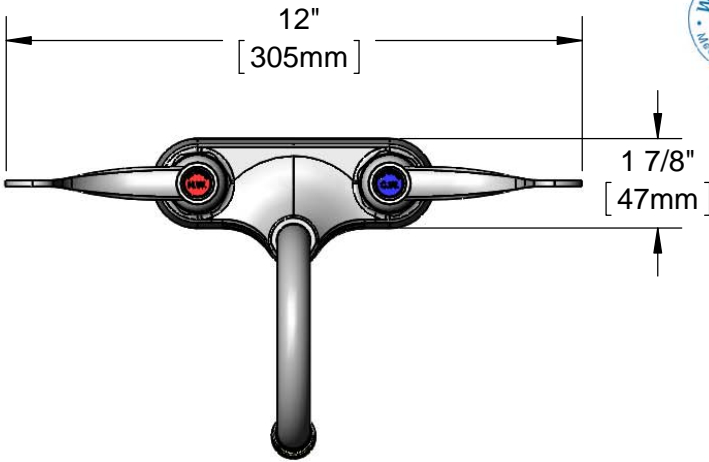
Job Name _____ Date _____

Model Specified _____ Quantity _____

Customer/Wholesaler _____

Contractor _____

Architect/Engineer _____



Rough-in Requirement :
 (2) ϕ 1 1/8" [29mm] Mounting Holes

Product Specifications:

4" Centerset Mixing Faucet w/ 1/2" NPSM Shanks, Eterna Cartridges, 4" Wrist Action Handles, Rigid Gooseneck and 1.5 GPM Aerator

Product Compliance:

ASME A112.18.1 / CSA B125.1
 NSF 61 - Section 9
 NSF 372 (Low Lead Content)
 ANSI A117.1 (ADA)
 EPA WaterSense (PRSV)



T&S BRASS AND BRONZE WORKS, INC.

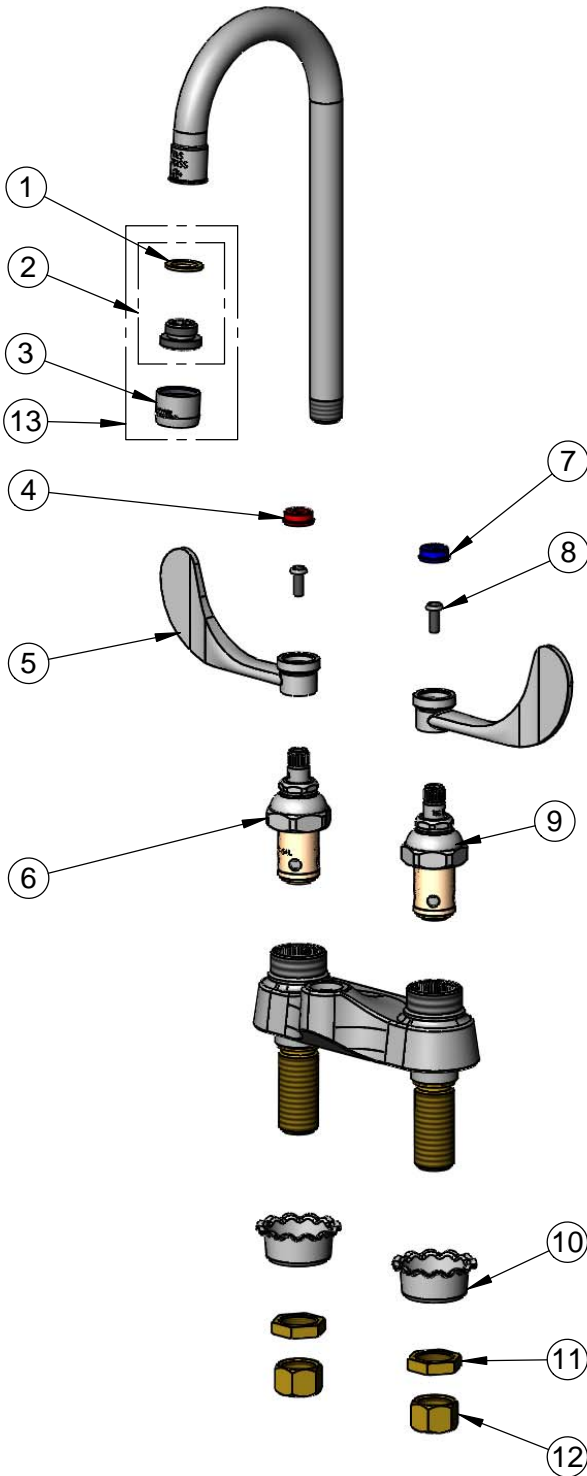
2 Saddleback Cove / P.O. Box 1088
Travelers Rest, SC 29690

Model No.

B-0892-01-WS

Item No.

Travelers Rest, SC: 800-476-4103 • Simi Valley, CA: 800-423-0150 • Fax: 864-834-3518 • www.tsbrass.com



ITEM NO.	SALES NO.	DESCRIPTION
1	001043-45	Washer
2	044A	3/8" to Aerator Adapter
3	B-0199-01-WS	1.5 GPM Aerator, 55/64-27 Female
4	001194-45	Red Index - HW
5	B-WH4	4" Wrist Action Handle
6	006010-40	Hot Eterna RTC
7	001686-45	Blue Index - CW
8	000925-45	Lab Handle Screw
9	006009-40	Cold Eterna LTC
10	001000-45	Rosette Washer
11	002954-45	Shank Lock Nut
12	000958-20	Coupling Nut
13	B-0199-02-WS	1.5 GPM Female Aerator, Adapter & Washer

Product Specifications:

4" Centerset Mixing Faucet w/ 1/2" NPSM Shanks, Eterna Cartridges, 4" Wrist Action Handles, Rigid Gooseneck and 1.5 GPM Aerator

Product Compliance:

ASME A112.18.1 / CSA B125.1
NSF 61 - Section 9
NSF 372 (Low Lead Content)
ANSI A117.1 (ADA)
EPA WaterSense (PRSV)