



# T&S BRASS AND BRONZE WORKS, INC.

2 Saddleback Cove / P.O. Box 1088  
Travelers Rest, SC 29690

Model No.

**B-0890-WS**

Item No.

Travelers Rest, SC: 800-476-4103 • Simi Valley, CA: 800-423-0150 • Fax: 864-834-3518 • www.tsbrass.com



**ADA Compliant**

This Space for Architect/Engineer Approval

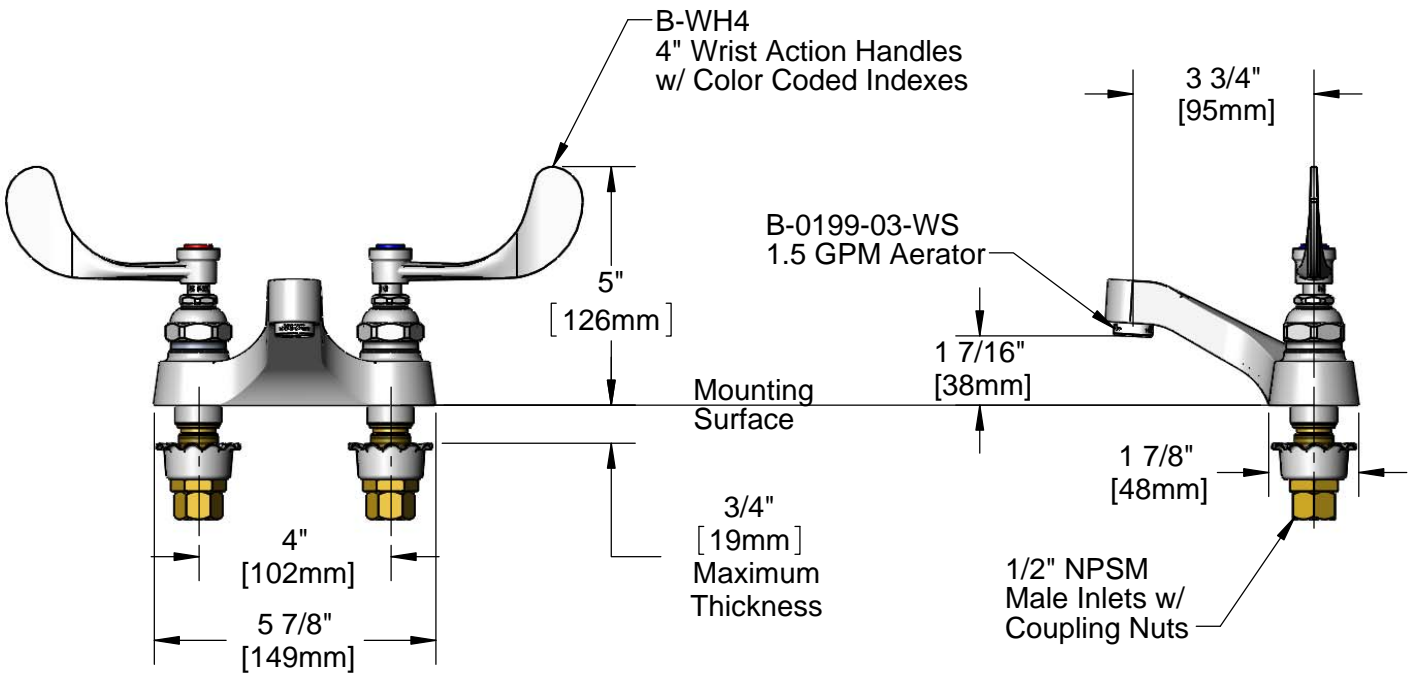
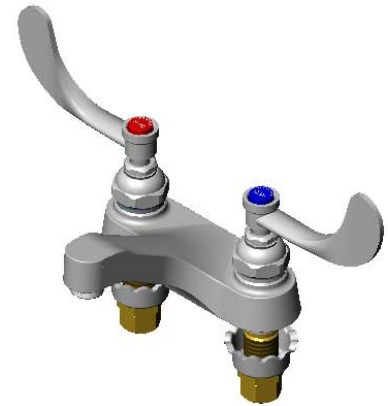
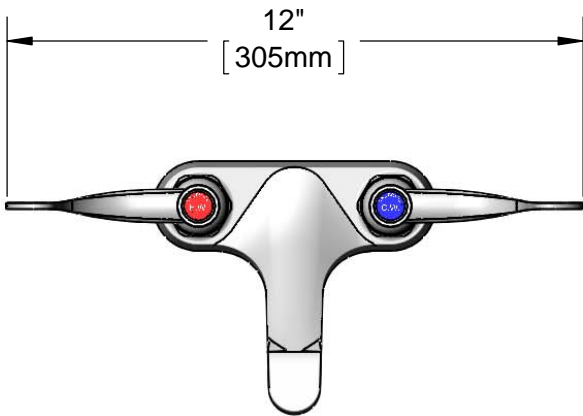
Job Name \_\_\_\_\_ Date \_\_\_\_\_

Model Specified \_\_\_\_\_ Quantity \_\_\_\_\_

Customer/Wholesaler \_\_\_\_\_

Contractor \_\_\_\_\_

Architect/Engineer \_\_\_\_\_



**Rough-in Requirement:**  
Ø 1 1/8" [29mm] Mounting Holes

**Product Specifications:**  
4" Centerset Mixing Faucet, Eterna Cartridges, Wrist Action Handles & 1.5 GPM Aerator

**Product Compliance:**  
ASME A112.18.1 / CSA B125.1  
NSF 61 - Section 9  
NSF 372 (Low Lead Content)  
ANSI A117.1 (ADA)  
EPA WaterSense



# T&S BRASS AND BRONZE WORKS, INC.

2 Saddleback Cove / P.O. Box 1088  
Travelers Rest, SC 29690

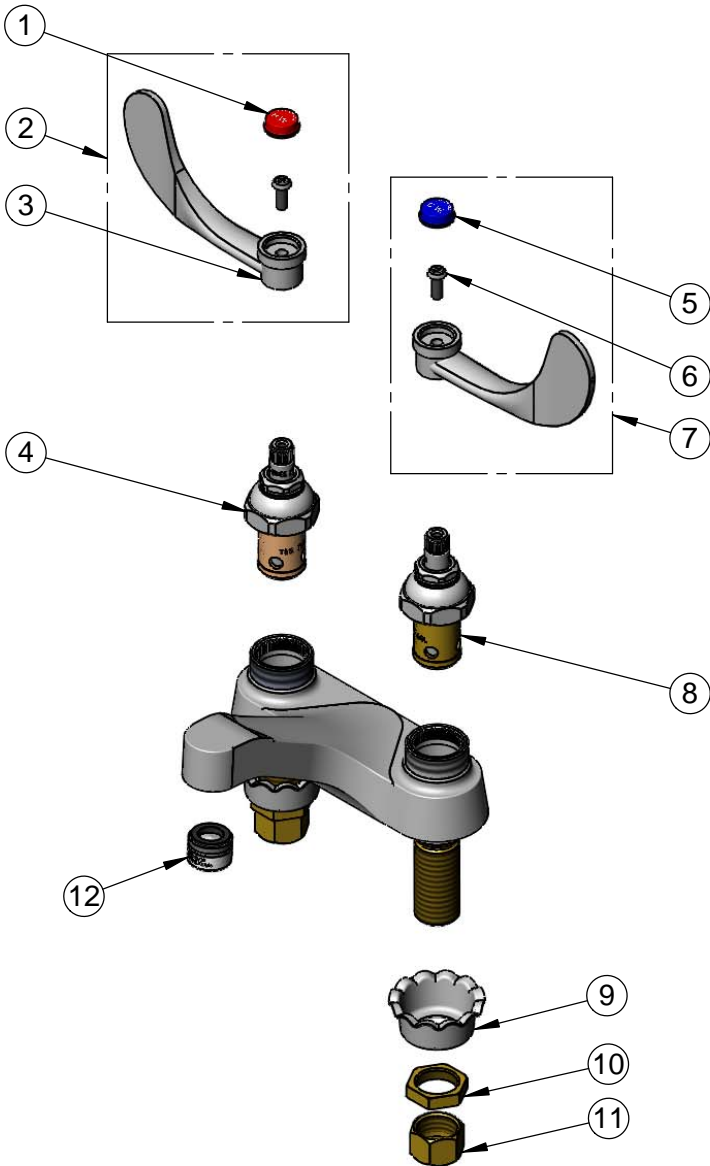
Model No.

**B-0890-WS**

Item No.

Travelers Rest, SC: 800-476-4103 • Simi Valley, CA: 800-423-0150 • Fax: 864-834-3518 • www.tsbrass.com

ITEM NO.	SALES NO.	DESCRIPTION
1	001194-45	Red Index - HW
2	B-WH4H	4" Wrist Action Handle, Screw & Hot Index
3	B-WH4	4" Wrist Action Handle
4	006010-40	Eterna Cartridge, RTC (Teflon)
5	001686-45	Blue Index - CW
6	000925-45	Lab Handle Screw
7	B-WH4C	4" Wrist Action Handle, Screw & Cold Index
8	006009-40	Eterna Cartridge, LTC (Teflon)
9	001000-45	Rosette Washer
10	002954-45	Shank Lock Nut
11	000958-20	Coupling Nut
12	B-0199-03-WS	1.5 GPM Aerator, 13/16-27 Male



**Product Specifications:**  
4" Centerset Mixing Faucet, Eterna Cartridges, Wrist Action Handles & 1.5 GPM Aerator

**Product Compliance:**  
ASME A112.18.1 / CSA B125.1  
NSF 61 - Section 9  
NSF 372 (Low Lead Content)  
ANSI A117.1 (ADA)  
EPA WaterSense