



# T&S BRASS AND BRONZE WORKS, INC.

2 Saddleback Cove / P.O. Box 1088  
Travelers Rest, SC 29690

Model No.

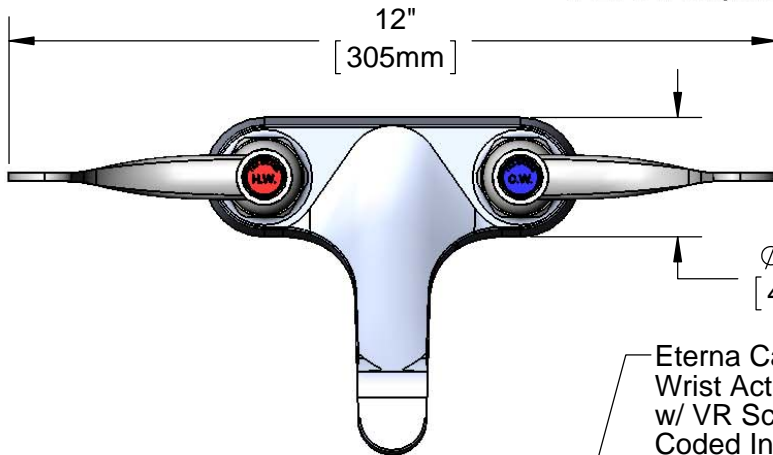
**B-0890-VRS-VF07**

Item No.

Travelers Rest, SC: 800-476-4103 • Simi Valley, CA: 800-423-0150 • Fax: 864-834-3518 • www.tsbrass.com



**ADA Compliant**



This Space for Architect/Engineer Approval

Job Name \_\_\_\_\_ Date \_\_\_\_\_

Model Specified \_\_\_\_\_ Quantity \_\_\_\_\_

Customer/Wholesaler \_\_\_\_\_

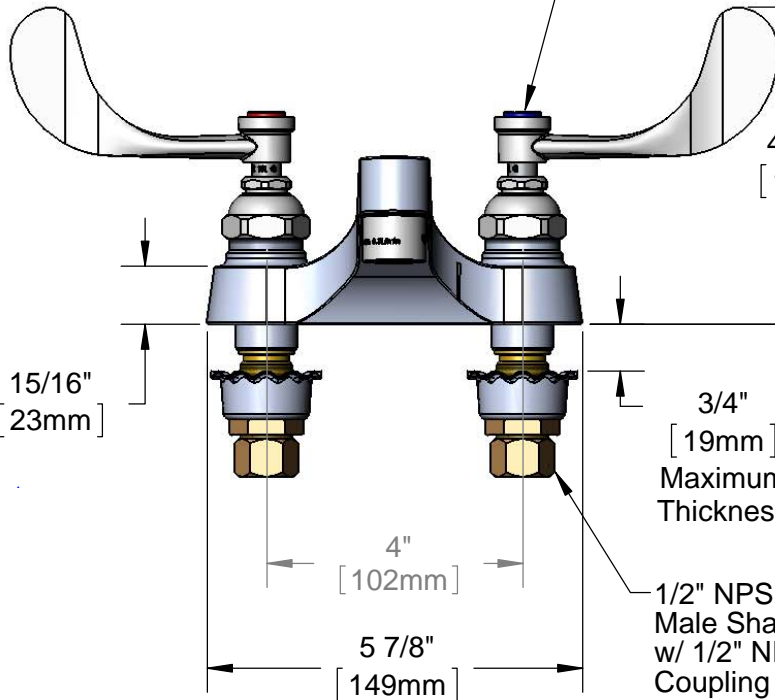
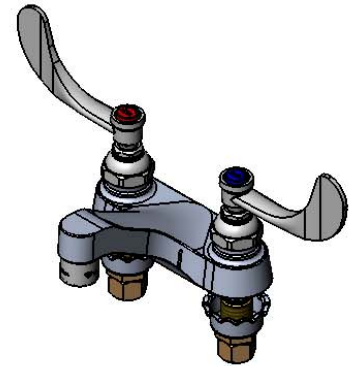
Contractor \_\_\_\_\_

Architect/Engineer \_\_\_\_\_

Ø 1 7/8"  
[47mm]

Eterna Cartridge & 4"  
Wrist Action Handles  
w/ VR Screws & Color  
Coded Indexes

B-0199-08F-07  
VR Aerator w/  
0.7 GPM  
Flow Control

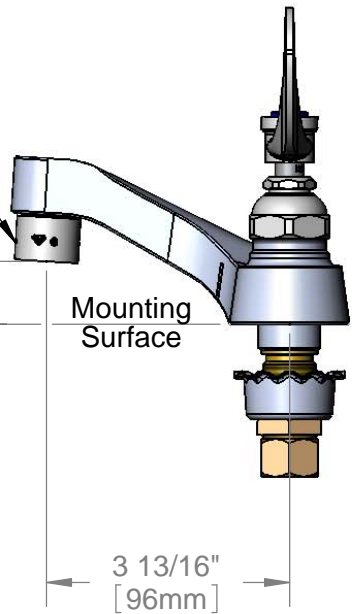


4 15/16"  
[126mm]

15/16"  
[23mm]

3/4"  
[19mm]  
Maximum  
Thickness

1/2" NPSM  
Male Shanks  
w/ 1/2" NPSM  
Coupling Nuts



Mounting  
Surface

3 13/16"  
[96mm]

**Rough-In Requirement:**  
(2) Ø 1 1/8" [29mm] Mounting Holes

**Product Specifications:**  
4" Centerset Deck Mount Cast Spout Mixing Faucet, Eterna Cartridges,  
4" Wrist Action Handles, VR Screws, VR Aerator w/ 0.7 Flow Control &  
1/2" NPSM Male Inlet w/ Coupling Nuts

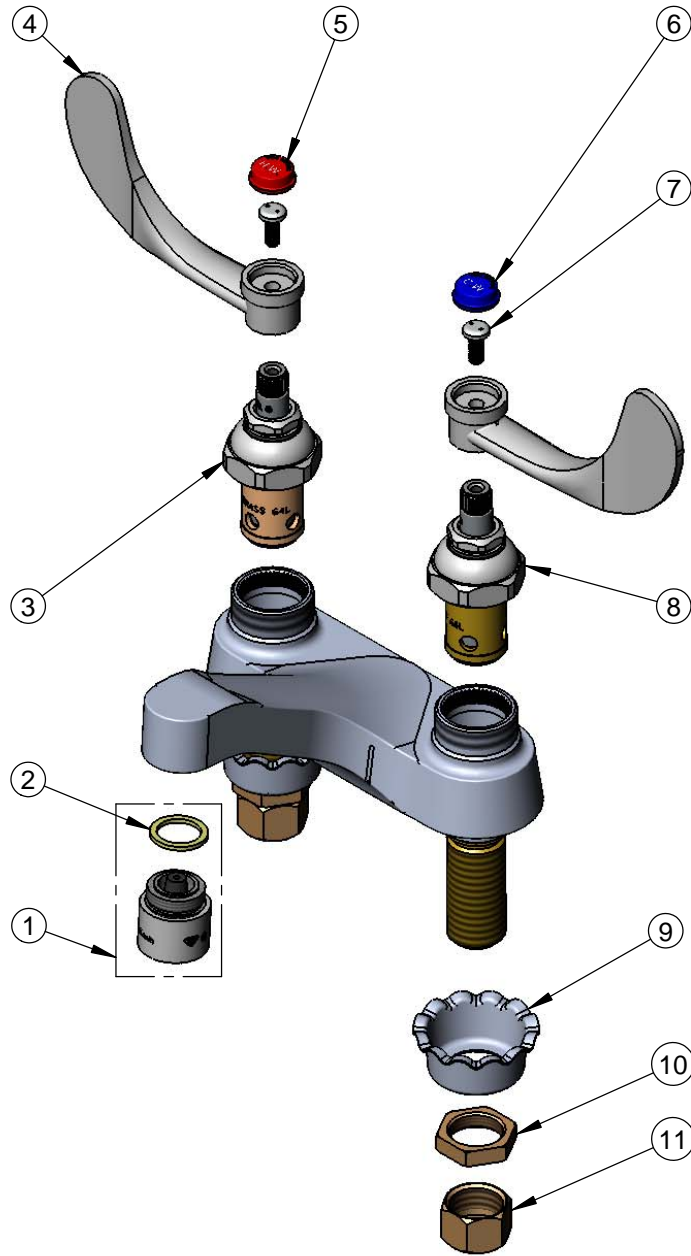
**Product Compliance:**  
ASME A112.18.1 / CSA B125.1  
NSF 61 - Section 9  
NSF 372 (Low Lead Content)  
ANSI A117.1 (ADA)



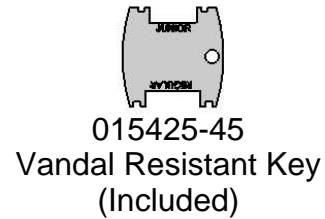
**T&S BRASS AND BRONZE WORKS, INC.**  
 2 Saddleback Cove / P.O. Box 1088  
 Travelers Rest, SC 29690

Model No.  
**B-0890-VRS-VF07**  
 Item No.

Travelers Rest, SC: 800-476-4103 • Simi Valley, CA: 800-423-0150 • Fax: 864-834-3518 • www.tsbrass.com



| ITEM NO. | SALES NO.     | DESCRIPTION  |
|----------|---------------|--|
| 1        | B-0199-08F-07 | VR Aerator w/ .07 GPM Flow Control, 13/16-27 UN w/ Key |
| 2        | 001048-45     | Nozzle Tip Washer                                      |
| 3        | 006010-40     | Eterna Cartridge, RTC (Teflon)                         |
| 4        | B-WH4         | 4" Wrist Action Handle                                 |
| 5        | 001194-45     | Red Index - HW   |
| 6        | 001686-45     | Blue Index - CW  |
| 7        | VRS-2         | VR Screw (2) w/ Spanner Bit                            |
| 8        | 006009-40     | Eterna Cartridge, LTC (Teflon)                         |
| 9        | 001000-45     | Rosette Washer   |
| 10       | 002954-45     | Shank Lock Nut   |
| 11       | 000958-20     | Coupling Nut   |



Product Specifications:  
 4" Centerset Deck Mount Cast Spout Mixing Faucet, Eterna Cartridges,  
 4" Wrist Action Handles, VR Screws, VR Aerator w/ 0.7 Flow Control &  
 1/2" NPSM Male Inlet w/ Coupling Nuts

Product Compliance:  
 ASME A112.18.1 / CSA B125.1  
 NSF 61 - Section 9  
 NSF 372 (Low Lead Content)  
 ANSI A117.1 (ADA)