



T&S BRASS AND BRONZE WORKS, INC.

2 Saddleback Cove / P.O. Box 1088
Travelers Rest, SC 29690

Model No.

B-0890-VF05

Item No.

Travelers Rest, SC: 800-476-4103 • Simi Valley, CA: 800-423-0150 • Fax: 864-834-3518 • www.tsbrass.com

This Space for Architect/Engineer Approval

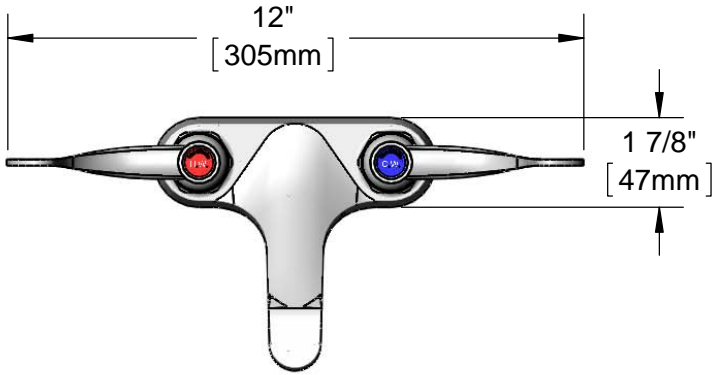
Job Name _____ Date _____

Model Specified _____ Quantity _____

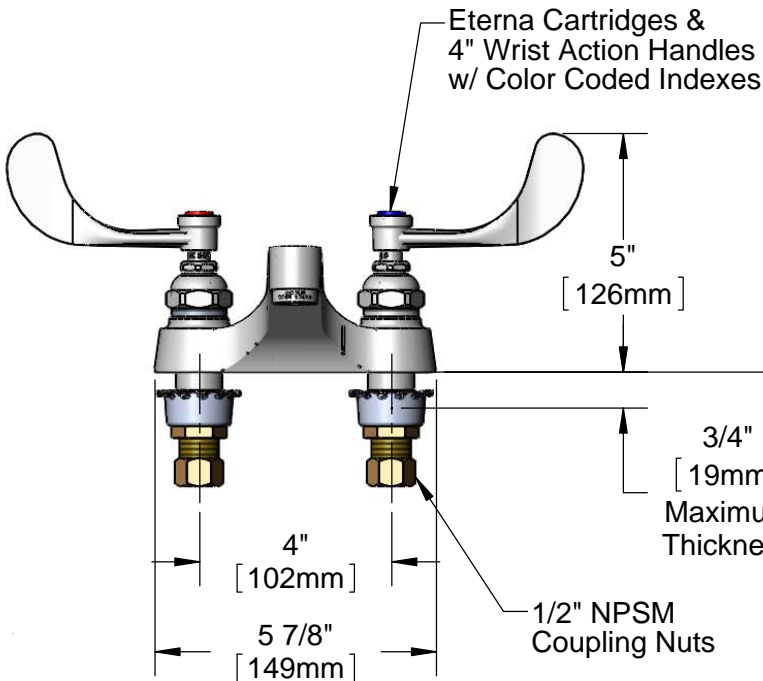
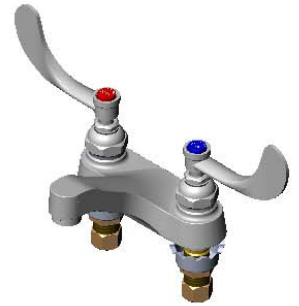
Customer/Wholesaler _____

Contractor _____

Architect/Engineer _____

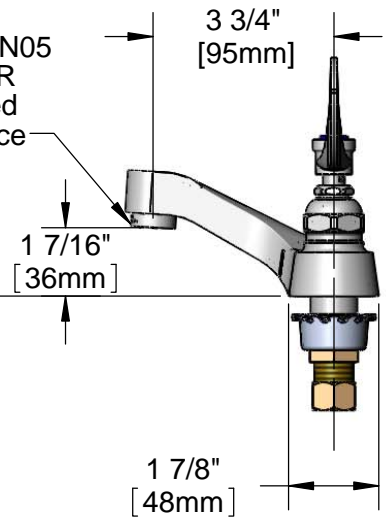


ADA Compliant



B-0199-08-N05
0.5 GPM VR
Non-Aerated
Spray Device

Mounting
Surface



Rough-in Requirement:
(2) \varnothing 1 1/8" [29mm] Holes

Product Specifications:

4" Centerset Deck Mount Mixing Faucet, Eterna Cartridges, 4" Wrist Action Handles & 0.5 GPM Vandal Resistant Non-Aerated Spray Device

Product Compliance:

ASME A112.18.1 / CSA B125.1
NSF 61 - Section 9
NSF 372 (Low Lead Content)
ANSI A117.1 (ADA)



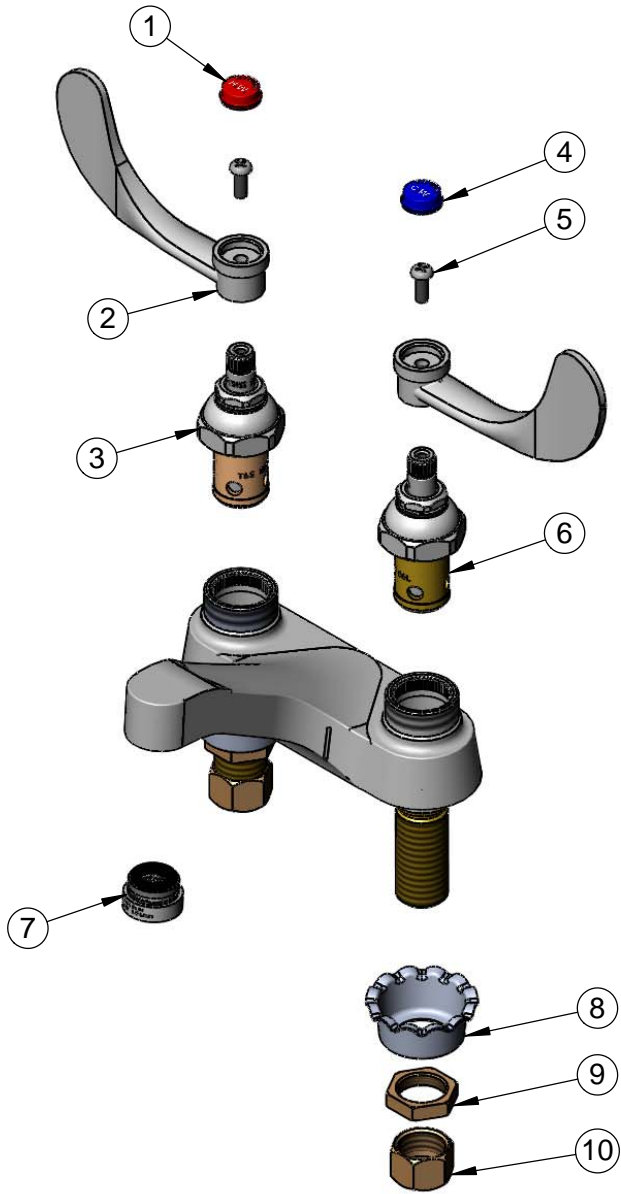
T&S BRASS AND BRONZE WORKS, INC.
 2 Saddleback Cove / P.O. Box 1088
 Travelers Rest, SC 29690

Model No.
B-0890-VF05

Item No.

Travelers Rest, SC: 800-476-4103 • Simi Valley, CA: 800-423-0150 • Fax: 864-834-3518 • www.tsbrass.com

ITEM NO.	SALES NO.	DESCRIPTION
1	001194-45	Red Index - HW
2	B-WH4	4" Wrist Action Handle
3	006010-40	Eterna Cartridge, RTC (Teflon)
4	001686-45	Blue Index - CW
5	000925-45	Lab Handle Screw
6	006009-40	Eterna Cartridge, LTC (Teflon)
7	B-0199-08-N05	VR 0.5 GPM Spray Device, 13/16-27 UN Male w/ Key
8	001000-45	Rosette Washer
9	002954-45	Shank Lock Nut
10	000958-20	Coupling Nut



015425-45
 Vandal Resistant Key
 (Included with Spray Device)

Product Specifications:
 4" Centerset Deck Mount Mixing Faucet, Eterna Cartridges, 4" Wrist Action Handles & 0.5 GPM Vandal Resistant Non-Aerated Spray Device

Product Compliance:
 ASME A112.18.1 / CSA B125.1
 NSF 61 - Section 9
 NSF 372 (Low Lead Content)
 ANSI A117.1 (ADA)