



**T&S BRASS AND BRONZE WORKS, INC.**  
 2 Saddleback Cove / P.O. Box 1088  
 Travelers Rest, SC 29690

Model No.  
**B-0890-QT-VR05**

Item No.

Travelers Rest, SC: 800-476-4103 • Simi Valley, CA: 800-423-0150 • Fax: 864-834-3518 • www.tsbrass.com



**ADA Compliant**

This Space for Architect/Engineer Approval

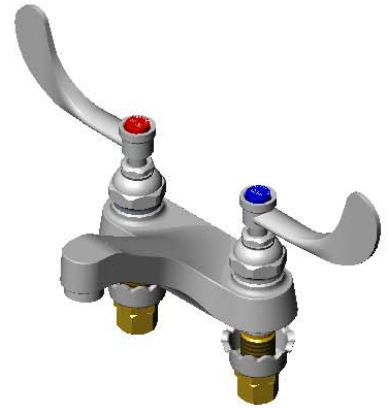
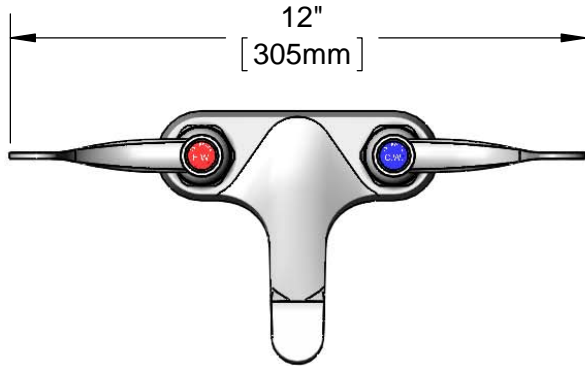
Job Name \_\_\_\_\_ Date \_\_\_\_\_

Model Specified \_\_\_\_\_ Quantity \_\_\_\_\_

Customer/Wholesaler \_\_\_\_\_

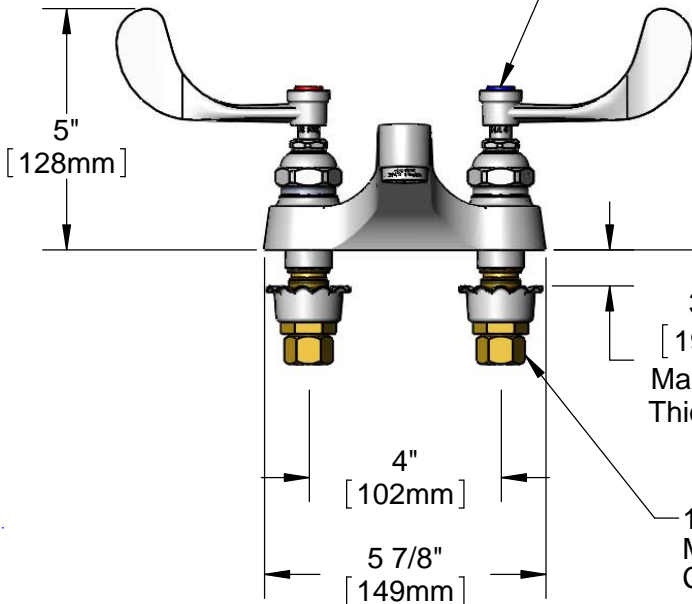
Contractor \_\_\_\_\_

Architect/Engineer \_\_\_\_\_



Quarter-Turn Eterna Cartridges  
 w/ 4" Wrist Action Handles,  
 Color Coded Indexes &  
 VR Screws

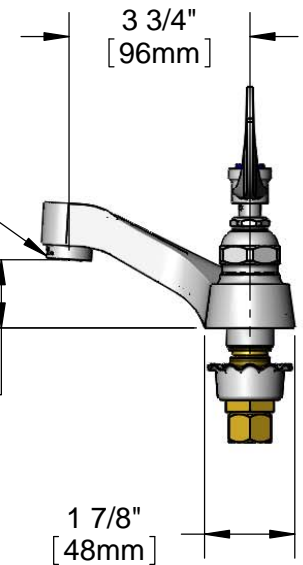
B-199-08-N05  
 0.5 GPM VR  
 Non-Aerated  
 Spray Device



Mounting Surface

3/4" [19mm]  
 Maximum  
 Thickness

1/2" NPSM  
 Male Shanks w/  
 Coupling Nuts



Rough-in Requirement:  
 (2)  $\phi$  1 1/8" [30mm] Holes

Product Specifications:  
 4" Centerset Deck Mount Mixing Faucet w/ Quarter-Turn Eterna Cartridges,  
 4" Wrist Action Handles, Vandal Resistant Screws, 0.5 GPM Vandal Resistant  
 Non-Aerated Spray Device & 1/2" NPSM Male Inlets w/ Coupling Nuts

Product Compliance:  
 ASME A112.18.1 / CSA B125.1  
 NSF 61 - Section 9  
 NSF 372 (Low Lead Content)  
 ANSI A117.1 (ADA)



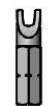
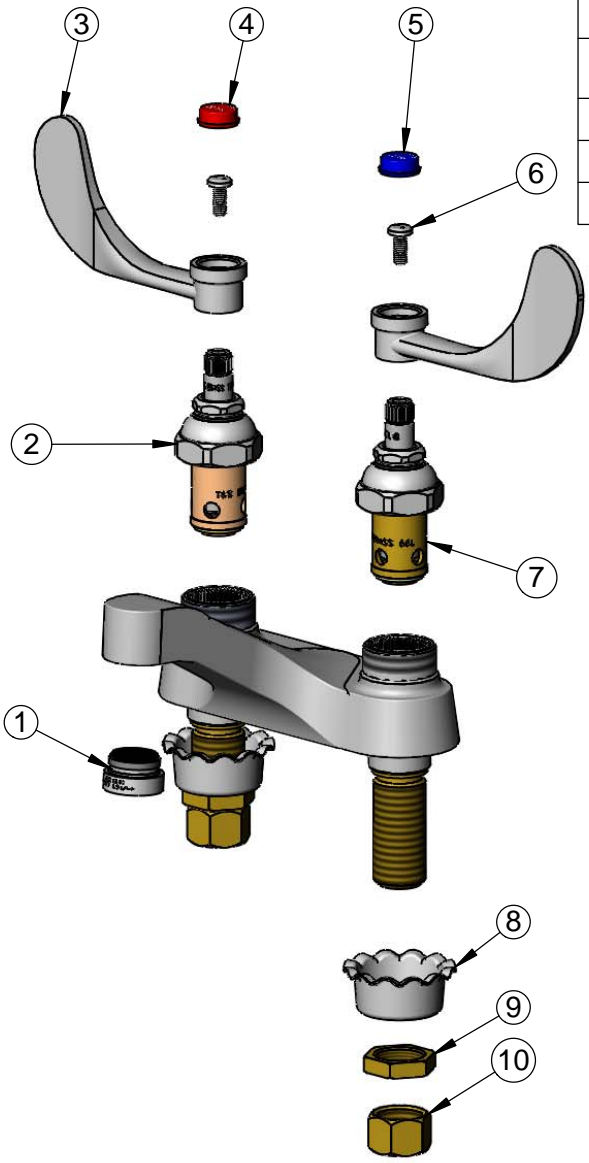
**T&S BRASS AND BRONZE WORKS, INC.**  
 2 Saddleback Cove / P.O. Box 1088  
 Travelers Rest, SC 29690

Model No.  
**B-0890-QT-VR05**

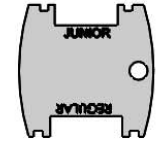
Item No.

Travelers Rest, SC: 800-476-4103 • Simi Valley, CA: 800-423-0150 • Fax: 864-834-3518 • www.tsbrass.com

ITEM NO.	SALES NO.	DESCRIPTION
1	B-0199-08-N05	0.5 GPM VR Spray Device, 13/16-27 UN Male
2	006010-40QT	Quarter-Turn Eterna Cartridge, RTC (Teflon)
3	B-WH4	4" Wrist Action Handle
4	001194-45	Red Index - HW
5	001686-45	Blue Index - CW
6	VRS-2	VR Wrist Action Handle Screw (2) w/ Spanner Bit
7	006009-40QT	Quarter-Turn Eterna Cartridge, LTC (Teflon)
8	001000-45	Rosette Washer
9	002954-45	Shank Lock Nut
10	000958-20	Coupling Nut



014075-45  
 #10 Spanner Bit



015425-45  
 Vandal Resistant Aerator Key  
 (Included with Spray Device)

**Product Specifications:**  
 4" Centerset Deck Mount Mixing Faucet w/ Quarter-Turn Eterna Cartridges,  
 4" Wrist Action Handles, Vandal Resistant Screws, 0.5 GPM Vandal Resistant  
 Non-Aerated Spray Device & 1/2" NPSM Male Inlets w/ Coupling Nuts

**Product Compliance:**  
 ASME A112.18.1 / CSA B125.1  
 NSF 61 - Section 9  
 NSF 372 (Low Lead Content)  
 ANSI A117.1 (ADA)