



# T&S BRASS AND BRONZE WORKS, INC.

2 Saddleback Cove / P.O. Box 1088  
Travelers Rest, SC 29690

Model No.

**B-0890-CR**

Item No.

Travelers Rest, SC: 800-476-4103 • Simi Valley, CA: 800-423-0150 • Fax: 864-834-3518 • www.tsbrass.com



**ADA Compliant**

This Space for Architect/Engineer Approval

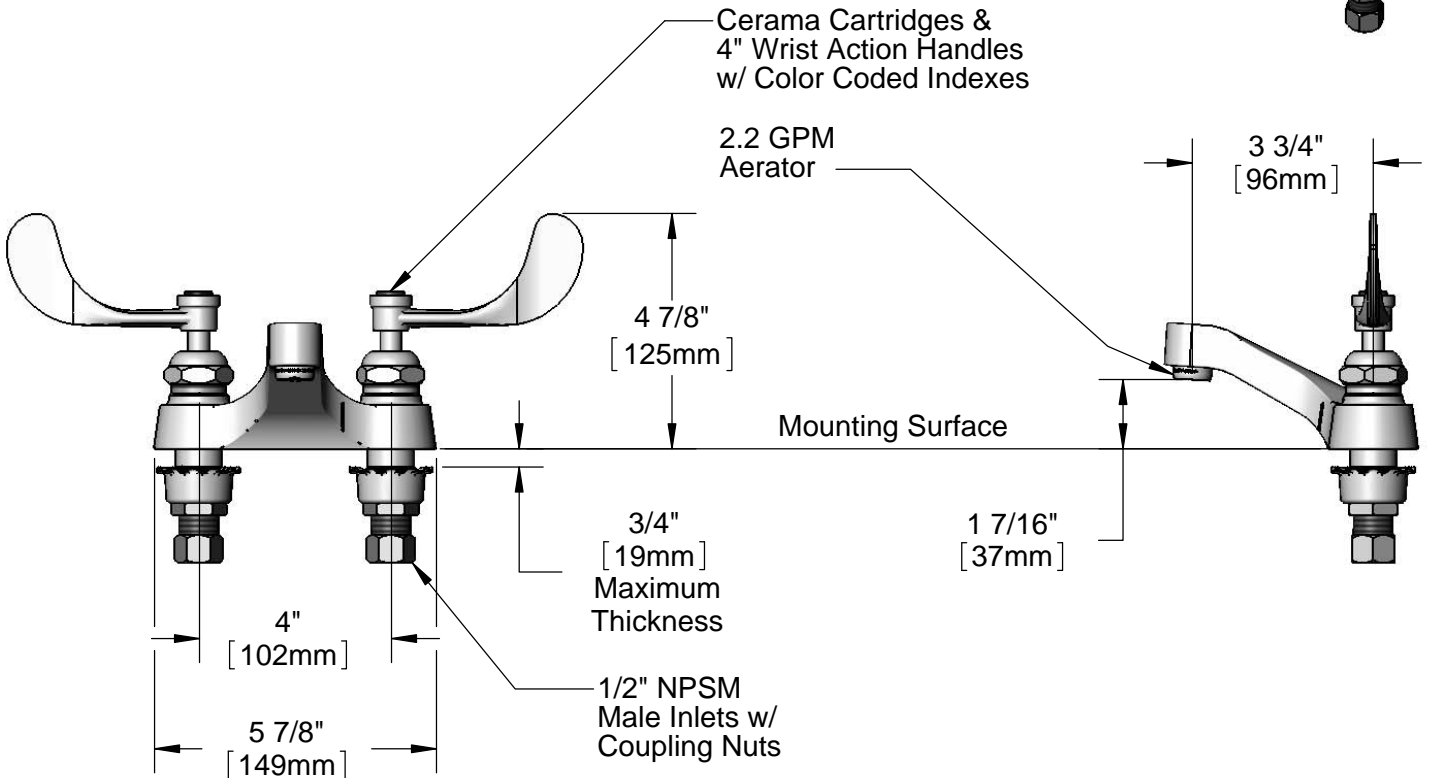
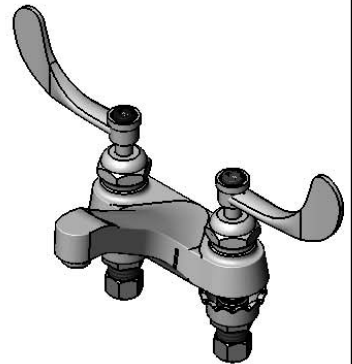
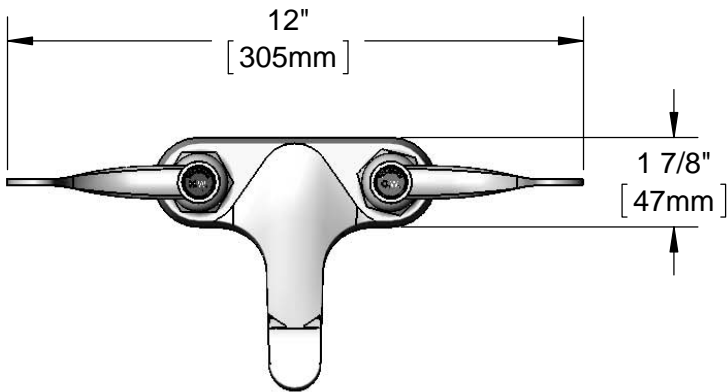
Job Name \_\_\_\_\_ Date \_\_\_\_\_

Model Specified \_\_\_\_\_ Quantity \_\_\_\_\_

Customer/Wholesaler \_\_\_\_\_

Contractor \_\_\_\_\_

Architect/Engineer \_\_\_\_\_



**Rough-In Requirement:**  
Ø 1 1/8" [29mm] Mounting Holes

**Product Specifications:**  
4" Medical Deck Mount Mixing Faucet, Cerama Cartridges, 4" Wrist Action Handles, 2.2 GPM Aerator & 1/2" NPSM Male Inlets w/ Coupling Nuts

**Product Compliance:**  
ASME A112.18.1 / CSA B125.1  
NSF 61 - Section 9  
NSF 372 (Low Lead Content)  
ANSI A117.1 (ADA)

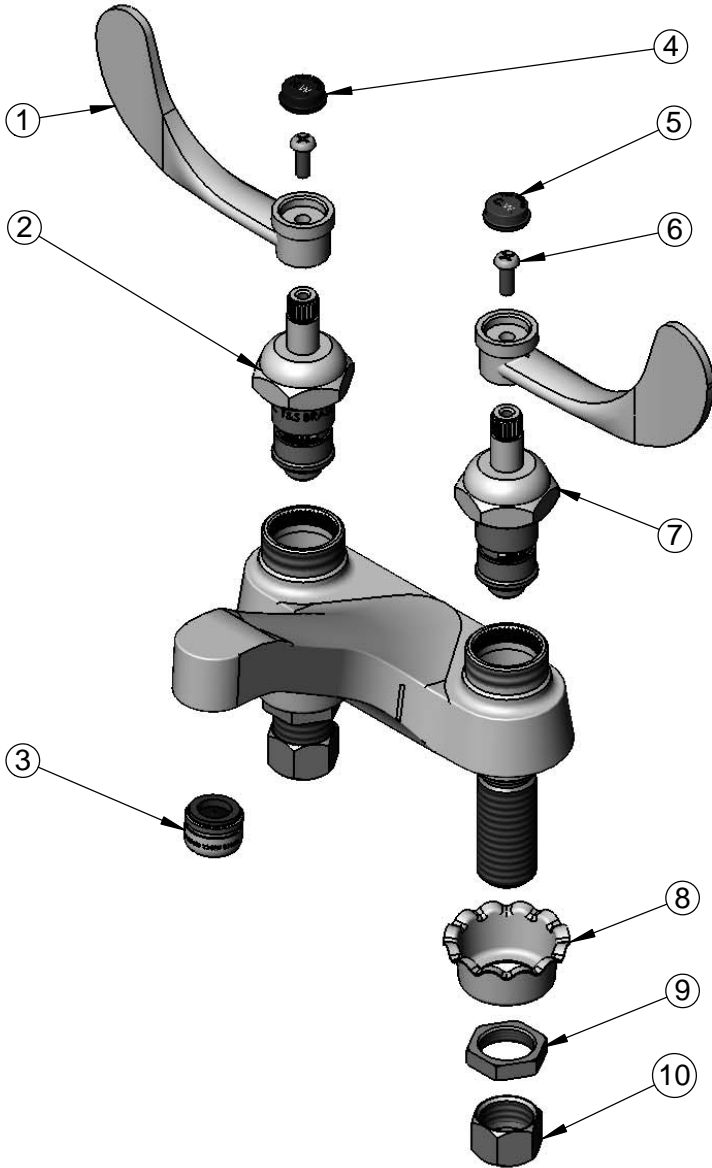


**T&S BRASS AND BRONZE WORKS, INC.**  
 2 Saddleback Cove / P.O. Box 1088  
 Travelers Rest, SC 29690

Model No.  
**B-0890-CR**  
 Item No.

Travelers Rest, SC: 800-476-4103 • Simi Valley, CA: 800-423-0150 • Fax: 864-834-3518 • www.tsbrass.com

ITEM NO.	SALES NO.	DESCRIPTION
1	B-WH4	4" Wrist Action Handle
2	011278-25	Cerama Cartridge - RTC
3	B-0199-03	2.2 GPM Aerator, 13/16-27 UN Male
4	001194-45	Red Index - HW
5	001686-45	Blue Index - CW
6	000925-45	Lab Handle Screw
7	011279-25	Cerama Cartridge - LTC
8	001000-45	Rosette Washer
9	002954-45	Shank Lock Nut
10	000958-20	Coupling Nut



**Product Specifications:**

4" Medical Deck Mount Mixing Faucet, Cerama Cartridges, 4" Wrist Action Handles, 2.2 GPM Aerator & 1/2" NPSM Male Inlets w/ Coupling Nuts

**Product Compliance:**

ASME A112.18.1 / CSA B125.1  
 NSF 61 - Section 9  
 NSF 372 (Low Lead Content)  
 ANSI A117.1 (ADA)