



T&S BRASS AND BRONZE WORKS, INC.
 2 Saddleback Cove / P.O. Box 1088
 Travelers Rest, SC 29690

Model No.
B-0890-CR-WS

Item No.

Travelers Rest, SC: 800-476-4103 • Simi Valley, CA: 800-423-0150 • Fax: 864-834-3518 • www.tsbrass.com



ADA Compliant



This Space for Architect/Engineer Approval

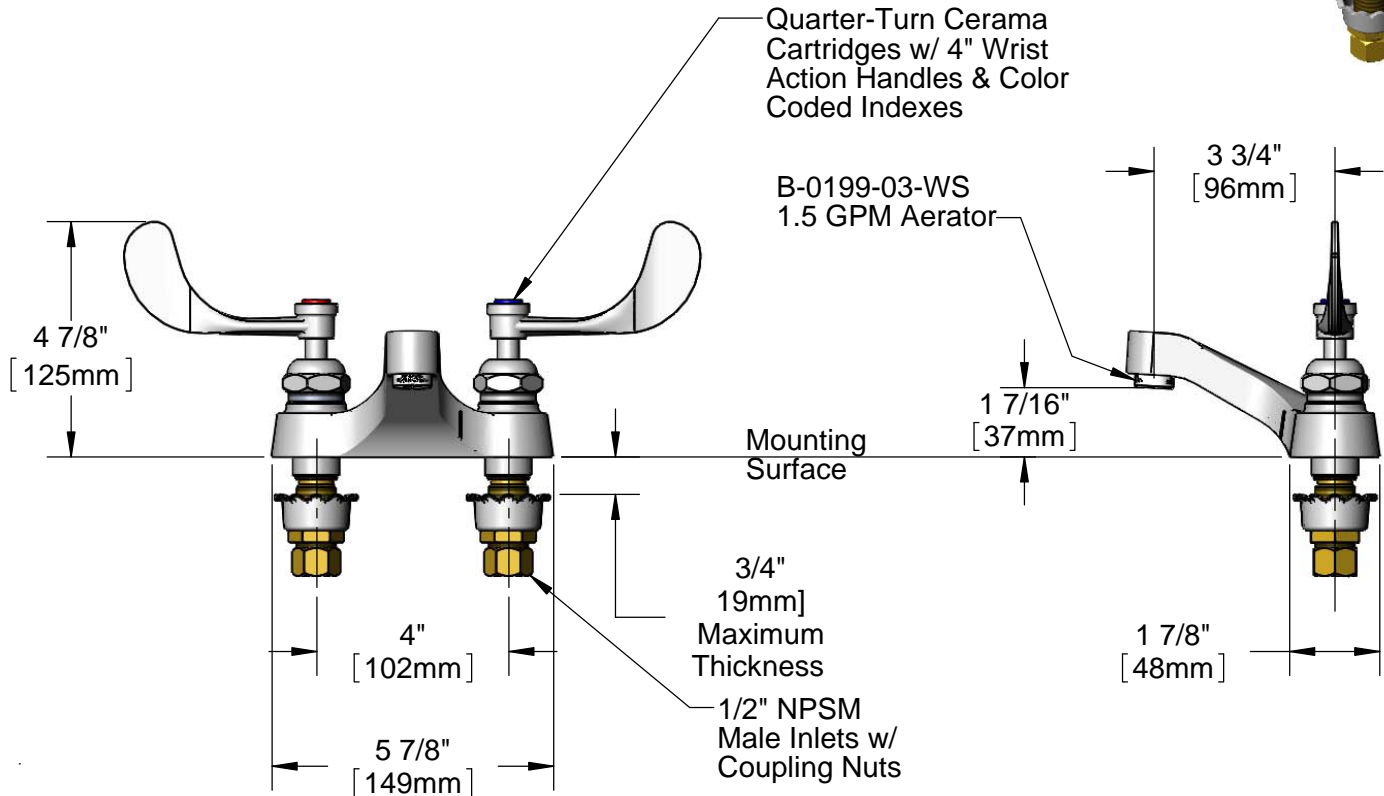
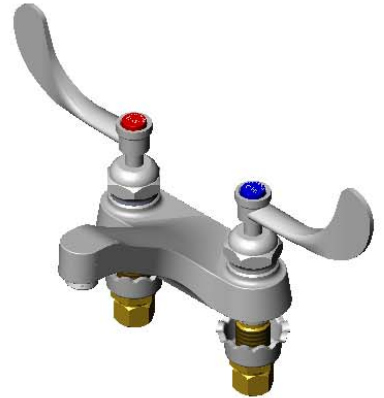
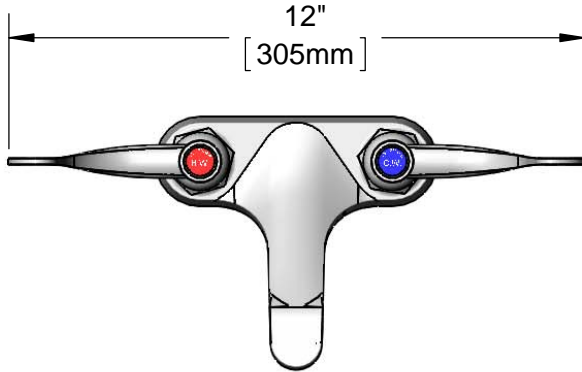
Job Name _____ Date _____

Model Specified _____ Quantity _____

Customer/Wholesaler _____

Contractor _____

Architect/Engineer _____



Rough-In Requirement:
 ϕ 1 1/8" [29mm] Mounting Holes

Product Specifications:
 4" Centerset Deck Mount Mixing Faucet, Quarter-Turn Cerama Cartridges,
 4" Wrist Action Handles, 1.5 GPM Aerator and 1/2" NPSM Male Inlets

Product Compliance:
 ASME A112.18.1 / CSA B125.1
 NSF 61 - Section 9
 NSF 372 (Low Lead Content)
 EPA WaterSense
 ANSI A117.1 (ADA)

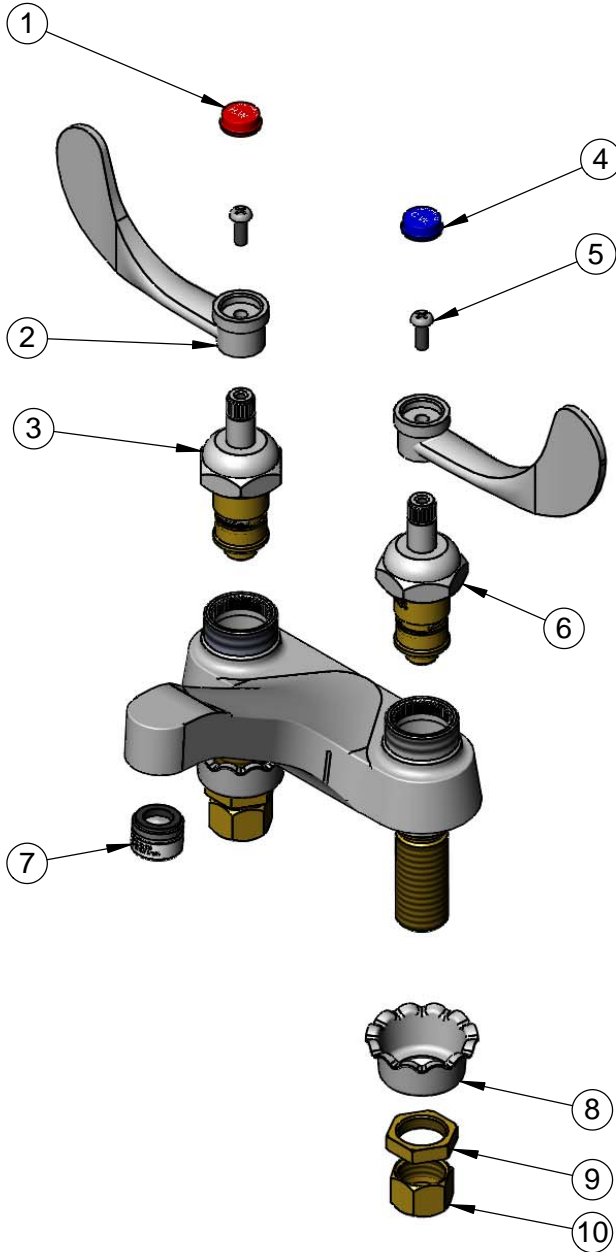


T&S BRASS AND BRONZE WORKS, INC.
 2 Saddleback Cove / P.O. Box 1088
 Travelers Rest, SC 29690

Model No.
B-0890-CR-WS
 Item No.

Travelers Rest, SC: 800-476-4103 • Simi Valley, CA: 800-423-0150 • Fax: 864-834-3518 • www.tsbrass.com

| ITEM NO. | SALES NO. | DESCRIPTION |
|----------|--------------|------------------------------------|
| 1 | 001194-45 | Red Index - HW |
| 2 | B-WH4 | 4" Wrist Action Handle |
| 3 | 011278-25 | Quarter-Turn Cerama Cartridge, RTC |
| 4 | 001686-45 | Blue Index - CW |
| 5 | 000925-45 | Lab Handle Screw |
| 6 | 011279-25 | Quarter-Turn Cerama Cartridge, LTC |
| 7 | B-0199-03-WS | 1.5 GPM Aerator, 13/16-27 UN Male |
| 8 | 001000-45 | Rosette Washer |
| 9 | 002954-45 | Shank Lock Nut |
| 10 | 000958-20 | Coupling Nut |



Product Specifications:
 4" Centerset Deck Mount Mixing Faucet, Quarter-Turn Cerama Cartridges,
 4" Wrist Action Handles, 1.5 GPM Aerator and 1/2" NPSM Male Inlets

Product Compliance:
 ASME A112.18.1 / CSA B125.1
 NSF 61 - Section 9
 NSF 372 (Low Lead Content)
 EPA WaterSense
 ANSI A117.1 (ADA)