



T&S BRASS AND BRONZE WORKS, INC.

2 Saddleback Cove / P.O. Box 1088
Travelers Rest, SC 29690

Model No.

B-0890-177F

Item No.

Travelers Rest, SC: 800-476-4103 • Simi Valley, CA: 800-423-0150 • Fax: 864-834-3518 • www.tsbrass.com



ADA Compliant

This Space for Architect/Engineer Approval

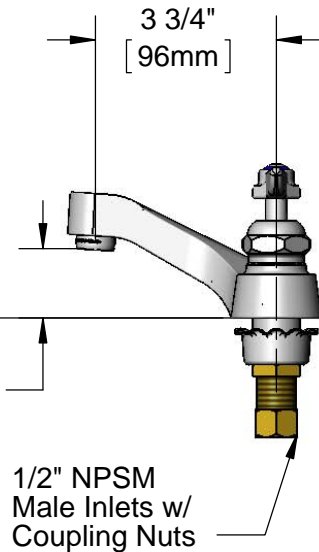
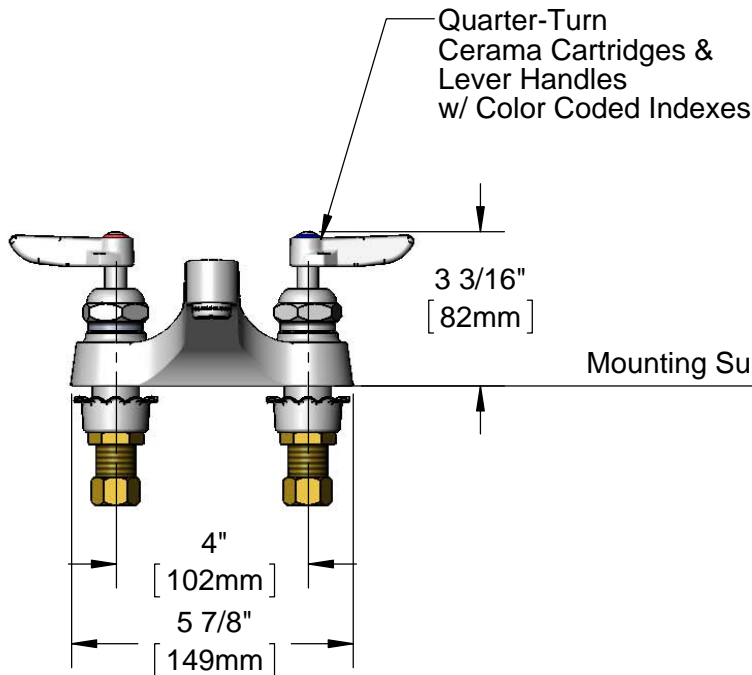
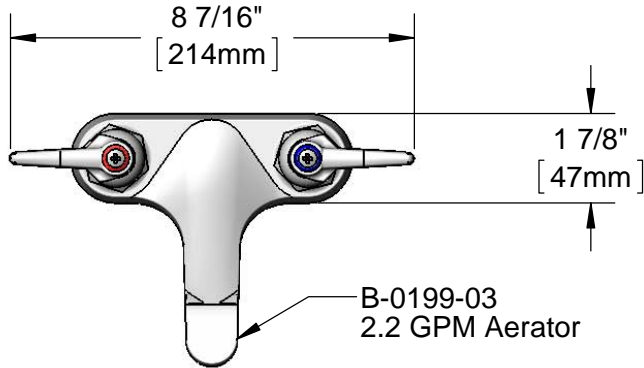
Job Name _____ Date _____

Model Specified _____ Quantity _____

Customer/Wholesaler _____

Contractor _____

Architect/Engineer _____



Rough-In Requirement:
Ø 1 1/8" [29mm] Mounting Holes

Product Specifications:
4" Centerset Deck Mount Mixing Faucet, Quarter-Turn Cerama Cartridges, Lever Handles, 2.2 GPM Aerator & 1/2" NPSM Male Inlets w/ Coupling Nuts

Product Compliance:
ASME A112.18.1 / CSA B125.1
NSF 61 - Section 9
NSF 372 (Low Lead Content)
ANSI A117.1 (ADA)

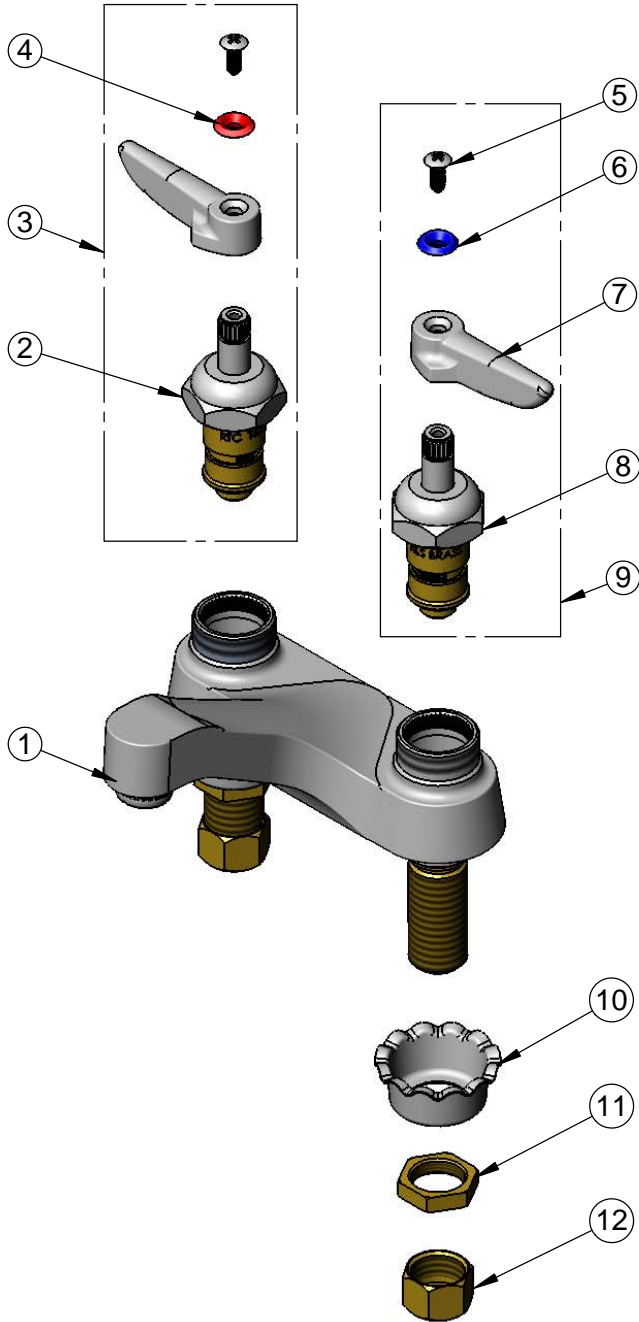


T&S BRASS AND BRONZE WORKS, INC.
 2 Saddleback Cove / P.O. Box 1088
 Travelers Rest, SC 29690

Model No.
B-0890-177F

Item No.

Travelers Rest, SC: 800-476-4103 • Simi Valley, CA: 800-423-0150 • Fax: 864-834-3518 • www.tsbrass.com



| ITEM NO. | SALES NO. | DESCRIPTION |
|----------|-----------|---|
| 1 | B-0199-03 | 2.2 GPM Aerator, 13/16-27 UN Male |
| 2 | 011278-25 | Quarter-Turn Cerama Cartridge, RTC |
| 3 | 012445-25 | Quarter-Turn Cerama Cartridge, RTC w/ Handle, Index & Screw |
| 4 | 001661-45 | Red Index-HW |
| 5 | 000922-45 | Lever Handle Screw |
| 6 | 001660-45 | Blue Index-CW |
| 7 | 001638-45 | Lever Handle |
| 8 | 011279-25 | Quarter-Turn Cerama Cartridge, LTC |
| 9 | 012444-25 | Quarter-Turn Cerama Cartridge, LTC w/ Handle, Index & Screw |
| 10 | 001000-45 | Rosette Washer |
| 11 | 002954-45 | Shank Lock Nut |
| 12 | 000958-20 | Coupling Nut |

Product Specifications:
 4" Centerset Deck Mount Mixing Faucet, Quarter-Turn Cerama Cartridges, Lever Handles, 2.2 GPM Aerator & 1/2" NPSM Male Inlets w/ Coupling Nuts

Product Compliance:
 ASME A112.18.1 / CSA B125.1
 NSF 61 - Section 9
 NSF 372 (Low Lead Content)
 ANSI A117.1 (ADA)