



**T&S BRASS AND BRONZE WORKS, INC.**

2 SADDLEBACK COVE / P.O. BOX 1088 / TRAVELERS REST, SC 29690

PHONE 800-476-4103

FAX 803- 834-3518



REG.#A2601  
ISO #9002

Model No.

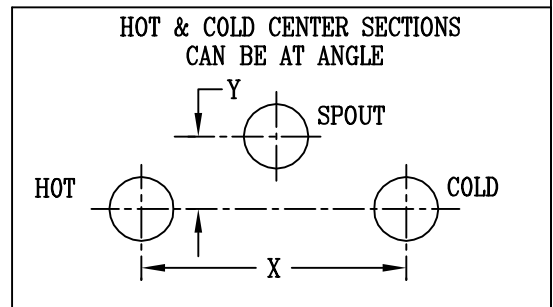
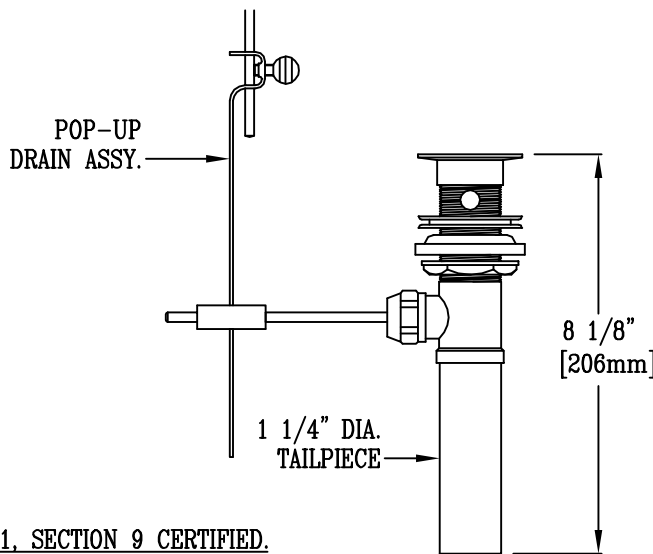
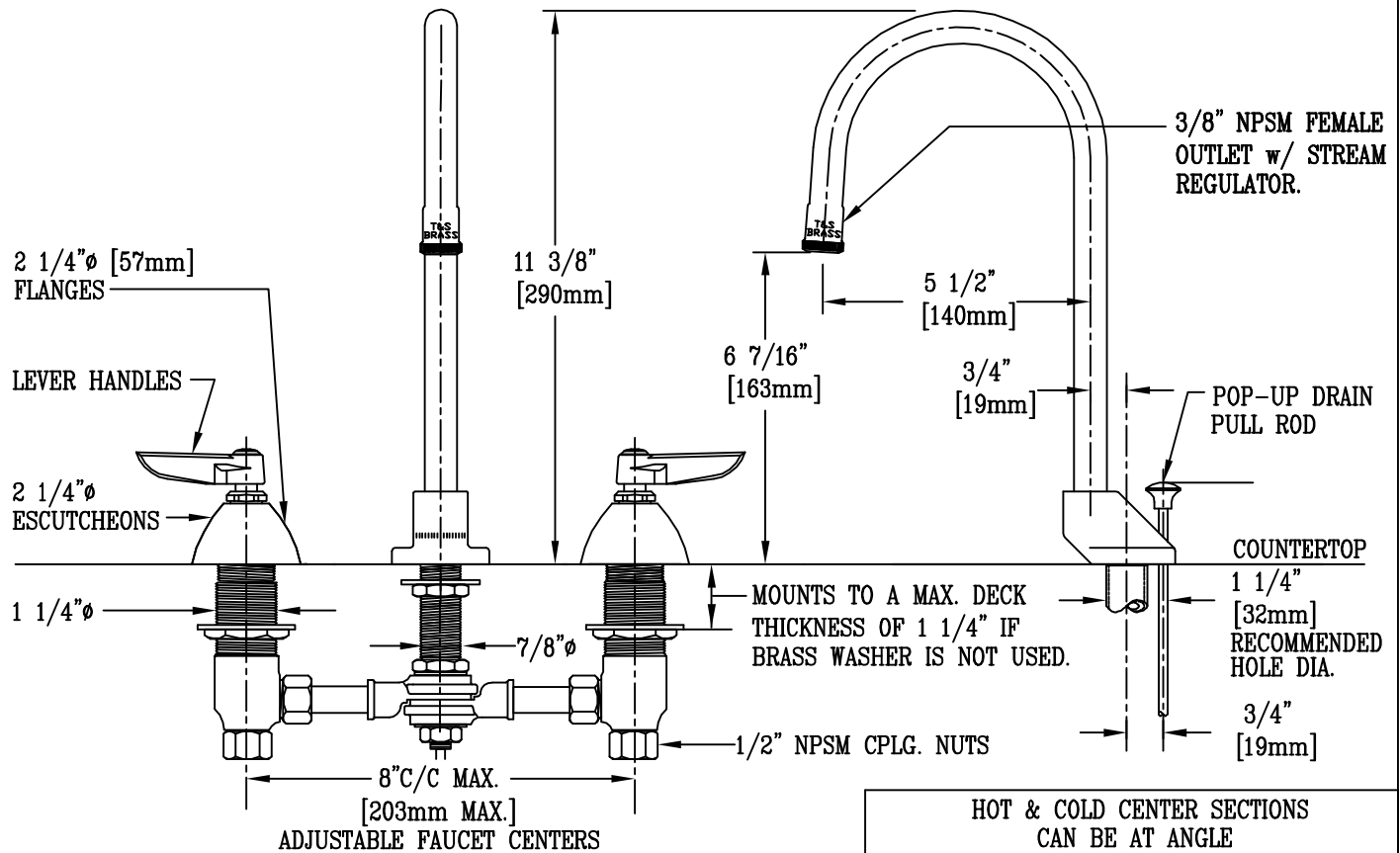
B-0885

Item No.:

Job Name:

Architect/Engineer Approval:

Notes:



IF Y IS	THEN FAUCET WILL FIT X WITH STD. 1/4" NPT CROSS PIPES FURNISHED
1/2"	8"
1"	7 3/4"
1 1/2"	7 3/8"
2"	7"

NSF STANDARD 61, SECTION 9 CERTIFIED.

Product Description:  
DECK MOUNTED MIXING FAUCET WITH ADJUSTABLE INLET CENTERS, POP-UP DRAIN, LEVER HANDLES, & 120X RIGID GOOSENECK

Drawn: TEH	Checked WJS	Scale: 3" = 1'
Approved MVW	Date: 2/10/03	