



# T&S BRASS AND BRONZE WORKS, INC.

2 Saddleback Cove / P.O. Box 1088  
Travelers Rest, SC 29690

Model No.

**B-0874-05CR-VRS**

Item No.

Travelers Rest, SC: 800-476-4103 • Simi Valley, CA: 800-423-0150 • Fax: 864-834-3518 • www.tsbrass.com



**ADA Compliant**

This Space for Architect/Engineer Approval

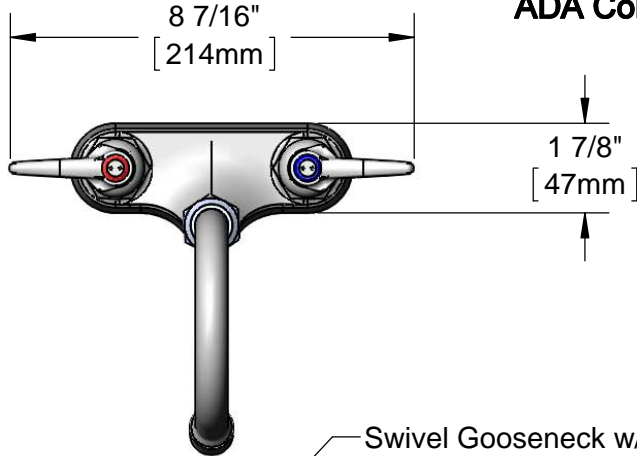
Job Name \_\_\_\_\_ Date \_\_\_\_\_

Model Specified \_\_\_\_\_ Quantity \_\_\_\_\_

Customer/Wholesaler \_\_\_\_\_

Contractor \_\_\_\_\_

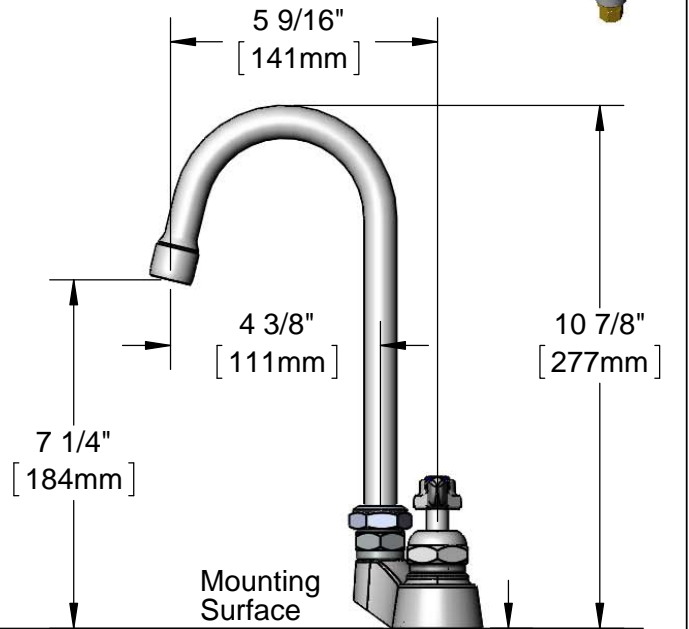
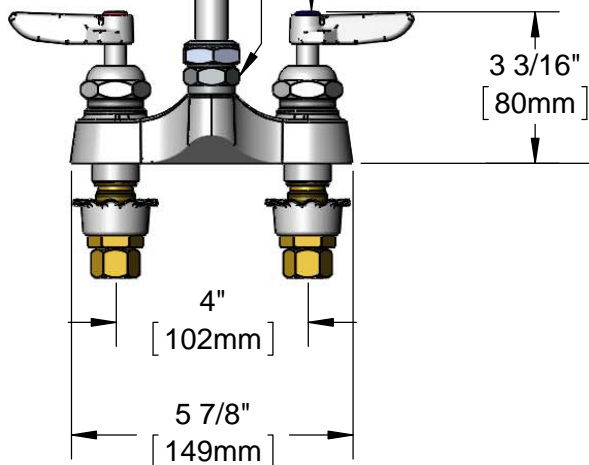
Architect/Engineer \_\_\_\_\_



Swivel Gooseneck w/  
B-0199-01  
2.2 GPM Aerator  
Rigid Conversion Requires  
014200-45 Lock Washer  
(Included)

Rigid to Swivel Adapter

Quarter-Turn Cerama  
Cartridges & Lever Handles  
w/ Vandal Resistant Screws  
& Color Coded Indexes



Mounting  
Surface

1/2" NPSM  
Male Inlets w/  
Coupling Nuts

3/4"  
[19mm]  
Maximum  
Thickness

Rough-In Requirement:  
(2)  $\varnothing$  1 1/8" [29mm] Mounting Holes

**Product Specifications:**

4" Centerset Deck Mount Mixing Faucet, Quarter-Turn Eterna Cartridges, 4" Wrist Action Handles, Swivel Gooseneck, 2.2 GPM Aerator, Rigid to Swivel Adapter & 1/2" NPSM Male Inlets

**Product Compliance:**

ASME A112.18.1 / CSA B125.1  
NSF 61 - Section 9  
NSF 372 (Low Lead Content)  
ANSI A117.1 (ADA)



# T&S BRASS AND BRONZE WORKS, INC.

2 Saddleback Cove / P.O. Box 1088  
Travelers Rest, SC 29690

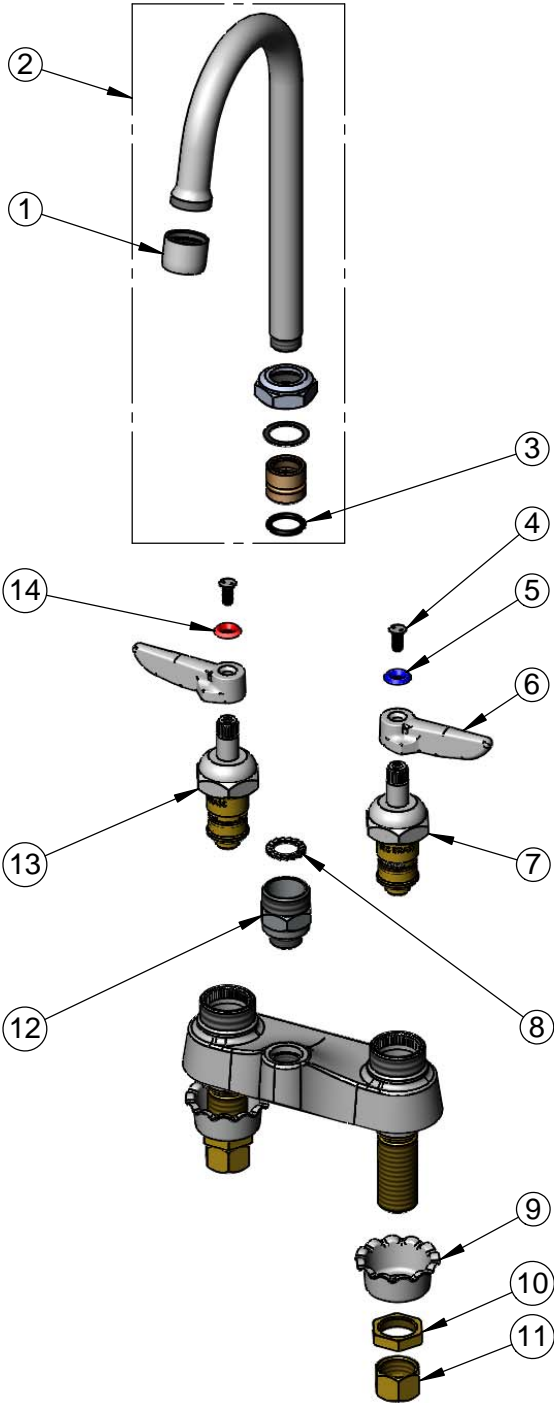
Model No.

**B-0874-05CR-VRS**

Item No.

Travelers Rest, SC: 800-476-4103 • Simi Valley, CA: 800-423-0150 • Fax: 864-834-3518 • www.tsbrass.com

ITEM NO.	SALES NO.	DESCRIPTION
1	B-0199-01	2.2 GPM Aerator, 55/64-27 UN Female
2	017907-40	Swivel Gooseneck
3	001074-45	O-Ring
4	VRS-1	VR Lever Handle Screw w/ Spanner Bit
5	001660-45	Blue Index-CW
6	001638-45	Lever Handle
7	011279-25	Quarter-Turn Cerama Cartridge, LTC
8	014200-45	Star Washer, Anti-Rotation
9	001000-45	Rosette Washer
10	002954-45	Shank Lock Nut
11	000958-20	Coupling Nut
12	B-0412	Rigid to Swivel Adapter
13	011278-25	Quarter-Turn Cerama Cartridge, RTC
14	001661-45	Red Index-HW



  
 014075-45  
 Vandal Resistant  
 #10 Spanner Bit

**Product Specifications:**

4" Centerset Deck Mount Mixing Faucet, Quarter-Turn Eterna Cartridges, 4" Wrist Action Handles, Swivel Gooseneck, 2.2 GPM Aerator, Rigid to Swivel Adapter & 1/2" NPSM Male Inlets

**Product Compliance:**

ASME A112.18.1 / CSA B125.1  
NSF 61 - Section 9  
NSF 372 (Low Lead Content)  
ANSI A117.1 (ADA)