



# T&S BRASS AND BRONZE WORKS, INC.

2 Saddleback Cove / P.O. Box 1088  
Travelers Rest, SC 29690

Model No.

**B-0871CR-PRISON**

Item No.

Travelers Rest, SC: 800-476-4103 • Simi Valley, CA: 800-423-0150 • Fax: 864-834-3518 • www.tsbrass.com



**ADA Compliant**

This Space for Architect/Engineer Approval

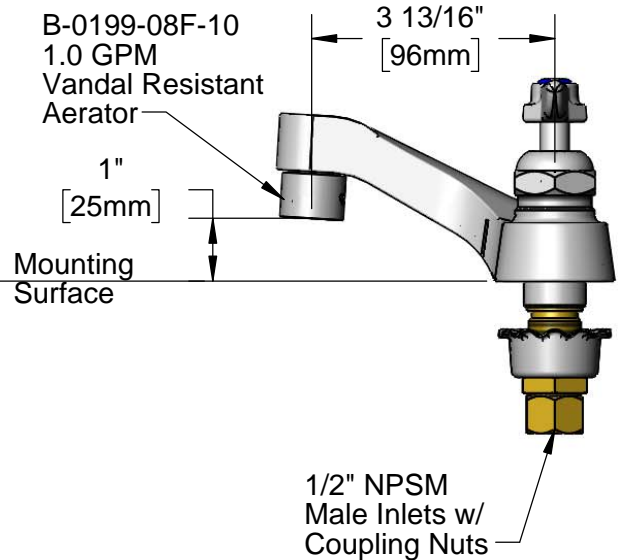
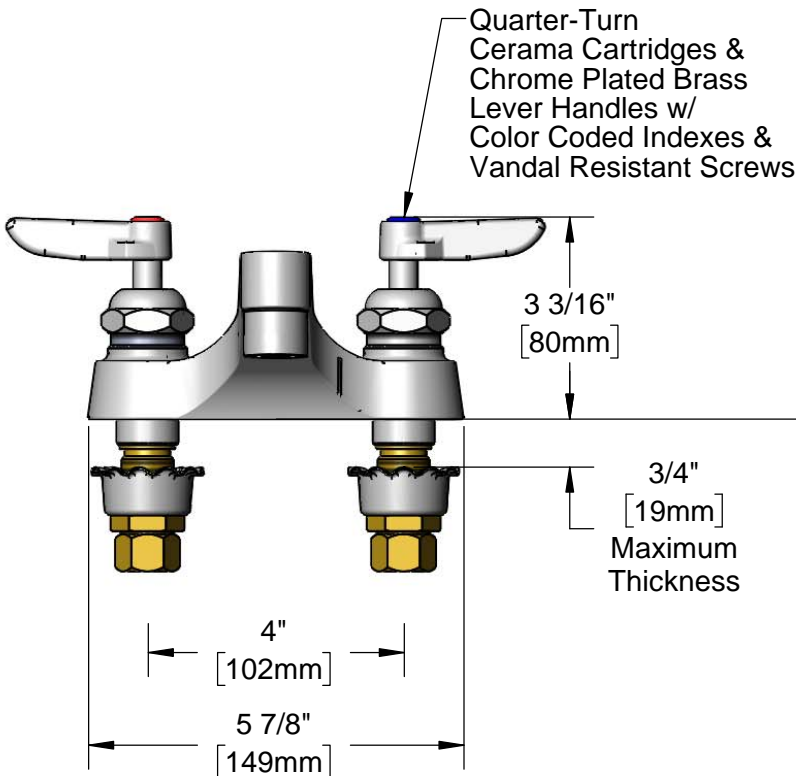
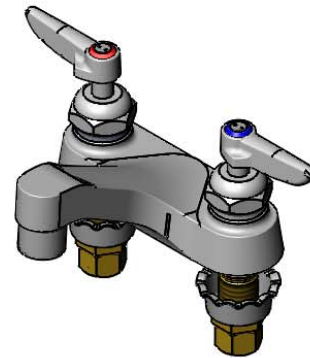
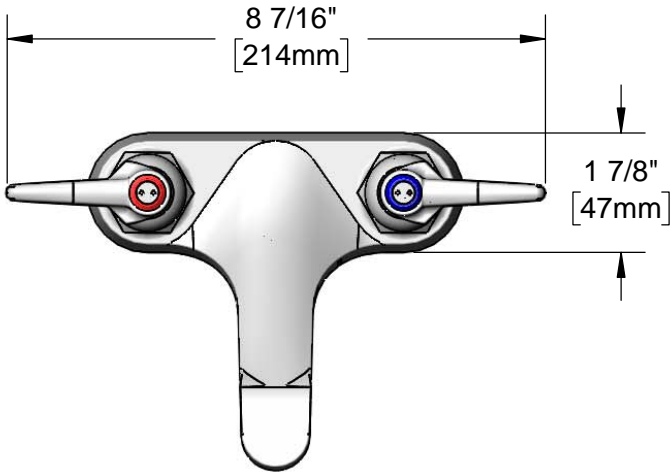
Job Name \_\_\_\_\_ Date \_\_\_\_\_

Model Specified \_\_\_\_\_ Quantity \_\_\_\_\_

Customer/Wholesaler \_\_\_\_\_

Contractor \_\_\_\_\_

Architect/Engineer \_\_\_\_\_



**Rough-In Requirement:**  
(2)  $\varnothing$  1 1/8" [29mm] Mounting Holes

**Product Specifications:**  
4" Centerset Deck Mount Mixing Faucet, Quarter-Turn Cerama Cartridges, Solid Brass Lever Handles with Vandal Resistant Screws, 1.0 GPM Vandal Resistant Aerator & 1/2" NPSM Male Inlets w/ Coupling Nuts

**Product Compliance:**  
ASME A112.18.1 / CSA B125.1  
NSF 61 - Section 9  
NSF 372 (Low Lead Content)  
ANSI A117.1 (ADA)



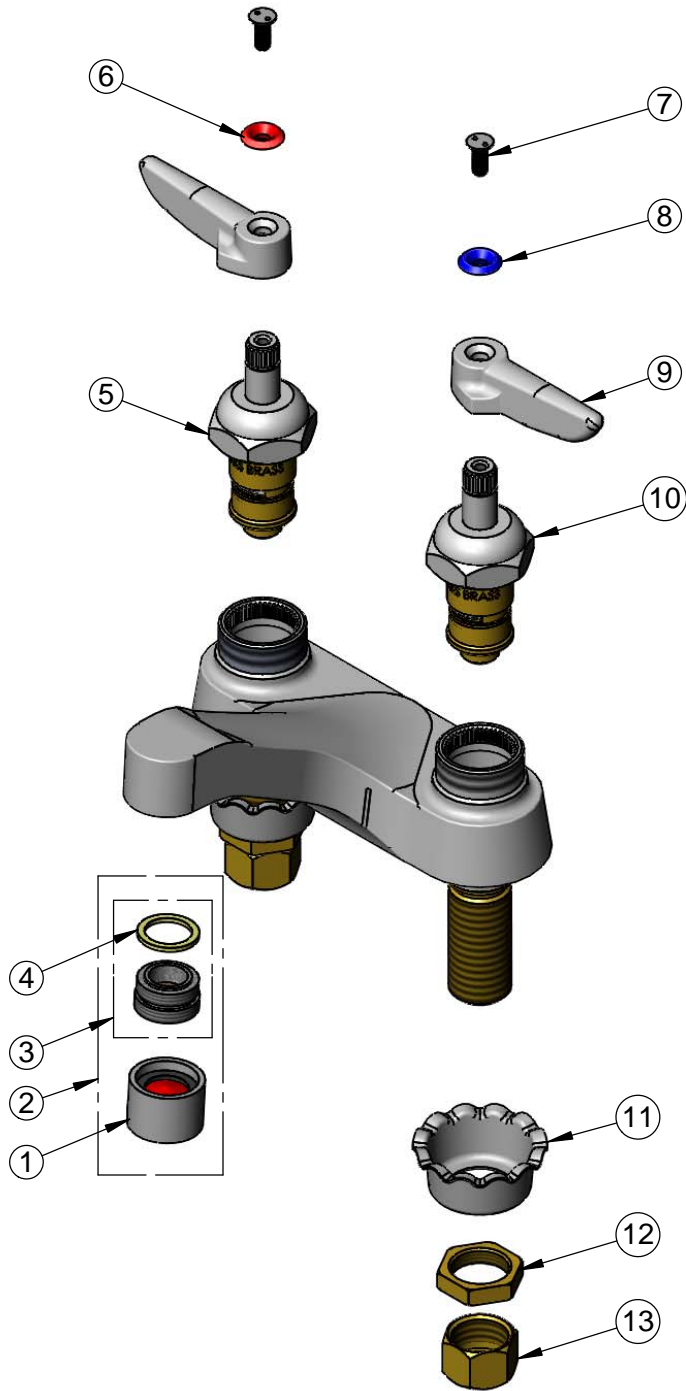
**T&S BRASS AND BRONZE WORKS, INC.**  
 2 Saddleback Cove / P.O. Box 1088  
 Travelers Rest, SC 29690

Model No.  
**B-0871CR-PRISON**

Item No.

Travelers Rest, SC: 800-476-4103 • Simi Valley, CA: 800-423-0150 • Fax: 864-834-3518 • www.tsbrass.com

ITEM NO.	SALES NO.	DESCRIPTION
1	B-0199-06-F10	VR 1.0 GPM Aerator, 55/64-27 Female
2	B-0199-08-F10	VR 1.0 GPM Aerator, 13/16-27 Male
3	001651-47	Aerator Adapter, 55/64-27 UN x 13/16-27 UN
4	001048-45	Nozzle Tip Washer
5	011278-25	Quarter-Turn Cerama Cartridge, RTC
6	001661-45	Red Index-HW
7	VRS-1	VR Lever Handle Screw (2) w/ Spanner Bit
8	001660-45	Blue Index-CW
9	010027-40	Solid Brass Chrome Plated Lever Handle
10	011279-25	Quarter-Turn Cerama Cartridge, LTC
11	001000-45	Rosette Washer
12	002954-45	Shank Lock Nut
13	000958-20	Coupling Nut



014075-45  
 Spanner Bit  
 (Included)

**Product Specifications:**  
 4" Centerset Deck Mount Mixing Faucet, Quarter-Turn Cerama Cartridges, Solid Brass Lever Handles with Vandal Resistant Screws, 1.0 GPM Vandal Resistant Aerator & 1/2" NPSM Male Inlets w/ Coupling Nuts

**Product Compliance:**  
 ASME A112.18.1 / CSA B125.1  
 NSF 61 - Section 9  
 NSF 372 (Low Lead Content)  
 ANSI A117.1 (ADA)