



**T&S BRASS AND BRONZE WORKS, INC.**

2 Saddleback Cove / P.O. Box 1088  
Travelers Rest, SC 29690

Model No.

**B-0871-VR-CH-QT**

Item No.

Travelers Rest, SC: 800-476-4103 • Simi Valley, CA: 800-423-0150 • Fax: 864-834-3518 • www.tsbrass.com

This Space for Architect/Engineer Approval

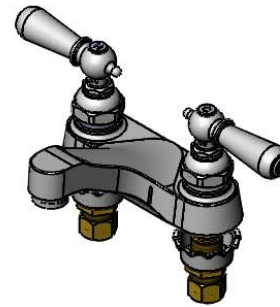
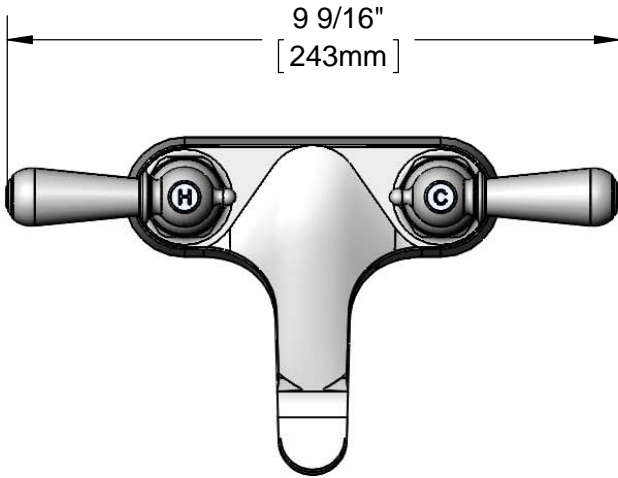
Job Name \_\_\_\_\_ Date \_\_\_\_\_

Model Specified \_\_\_\_\_ Quantity \_\_\_\_\_

Customer/Wholesaler \_\_\_\_\_

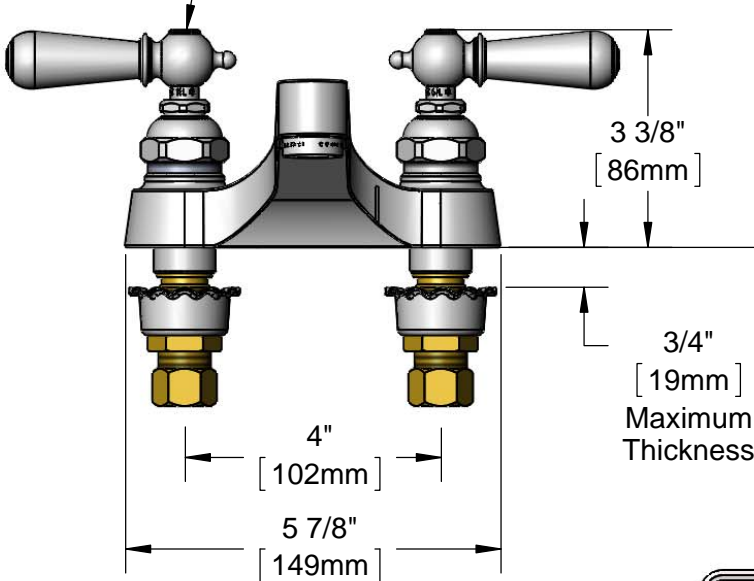
Contractor \_\_\_\_\_

Architect/Engineer \_\_\_\_\_

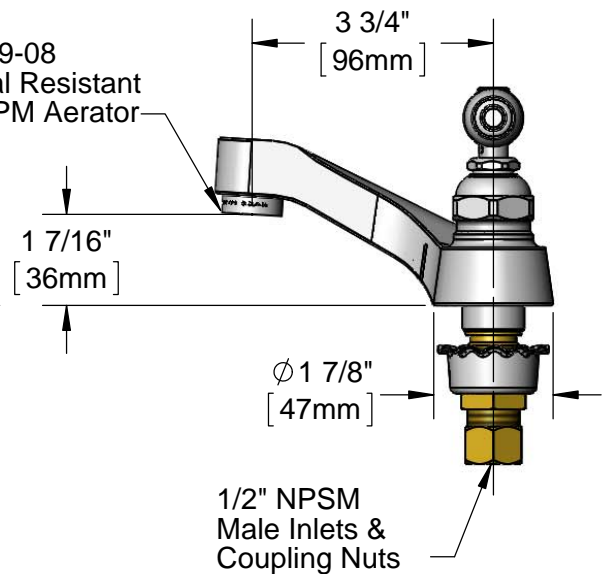


**ADA Compliant**

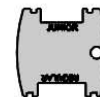
Quarter-Turn  
Eterna Cartridges w/  
Decorative Club Handles,  
Coded Indexes &  
Vandal Resistant  
Handle Screws



B-0199-08  
Vandal Resistant  
2.2 GPM Aerator



Furnished w/  
010587-45  
VR Hex Key for VR Screws



Furnished w/  
015425-45  
VR Aerator Key

Rough-in Requirement:  
(2)  $\phi$  1 1/8" [29mm] Mounting Holes

Product Specifications:  
4" Centerset Mixing Faucet, Quarter-Turn Eterna Cartridges, Decorative Club Handles, Vandal Resistant Screws, Vandal Resistant 2.2 GPM Aerator and 1/2" NPSM Male Inlets

Product Compliance:  
ASME A112.18.1 / CSA B125.1  
NSF 61 - Section 9  
NSF 372 (Low Lead Content)  
ANSI A117.1 (ADA)

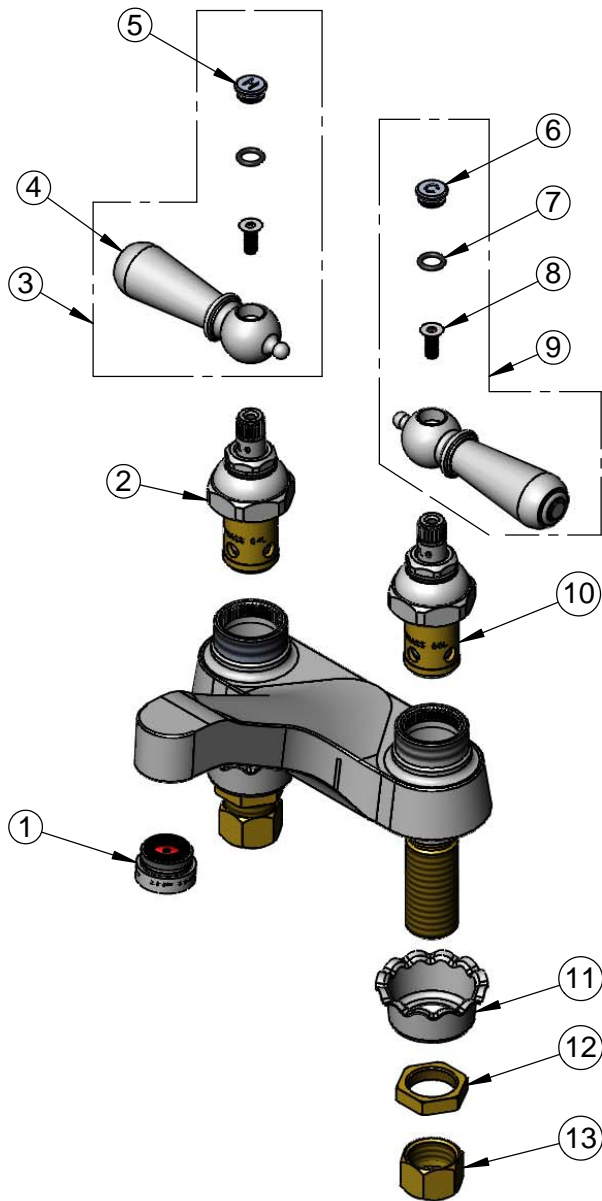


**T&S BRASS AND BRONZE WORKS, INC.**  
 2 Saddleback Cove / P.O. Box 1088  
 Travelers Rest, SC 29690

Model No.  
**B-0871-VR-CH-QT**  
 Item No.

Travelers Rest, SC: 800-476-4103 • Simi Valley, CA: 800-423-0150 • Fax: 864-834-3518 • www.tsbrass.com

ITEM NO.	SALES NO.	DESCRIPTION
1	B-0199-08	VR 2.2 GPM Aerator, 13/16-27 UN Male w/ Key
2	005960-40QT	Quarter-Turn Eterna Cartridge, RTC
3	009332-41	Decorative Club Handle - Hot
4	017229-45	Club Handle
5	009303-41	Decorative Cap Insert, Hot
6	009304-41	Decorative Cap Insert, Cold
7	001066-45	O-Ring
8	B-VRS	Pin-In-Socket Screw w/ Hex Key
9	009331-40	Decorative Club Handle - Cold
10	005959-40QT	Quarter-Turn Eterna Cartridge, LTC
11	001000-45	Rosette Washer
12	002954-45	Shank Lock Nut
13	000958-20	Coupling Nut



010587-45  
VR Hex Key



015425-45  
VR Aerator Key

**Product Specifications:**

4" Centerset Mixing Faucet, Quarter-Turn Eterna Cartridges, Decorative Club Handles, Vandal Resistant Screws, Vandal Resistant 2.2 GPM Aerator and 1/2" NPSM Male Inlets

**Product Compliance:**

ASME A112.18.1 / CSA B125.1  
 NSF 61 - Section 9  
 NSF 372 (Low Lead Content)  
 ANSI A117.1 (ADA)