



**T&S BRASS AND BRONZE WORKS, INC.**  
 2 Saddleback Cove / P.O. Box 1088  
 Travelers Rest, SC 29690

Model No.  
**B-0871-QT-VR22**

Item No.

Travelers Rest, SC: 800-476-4103 • Simi Valley, CA: 800-423-0150 • Fax: 864-834-3518 • www.tsbrass.com



**ADA Compliant**

This Space for Architect/Engineer Approval

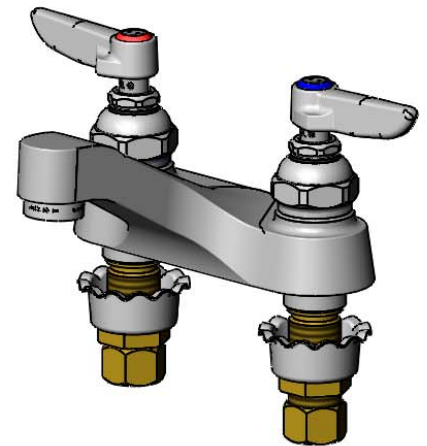
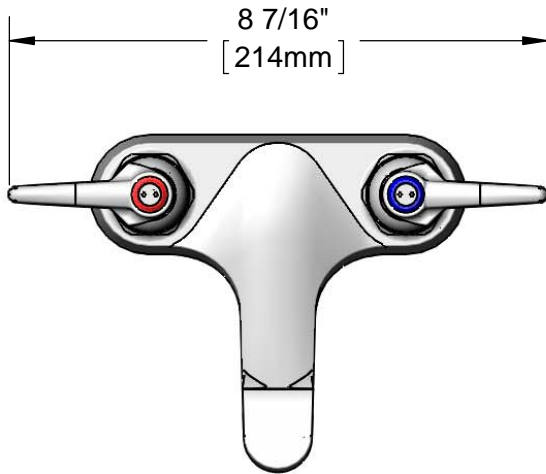
Job Name \_\_\_\_\_ Date \_\_\_\_\_

Model Specified \_\_\_\_\_ Quantity \_\_\_\_\_

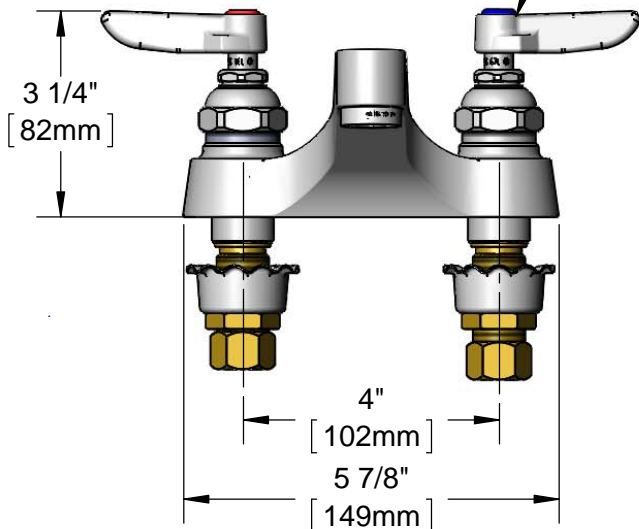
Customer/Wholesaler \_\_\_\_\_

Contractor \_\_\_\_\_

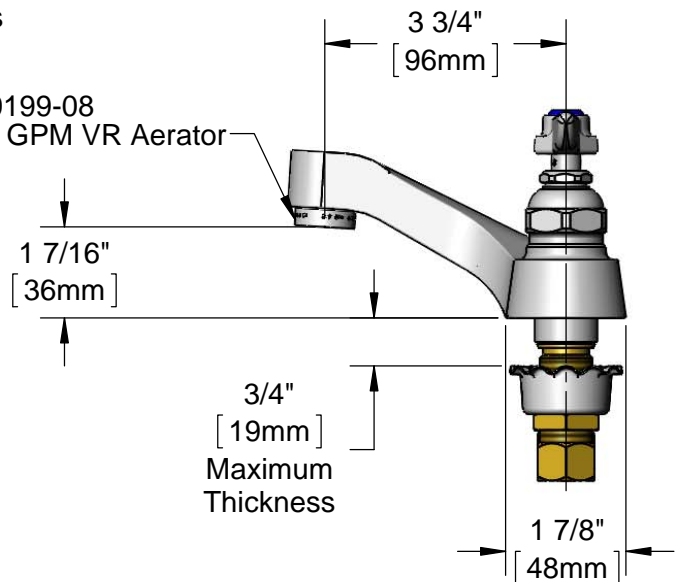
Architect/Engineer \_\_\_\_\_



Quarter-Turn Eterna  
 Cartridges & Lever Handles  
 w/ Color Coded Indexes &  
 VR Screws



B-0199-08  
 2.2 GPM VR Aerator



**Rough-In Requirement:**  
 (2)  $\phi$ 1 1/8" [ $\phi$ 29mm] Mounting Holes

**Product Specifications:**  
 4" Centerset Deck Mount Faucet, Quarter-Turn Eterna Cartridges, Lever  
 Handles, 2.2 GPM VR Aerator, VR Screws & 1/2" NPSM Male Inlets w/  
 Coupling Nuts

**Product Compliance:**  
 ASME A112.18.1 / CSA B125.1  
 NSF 61 - Section 9  
 NSF 372 (Low Lead Content)  
 ANSI A117.1 (ADA)



# T&S BRASS AND BRONZE WORKS, INC.

2 Saddleback Cove / P.O. Box 1088  
Travelers Rest, SC 29690

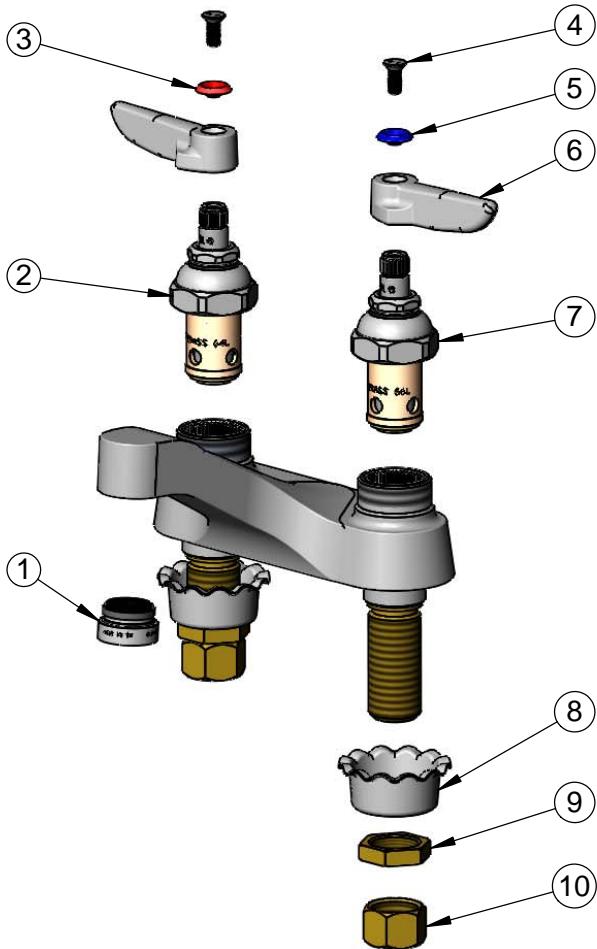
Model No.

**B-0871-QT-VR22**

Item No.

Travelers Rest, SC: 800-476-4103 • Simi Valley, CA: 800-423-0150 • Fax: 864-834-3518 • www.tsbrass.com

ITEM NO.	SALES NO.	DESCRIPTION
1	B-0199-08	VR 2.2 GPM Aerator, 13/16-27 UN Male w/ Key
2	005960-40QT	Quarter-Turn Eterna Cartridge, RTC
3	001661-45	Red Index-HW
4	VRS-1	VR Lever Handle Screw (2) w/ Spanner Bit
5	001660-45	Blue Index-CW
6	001638-45	Lever Handle
7	005959-40QT	Quarter-Turn Eterna Cartridge, LTC
8	001000-45	Rosette Washer
9	002954-45	Shank Lock Nut
10	000958-20	Coupling Nut



014075-45  
#10 Spanner Bit



015425-45  
Vandal Resistant  
Key

**Product Specifications:**

4" Centerset Deck Mount Faucet, Quarter-Turn Eterna Cartridges, Lever Handles, 2.2 GPM VR Aerator, VR Screws & 1/2" NPSM Male Inlets w/ Coupling Nuts

**Product Compliance:**

ASME A112.18.1 / CSA B125.1  
NSF 61 - Section 9  
NSF 372 (Low Lead Content)  
ANSI A117.1 (ADA)