



T&S BRASS AND BRONZE WORKS, INC.

2 Saddleback Cove / P.O. Box 1088
Travelers Rest, SC 29690

Model No.

B-0871-F12

Item No.

Travelers Rest, SC: 800-476-4103 • Simi Valley, CA: 800-423-0150 • Fax: 864-834-3518 • www.tsbrass.com



ADA Compliant

This Space for Architect/Engineer Approval

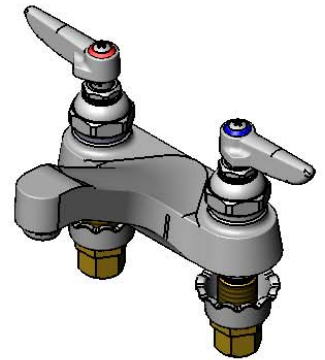
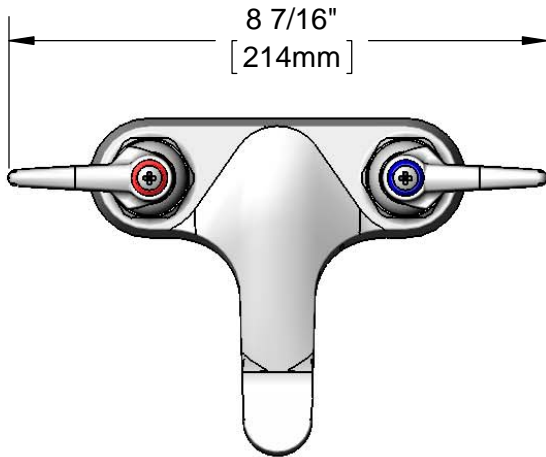
Job Name _____ Date _____

Model Specified _____ Quantity _____

Customer/Wholesaler _____

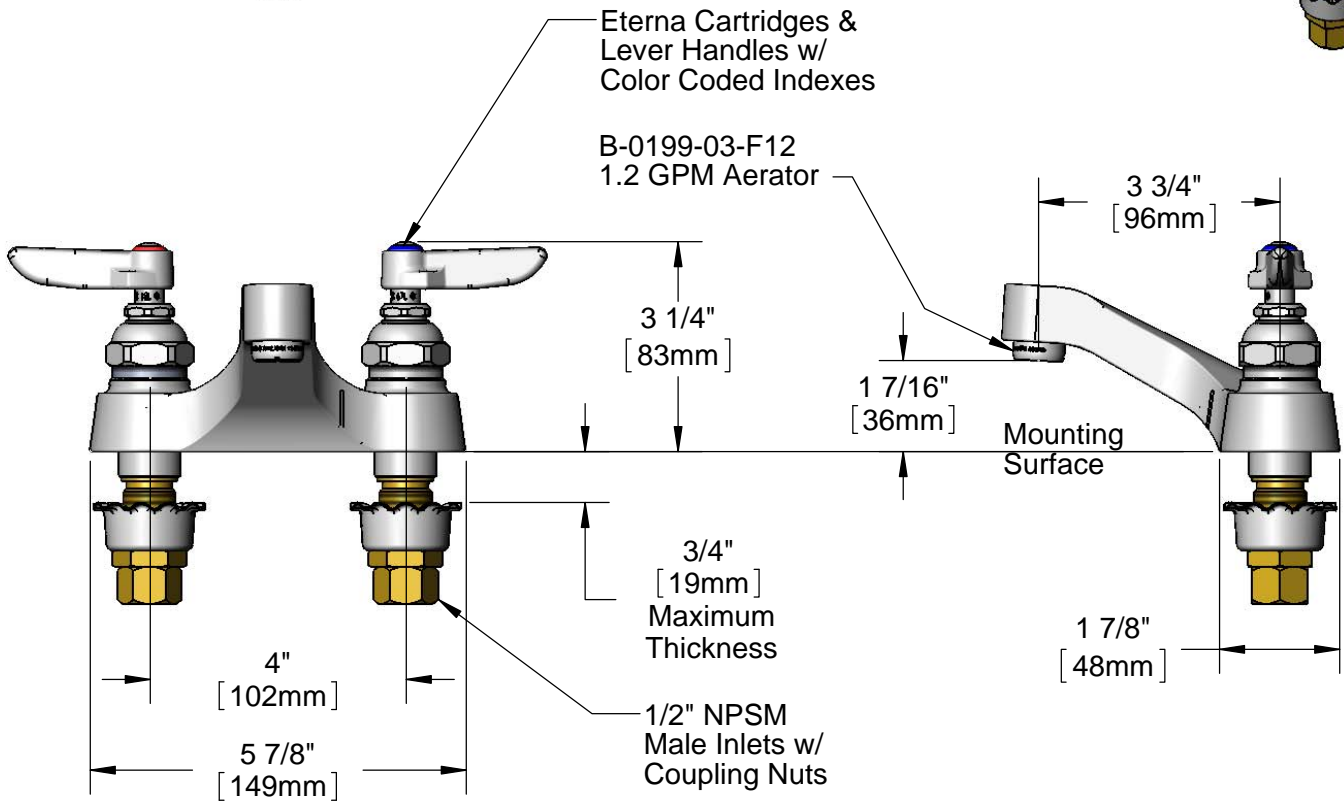
Contractor _____

Architect/Engineer _____



Eterna Cartridges &
Lever Handles w/
Color Coded Indexes

B-0199-03-F12
1.2 GPM Aerator



Rough-In Requirement:
(2) \varnothing 1 1/8" [29mm] Mounting Holes

Product Specifications:
4" Centerset Deck Mount Faucet, Eterna Cartridges, Lever Handles,
1.2 GPM Aerator & 1/2" NPSM Male Inlets w/ Coupling Nuts

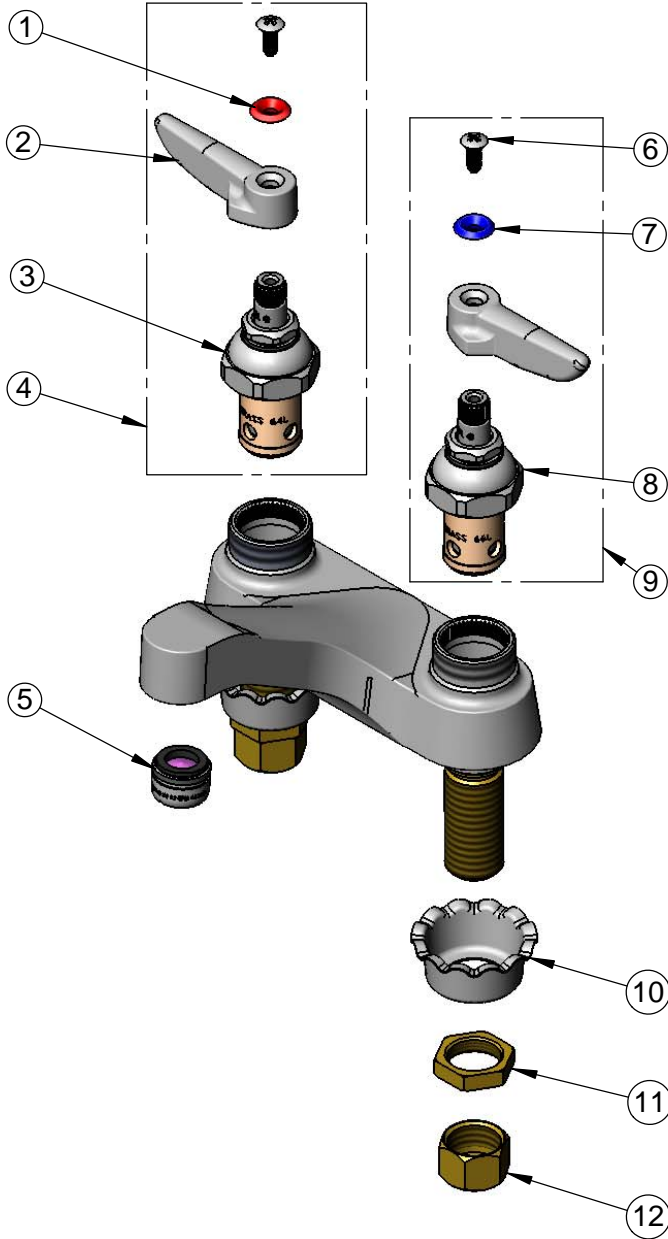
Product Compliance:
ASME A112.18.1 / CSA B125.1
NSF 61 - Section 9
NSF 372 (Low Lead Content)
ANSI A117.1 (ADA)
EPA WaterSense



T&S BRASS AND BRONZE WORKS, INC.
 2 Saddleback Cove / P.O. Box 1088
 Travelers Rest, SC 29690

Model No.
B-0871-F12
 Item No.

Travelers Rest, SC: 800-476-4103 • Simi Valley, CA: 800-423-0150 • Fax: 864-834-3518 • www.tsbrass.com



ITEM NO.	SALES NO.	DESCRIPTION
1	001661-45	Red Index-HW
2	001638-45	Lever Handle
3	005960-40	Eterna Cartridge, RTC
4	002714-40	Eterna Cartridge, RTC w/ Handle, Index & Screw
5	B-0199-03-F12	1.2 GPM Aerator, 13/16-27 UN Male
6	000922-45	Lever Handle Screw
7	001660-45	Blue Index-CW
8	005959-40	Eterna Cartridge, LTC
9	002713-40	Eterna Cartridge, LTC w/ Handle, Index & Screw
10	001000-45	Rosette Washer
11	002954-45	Shank Lock Nut
12	000958-20	Coupling Nut
30	B-0199-03-F12	1.2 GPM Aerator

Product Specifications:
 4" Centerset Deck Mount Faucet, Eterna Cartridges, Lever Handles,
 1.2 GPM Aerator & 1/2" NPSM Male Inlets w/ Coupling Nuts

Product Compliance:
 ASME A112.18.1 / CSA B125.1
 NSF 61 - Section 9
 NSF 372 (Low Lead Content)
 ANSI A117.1 (ADA)
 EPA WaterSense