



# T&S BRASS AND BRONZE WORKS, INC.

2 Saddleback Cove / P.O. Box 1088  
Travelers Rest, SC 29690

Model No.

**B-0871-CR-VR05**

Item No.

Travelers Rest, SC: 800-476-4103 • Simi Valley, CA: 800-423-0150 • Fax: 864-834-3518 • www.tsbrass.com



**ADA Compliant**

This Space for Architect/Engineer Approval

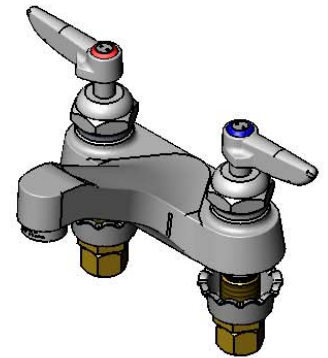
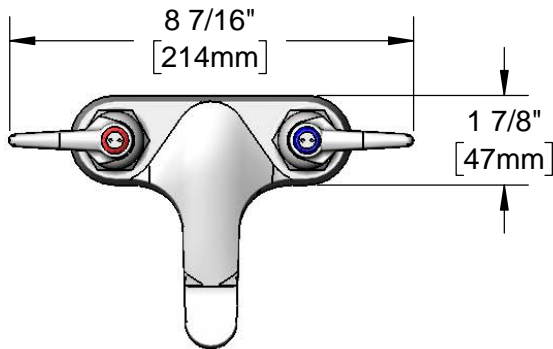
Job Name \_\_\_\_\_ Date \_\_\_\_\_

Model Specified \_\_\_\_\_ Quantity \_\_\_\_\_

Customer/Wholesaler \_\_\_\_\_

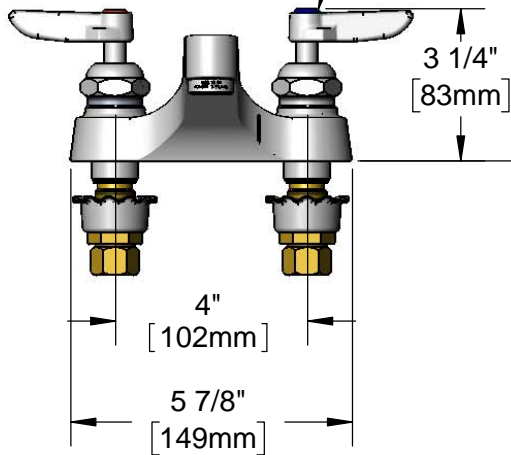
Contractor \_\_\_\_\_

Architect/Engineer \_\_\_\_\_

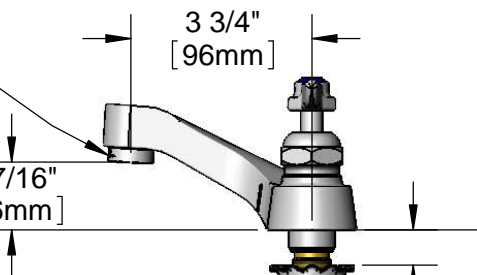


Quarter-Turn Cerama Cartridges & Lever Handles w/ VR Screws & Color Coded Indexes

B-0199-08-N05  
0.5 GPM VR  
Non-Aerated  
Spray Device



Mounting Surface



1/2" NPSM Male Inlets w/ Coupling Nuts

3/4" Maximum Thickness

**Rough-In Requirement:**  
(2)  $\phi$  1 1/8" [29mm] Mounting Holes

**Product Specifications:**

4" Centerset Deck Mount Faucet, Quarter-Turn Cerama Cartridges, Lever Handles, 0.5 GPM VR Non-Aerated Spray Device & 1/2" NPSM Male Inlets w/ Coupling Nuts

**Product Compliance:**

ASME A112.18.1 / CSA B125.1  
NSF 61 - Section 9  
NSF 372 (Low Lead Content)  
ANSI A117.1 (ADA)



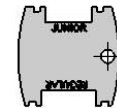
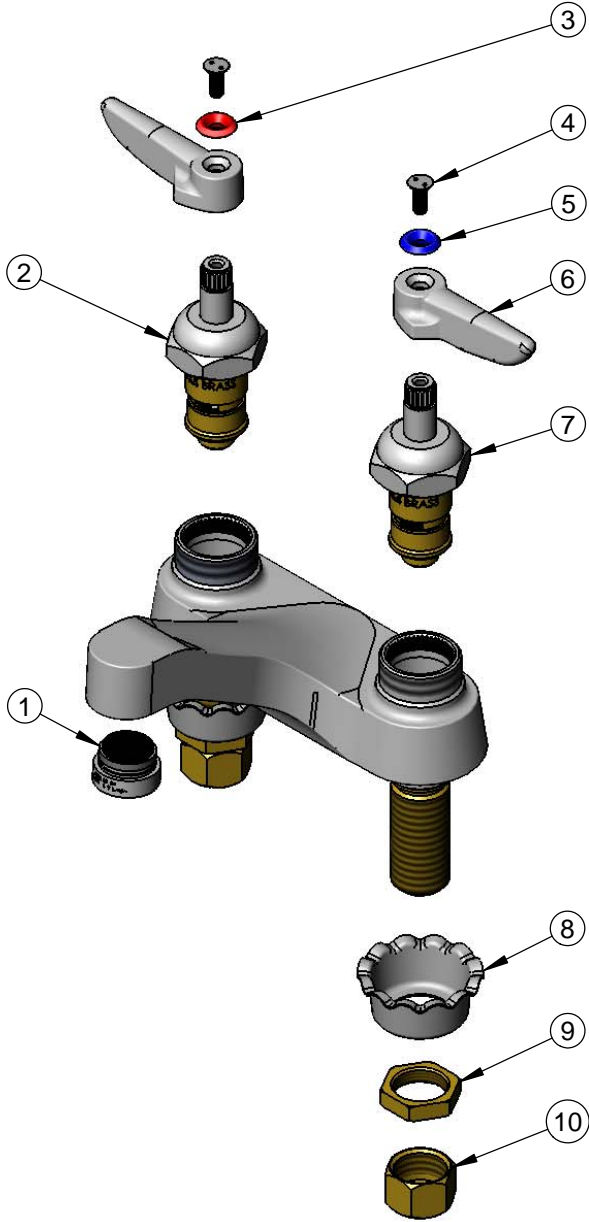
**T&S BRASS AND BRONZE WORKS, INC.**  
 2 Saddleback Cove / P.O. Box 1088  
 Travelers Rest, SC 29690

Model No.  
**B-0871-CR-VR05**

Item No.

Travelers Rest, SC: 800-476-4103 • Simi Valley, CA: 800-423-0150 • Fax: 864-834-3518 • www.tsbrass.com

ITEM NO.	SALES NO.	DESCRIPTION
1	B-0199-08-N05	VR 0.5 GPM Non-Aerated Spray Device, 13/16-27 UN Male w/ Key
2	011278-25	Quarter-Turn Cerama Cartridge, RTC
3	001661-45	Red Index-HW
4	VRS-1	VR Lever Handle Screw (2) w/ Spanner Bit
5	001660-45	Blue Index-CW
6	001638-45	Lever Handle
7	011279-25	Quarter-Turn Cerama Cartridge, LTC
8	001000-45	Rosette Washer
9	002954-45	Shank Lock Nut
10	000958-20	Coupling Nut



015425-45  
 Vandal Resistant  
 Key



014075-45  
 Vandal Resistant  
 #10 Spanner Bit

Product Specifications:  
 4" Centerset Deck Mount Faucet, Quarter-Turn Cerama Cartridges, Lever Handles, 0.5 GPM VR Non-Aerated Spray Device & 1/2" NPSM Male Inlets w/ Coupling Nuts

Product Compliance:  
 ASME A112.18.1 / CSA B125.1  
 NSF 61 - Section 9  
 NSF 372 (Low Lead Content)  
 ANSI A117.1 (ADA)