



T&S BRASS AND BRONZE WORKS, INC.

2 Saddleback Cove / P.O. Box 1088
Travelers Rest, SC 29690

Model No.

B-0869

Item No.

Travelers Rest, SC: 800-476-4103 • Simi Valley, CA: 800-423-0150 • Fax: 864-834-3518 • www.tsbrass.com



ADA Compliant

This Space for Architect/Engineer Approval

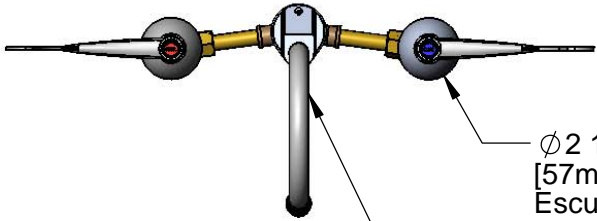
Job Name _____ Date _____

Model Specified _____ Quantity _____

Customer/Wholesaler _____

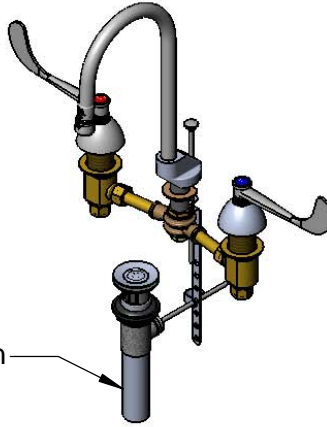
Contractor _____

Architect/Engineer _____

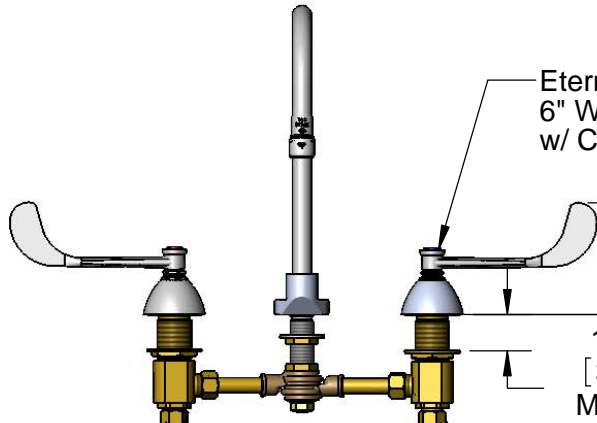


Ø 2 1/4"
[57mm]
Escutcheon

Rigid Gooseneck w/
B-0199-02
2.2 GPM Aerator



Pop-Up Drain



Eterna Cartridges &
6" Wrist Action Handles
w/ Color Coded Indexes

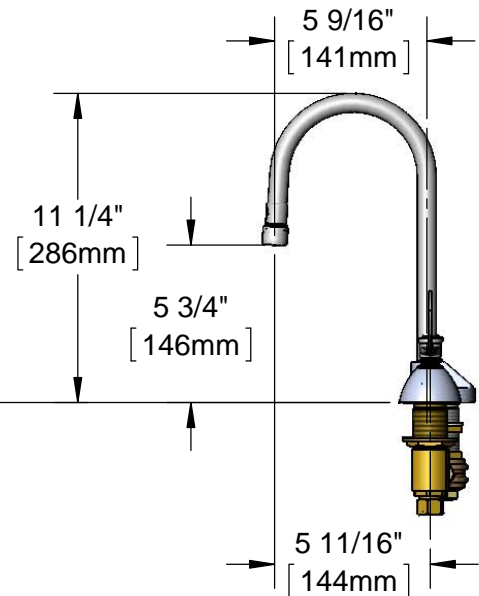
4 1/16"
[103mm]

Mounting
Surface

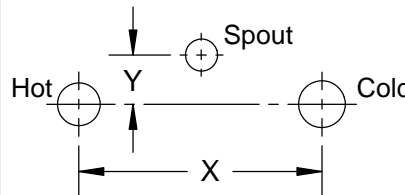
1 5/16"
[33mm]
Maximum
Thickness

Adjustable
Centers
(See Chart Below)

1/2" NPT
Male Inlets w/
Coupling Nuts



Hot & Cold Center Sections
Can be at Angle



if "Y" is Then Faucet Will
Fit "X" with Standard
1/4" NPT Cross Pipes
Furnished

1/2"	8"
1"	7 3/4"
1 1/2"	7 3/8"
2"	7"

Rough-In Requirement:

Center Shank: Ø 1 1/4" [Ø 32mm] Mounting Hole
Hot/Cold Bodies: Ø 1 1/2" [Ø 38mm] Mounting Holes

Product Specifications:

8" Adjustable Centers Deck Mount Mixing Faucet, Eterna Cartridges, 6" Wrist Action Handles, Rigid Gooseneck w/ 2.2 GPM Aerator, 1/2" NPT Male Inlets and Pop-Up Drain

Product Compliance:

ASME A112.18.1 / CSA B125.1
NSF 61 - Section 9
NSF 372 (Low Lead Content)
ANSI A117.1 (ADA)



T&S BRASS AND BRONZE WORKS, INC.

2 Saddleback Cove / P.O. Box 1088
Travelers Rest, SC 29690

Model No.

B-0869

Item No.

Travelers Rest, SC: 800-476-4103 • Simi Valley, CA: 800-423-0150 • Fax: 864-834-3518 • www.tsbrass.com

	ITEM NO.	SALES NO.	DESCRIPTION
	1	001043-45	Washer
	2	044A	3/8" to Aerator Adapter
	3	B-0199-02	2.2 GPM Aerator, 3/8" NSPM Male
	4	B-0199-01	2.2 GPM Aerator, 55/64"-27 UN Female
	5	001686-45	Blue Index - CW
	6	000925-45	Lab Handle Screw
	7	B-WH6	6" Wrist Action Handle
	8	001257-40	Bell Escutcheon
	9	006477-40	Eterna Cartridge, LTC (Teflon) w/ Escutcheon Bonnet
	10	161A	B-0850 Side Body - Cold
	11	000958-20	Coupling Nut
	12	006478-40	Eterna Cartridge, RTC (Teflon) w/ Escutcheon Bonnet
	13	162A	B-0850 Side Body - Hot
	14	001194-45	Red Index - HW
	15	B-0898	Pop-Up Drain

Product Specifications:
8" Adjustable Centers Deck Mount Mixing Faucet, Eterna Cartridges, 6" Wrist Action Handles, Rigid Gooseneck w/ 2.2 GPM Aerator, 1/2" NPT Male Inlets and Pop-Up Drain

Product Compliance:
ASME A112.18.1 / CSA B125.1
NSF 61 - Section 9
NSF 372 (Low Lead Content)
ANSI A117.1 (ADA)