



# T&S BRASS AND BRONZE WORKS, INC.

2 Saddleback Cove / P.O. Box 1088  
Travelers Rest, SC 29690

Model No.

**B-0869-04**

Item No.

Travelers Rest, SC: 800-476-4103 • Simi Valley, CA: 800-423-0150 • Fax: 864-834-3518 • www.tsbrass.com



**ADA Compliant**

This Space for Architect/Engineer Approval

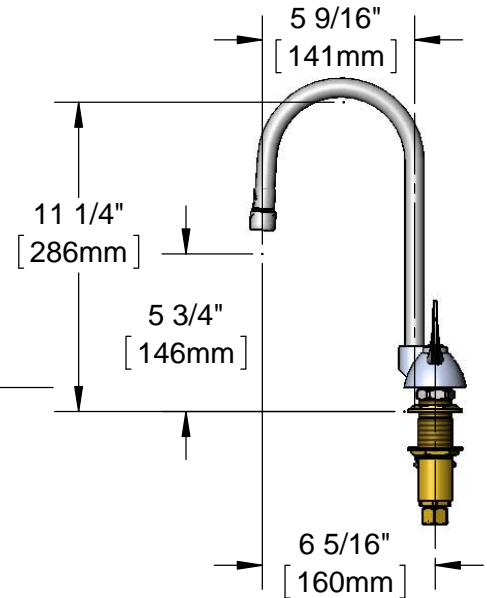
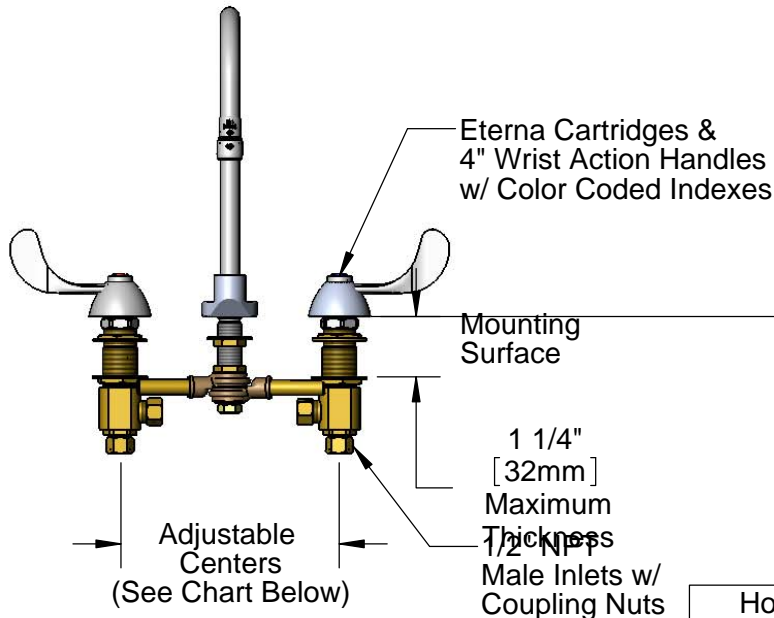
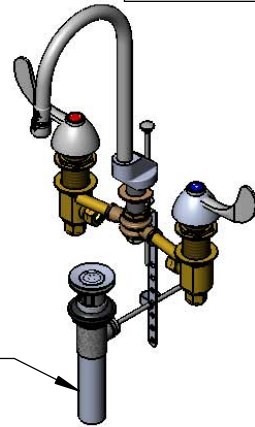
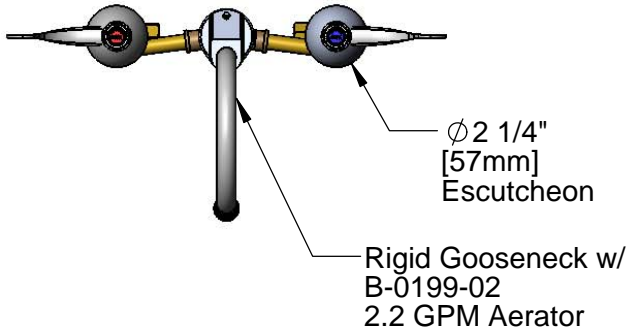
Job Name \_\_\_\_\_ Date \_\_\_\_\_

Model Specified \_\_\_\_\_ Quantity \_\_\_\_\_

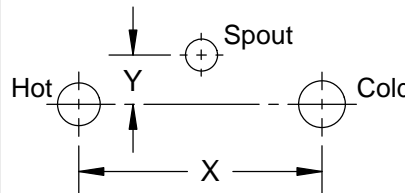
Customer/Wholesaler \_\_\_\_\_

Contractor \_\_\_\_\_

Architect/Engineer \_\_\_\_\_



Hot & Cold Center Sections  
Can be at Angle



if "Y" is Then Faucet Will  
Fit "X" with Standard  
1/4" NPT Cross Pipes  
Furnished

1/2"	8"
1"	7 3/4"
1 1/2"	7 3/8"
2"	7"

**Rough-In Requirement:**  
Center Shank:  $\phi 1 \frac{1}{4}$ " [ $\phi 32$ mm] Mounting Hole  
Hot/Cold Bodies:  $\phi 1 \frac{1}{2}$ " [ $\phi 38$ mm] Mounting Holes

**Product Specifications:**  
8" Adjustable Centers Deck Mount Mixing Faucet, Eterna Cartridges, 4"  
Wrist Action Handles, Rigid Gooseneck w/ 2.2 GPM Aerator, Pop-Up Drain  
& 1/2" NPT Male Inlets w/ Coupling Nuts

**Product Compliance:**  
ASME A112.18.1 / CSA B125.1  
NSF 61 - Section 9  
NSF 372 (Low Lead Content)  
ANSI A117.1 (ADA)



# T&S BRASS AND BRONZE WORKS, INC.

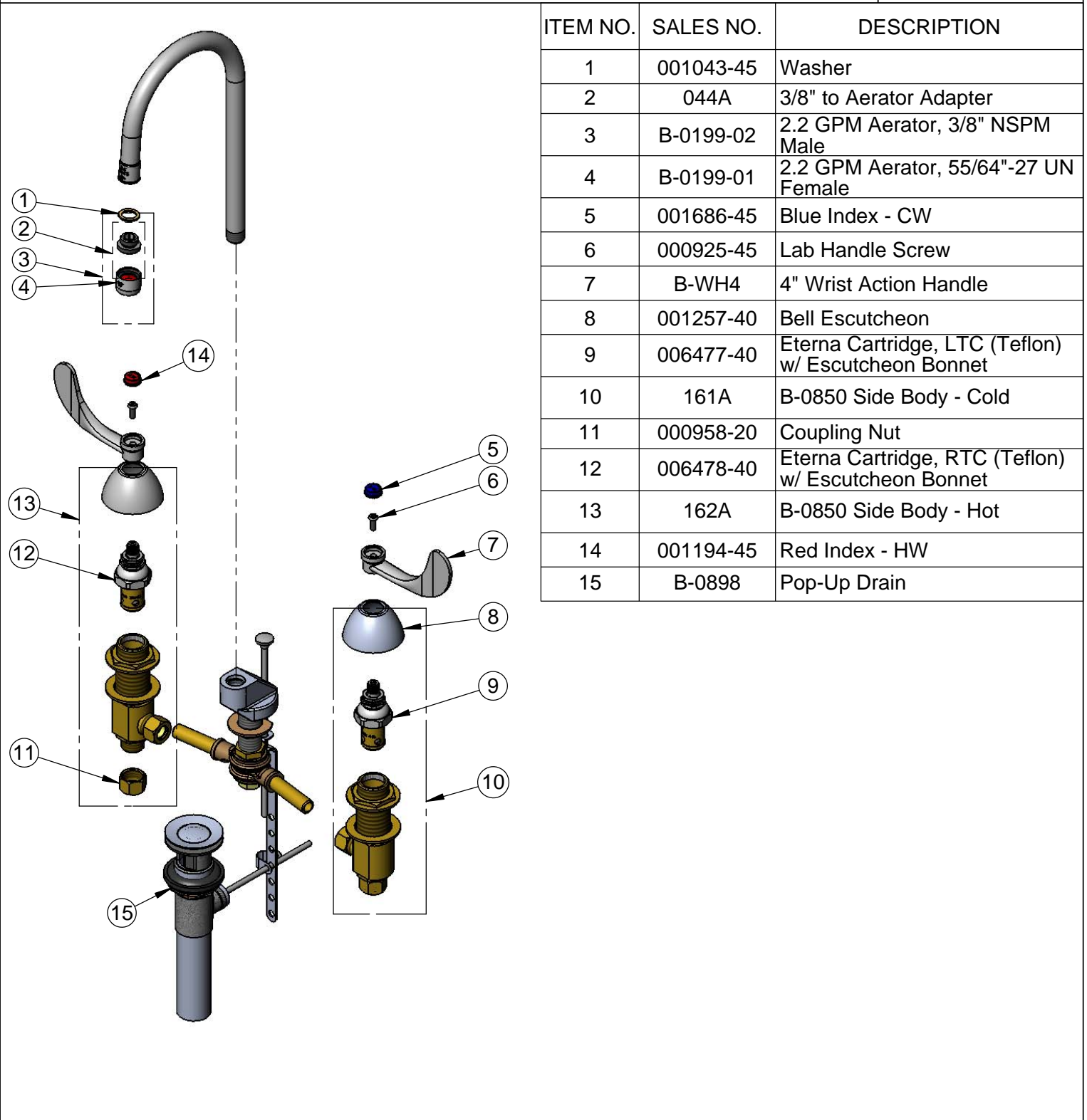
2 Saddleback Cove / P.O. Box 1088  
Travelers Rest, SC 29690

Model No.

**B-0869-04**

Item No.

Travelers Rest, SC: 800-476-4103 • Simi Valley, CA: 800-423-0150 • Fax: 864-834-3518 • www.tsbrass.com



ITEM NO.	SALES NO.	DESCRIPTION
1	001043-45	Washer
2	044A	3/8" to Aerator Adapter
3	B-0199-02	2.2 GPM Aerator, 3/8" NSPM Male
4	B-0199-01	2.2 GPM Aerator, 55/64"-27 UN Female
5	001686-45	Blue Index - CW
6	000925-45	Lab Handle Screw
7	B-WH4	4" Wrist Action Handle
8	001257-40	Bell Escutcheon
9	006477-40	Eterna Cartridge, LTC (Teflon) w/ Escutcheon Bonnet
10	161A	B-0850 Side Body - Cold
11	000958-20	Coupling Nut
12	006478-40	Eterna Cartridge, RTC (Teflon) w/ Escutcheon Bonnet
13	162A	B-0850 Side Body - Hot
14	001194-45	Red Index - HW
15	B-0898	Pop-Up Drain

**Product Specifications:**  
8" Adjustable Centers Deck Mount Mixing Faucet, Eterna Cartridges, 4" Wrist Action Handles, Rigid Gooseneck w/ 2.2 GPM Aerator, Pop-Up Drain & 1/2" NPT Male Inlets w/ Coupling Nuts

**Product Compliance:**  
ASME A112.18.1 / CSA B125.1  
NSF 61 - Section 9  
NSF 372 (Low Lead Content)  
ANSI A117.1 (ADA)