



T&S BRASS AND BRONZE WORKS, INC.
 2 Saddleback Cove / P.O. Box 1088
 Travelers Rest, SC 29690

Model No.
B-0868-04L

Item No.

Travelers Rest, SC: 800-476-4103 • Simi Valley, CA: 800-423-0150 • Fax: 864-834-3518 • www.tsbrass.com



ADA Compliant

This Space for Architect/Engineer Approval

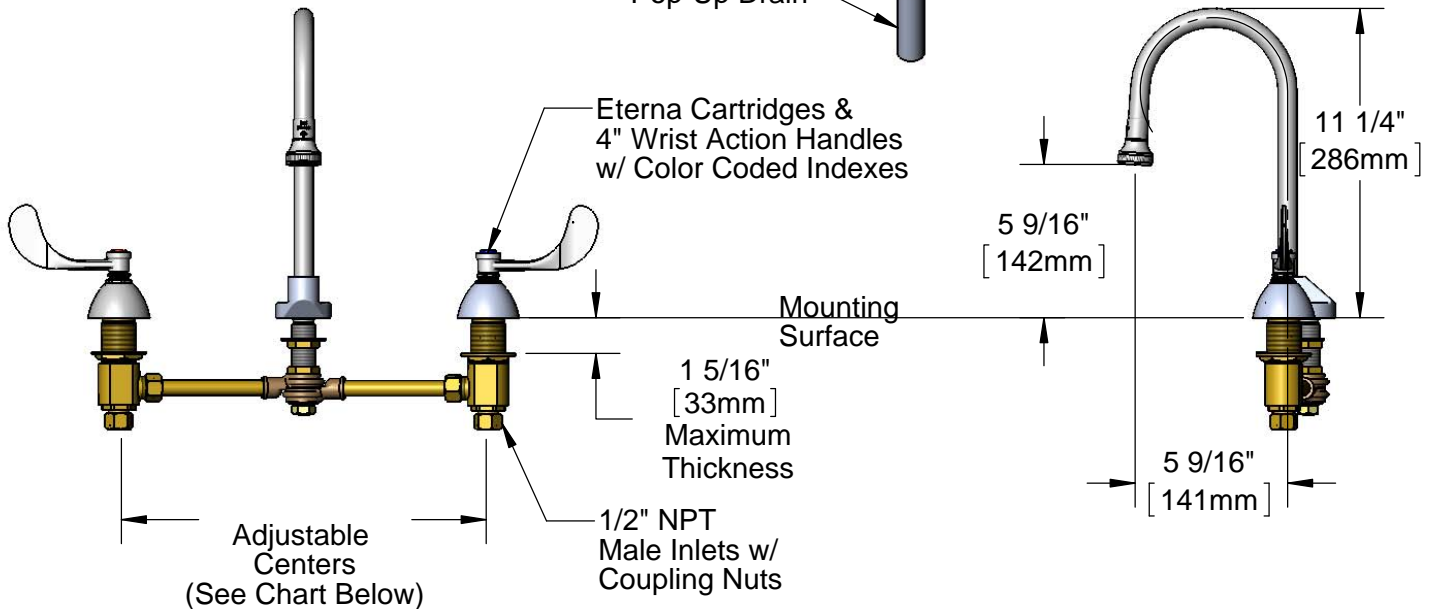
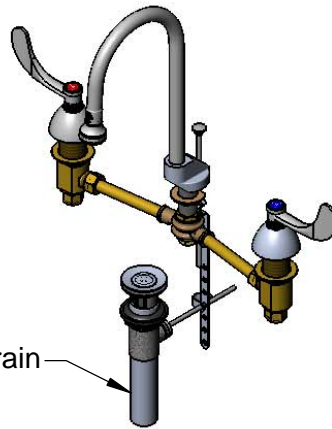
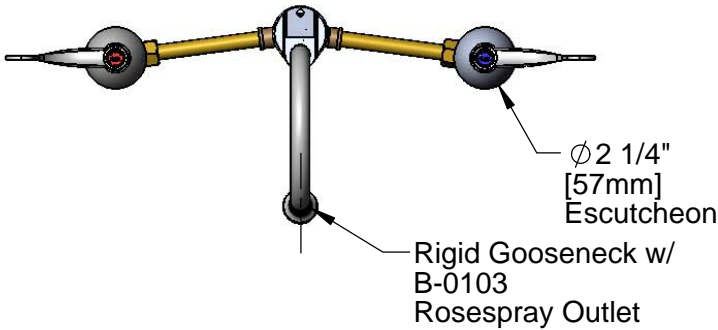
Job Name _____ Date _____

Model Specified _____ Quantity _____

Customer/Wholesaler _____

Contractor _____

Architect/Engineer _____



Rough-In Requirement:
 Center Shank: $\phi 1 \frac{1}{4}$ " [$\phi 32$ mm] Mounting Hole
 Hot/Cold Bodies: $\phi 1 \frac{1}{2}$ " [$\phi 38$ mm] Mounting Holes

| Hot & Cold Center Sections Can be at Angle | if "Y" is | Then Faucet Will Fit "X" with Standard 1/4" NPT Cross Pipes Furnished |
|--|-----------|---|
| | 1/2" | 12" |
| | 1" | 11 3/4" |
| | 1 1/2" | 11 3/8" |
| | 2" | 11" |

Product Specifications:
 12" Adjustable Centers Deck Mount Mixing Faucet, Eterna Cartridges, 4" Wrist Action Handles, Rigid Gooseneck w/ Rosespray Outlet, Pop-Up Drain & 1/2" NPT Male Inlets w/ Coupling Nuts

Product Compliance:
 ASME A112.18.1 / CSA B125.1
 NSF 61 - Section 9
 NSF 372 (Low Lead Content)
 ANSI A117.1 (ADA)

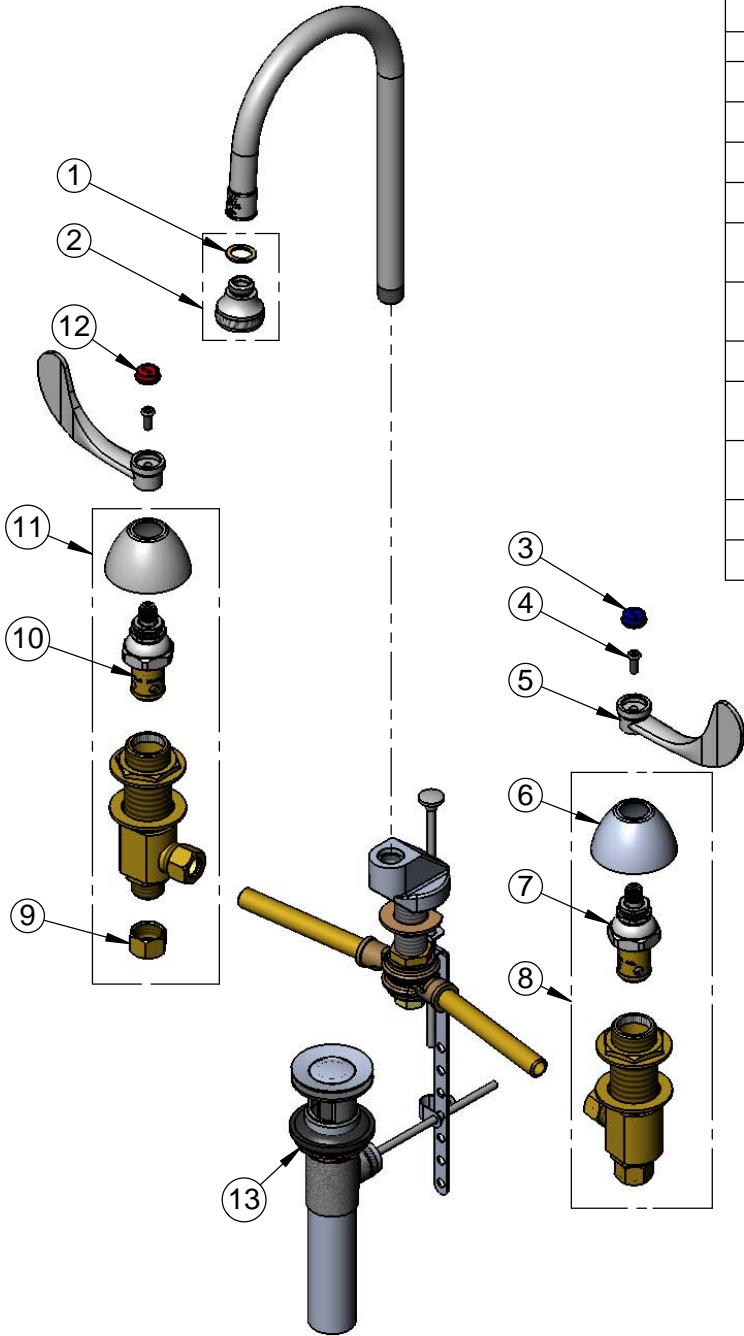


T&S BRASS AND BRONZE WORKS, INC.
 2 Saddleback Cove / P.O. Box 1088
 Travelers Rest, SC 29690

Model No.
B-0868-04L

Item No.

Travelers Rest, SC: 800-476-4103 • Simi Valley, CA: 800-423-0150 • Fax: 864-834-3518 • www.tsbrass.com



| ITEM NO. | SALES NO. | DESCRIPTION |
|----------|-----------|---|
| 1 | 001043-45 | Washer |
| 2 | B-0103 | -014 O-Ring |
| 3 | 001686-45 | Blue Index - CW |
| 4 | 000925-45 | Lab Handle Screw |
| 5 | B-WH4 | 4" Wrist Action Handle |
| 6 | 001257-40 | Bell Escutcheon |
| 7 | 006477-40 | Eterna Cartridge, LTC (Teflon) w/ Escutcheon Bonnet |
| 8 | 161A | B-0850 Side Body - Cold |
| 9 | 000958-20 | Coupling Nut |
| 10 | 006478-40 | Eterna Cartridge, RTC (Teflon) w/ Escutcheon Bonnet |
| 11 | 162A | B-0850 Side Body - Hot |
| 12 | 001194-45 | Red Index - HW |
| 13 | B-0898 | Pop-Up Drain |

Product Specifications:
 12" Adjustable Centers Deck Mount Mixing Faucet, Eterna Cartridges, 4" Wrist Action Handles, Rigid Gooseneck w/ Rosespray Outlet, Pop-Up Drain & 1/2" NPT Male Inlets w/ Coupling Nuts

Product Compliance:
 ASME A112.18.1 / CSA B125.1
 NSF 61 - Section 9
 NSF 372 (Low Lead Content)
 ANSI A117.1 (ADA)