



T&S BRASS AND BRONZE WORKS, INC.

2 Saddleback Cove / P.O. Box 1088
Travelers Rest, SC 29690

Model No.

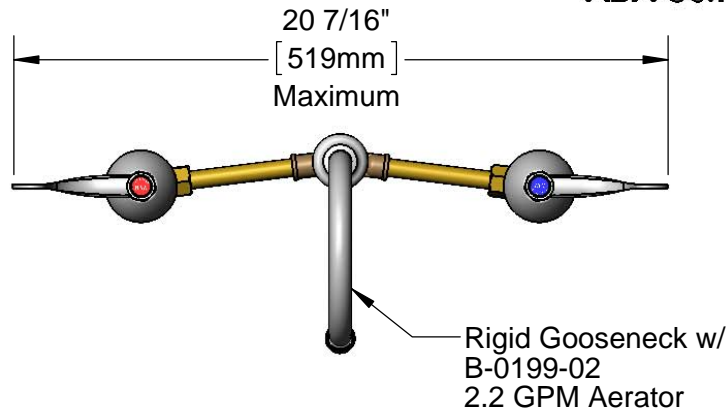
B-0867-04L

Item No.

Travelers Rest, SC: 800-476-4103 • Simi Valley, CA: 800-423-0150 • Fax: 864-834-3518 • www.tsbrass.com



ADA Compliant



This Space for Architect/Engineer Approval

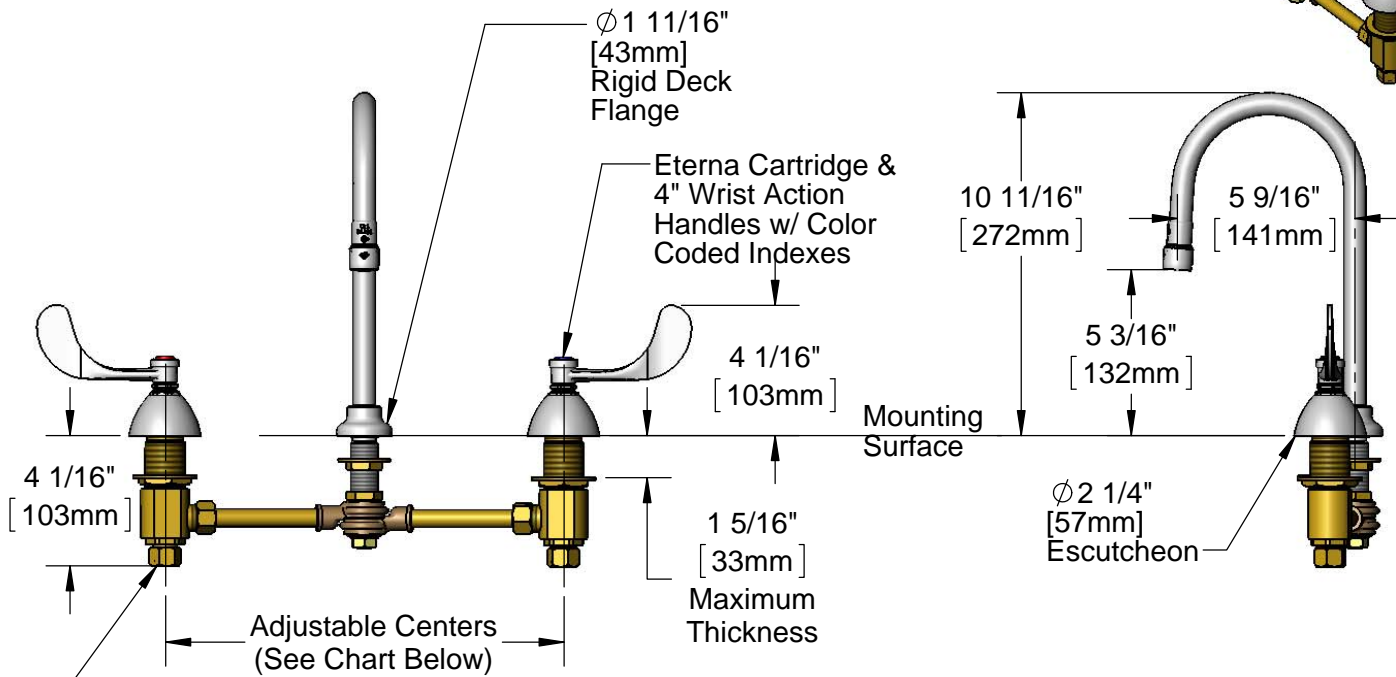
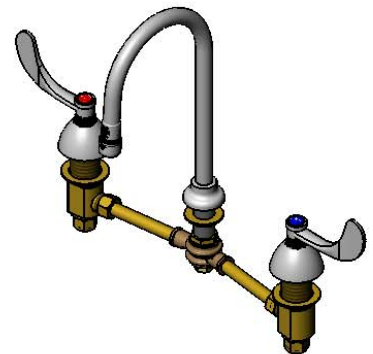
Job Name _____ Date _____

Model Specified _____ Quantity _____

Customer/Wholesaler _____

Contractor _____

Architect/Engineer _____



Rough-In Requirement:
Center Shank: Ø 1" [Ø 25mm] Mounting Hole
Hot/Cold Bodies: Ø 1 1/2" [Ø 38mm] Mounting Hole

Hot & Cold Center Sections Can be at Angle	if "Y" is	Then Faucet Will Fit "X" with Standard 1/4" NPT Cross Pipes Furnished
	1/2"	12"
	1"	11 3/4"
	1 1/2"	11 3/8"
	2"	11"

Product Specifications:
8" Deck Mount Mixing Faucet, Eterna Cartridges, 4" Wrist Action Handles,
Rigid Gooseneck w/ 2.2 GPM Aerator, 1/2" NPT Male Inlets w/ Coupling Nuts

Product Compliance:
ASME A112.18.1 / CSA B125.1
NSF 61 - Section 9
NSF 372 (Low Lead Content)
ANSI A117.1 (ADA)

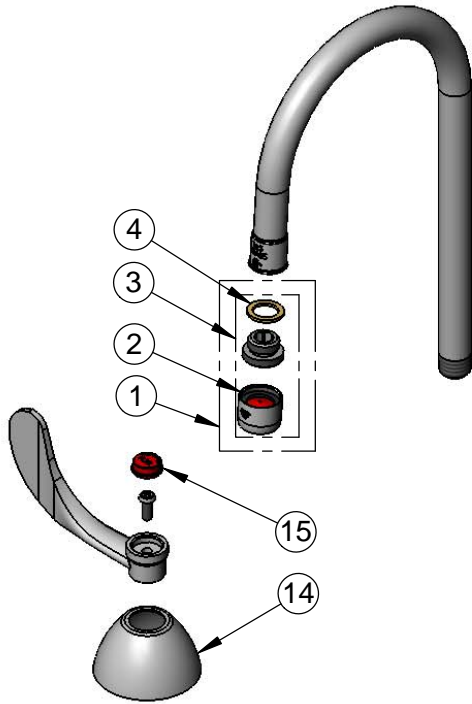


T&S BRASS AND BRONZE WORKS, INC.
 2 Saddleback Cove / P.O. Box 1088
 Travelers Rest, SC 29690

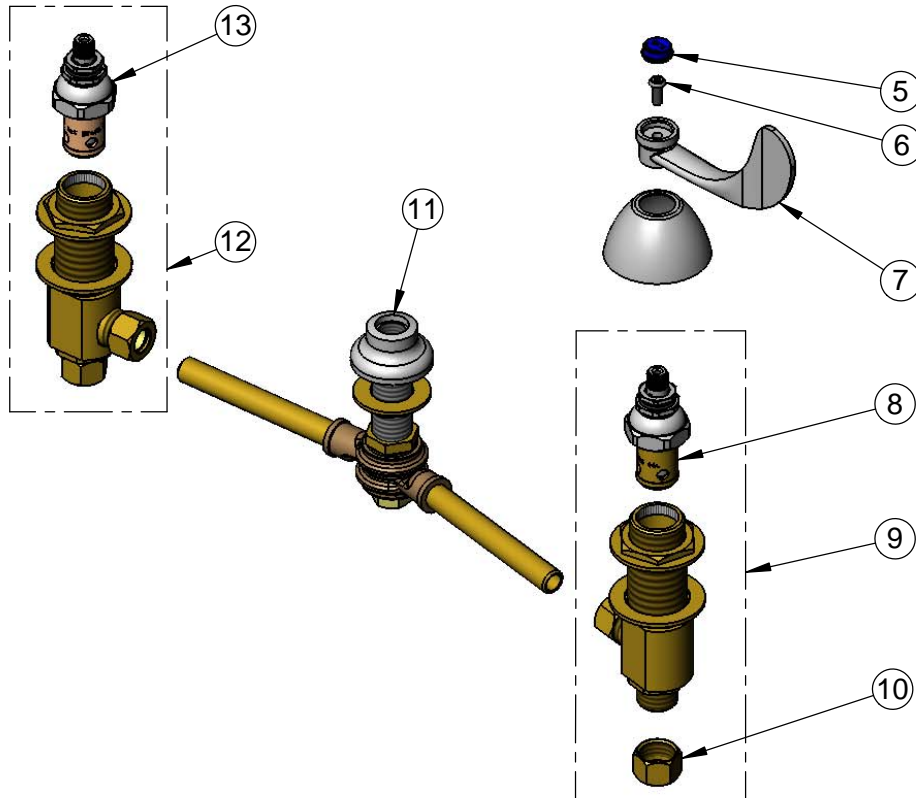
Model No.
B-0867-04L

Item No.

Travelers Rest, SC: 800-476-4103 • Simi Valley, CA: 800-423-0150 • Fax: 864-834-3518 • www.tsbrass.com



ITEM NO.	SALES NO.	DESCRIPTION
1	B-0199-02	2.2 GPM Aerator, 3/8" NPSM Male
2	B-0199-01	2.2 GPM Aerator, 55/64-27 UN Female
3	044A	3/8" to Aerator Adapter
4	001043-45	Washer
5	001686-45	Blue Index - CW
6	000925-45	Lab Handle Screw
7	B-WH4	4" Wrist Action Handle
8	006477-40	Eterna Cartridge, LTC (Teflon) w/ Escutcheon Bonnet
9	161A	B-0850 Side Body - Cold
10	000958-20	Coupling Nut
11	006216-40	12" Swivel Gooseneck Swivel Yoke
12	162A	B-0850 Side Body - Hot
13	006478-40	Eterna Cartridge, RTC (Teflon) w/ Escutcheon Bonnet
14	001257-40	Bell Escutcheon
15	001194-45	Red Index - HW



Product Specifications:
 8" Deck Mount Mixing Faucet, Eterna Cartridges, 4" Wrist Action Handles,
 Rigid Gooseneck w/ 2.2 GPM Aerator, 1/2" NPT Male Inlets w/ Coupling Nuts

Product Compliance:
 ASME A112.18.1 / CSA B125.1
 NSF 61 - Section 9
 NSF 372 (Low Lead Content)
 ANSI A117.1 (ADA)