

T&S BRASS AND BRONZE WORKS, INC.

2 Saddleback Cove / P.O. Box 1088
Travelers Rest, SC 29690

Model No.

B-0867-04-WS

Item No.

Travelers Rest, SC: 800-476-4103 • Simi Valley, CA: 800-423-0150 • Fax: 864-834-3518 • www.tsbrass.com



ADA Compliant

This Space for Architect/Engineer Approval

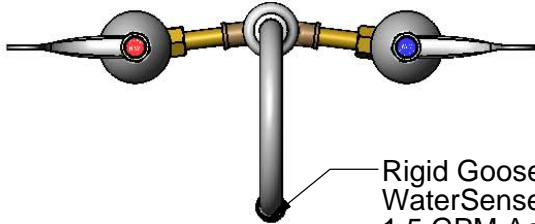
Job Name _____ Date _____

Model Specified _____ Quantity _____

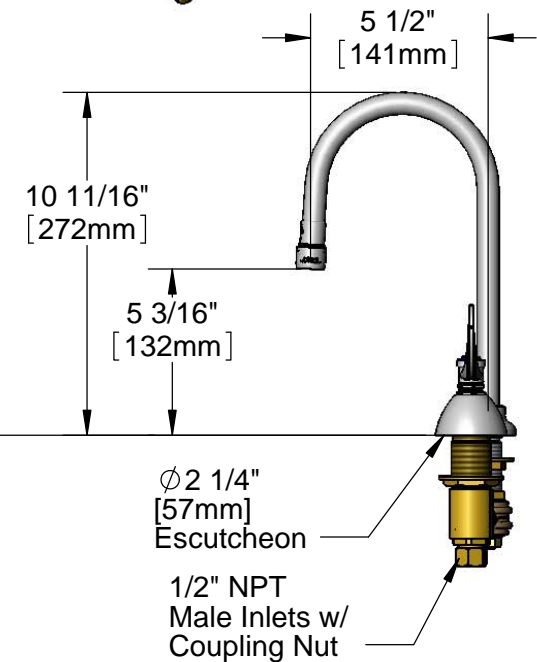
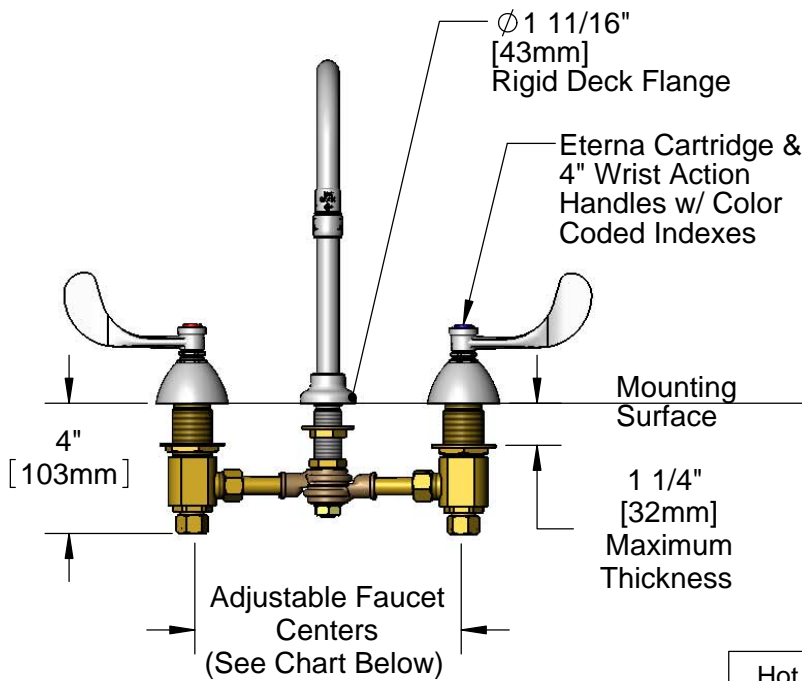
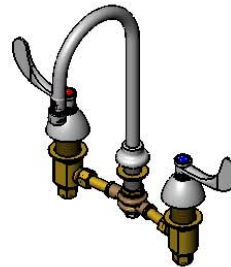
Customer/Wholesaler _____

Contractor _____

Architect/Engineer _____

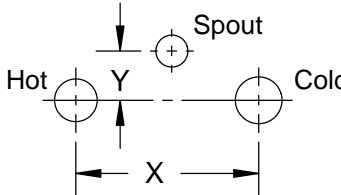


Rigid Gooseneck w/
WaterSense
1.5 GPM Aerator



Rough-In Requirements:
 Center Shank: $\phi 1$ " [$\phi 25$ mm] Hole
 Hot/Cold Bodies: $\phi 1 \frac{1}{2}$ " [$\phi 38$ mm] Hole

Hot & Cold Center Sections Can be at Angle



if "Y" is Then Faucet Will Fit "X" with Standard 1/4" NPT Cross Pipes Furnished

| | |
|--------|--------|
| 1/2" | 8" |
| 1" | 7 3/4" |
| 1 1/2" | 7 3/8" |
| 2" | 7" |

Product Specifications:
 8" Adjustable Centers Deck Mount Mixing Faucet, Eterna Cartridges, 4" Wrist Action Handles, Rigid Gooseneck w/ 1.5 GPM Aerator and 1/2" NPT Male Inlets

Product Compliance:
 ASME A112.18.1 / CSA B125.1
 NSF 61 - Section 9
 NSF 372 (Low Lead Content)
 ANSI A117.1 (ADA)
 EPA WaterSense



T&S BRASS AND BRONZE WORKS, INC.

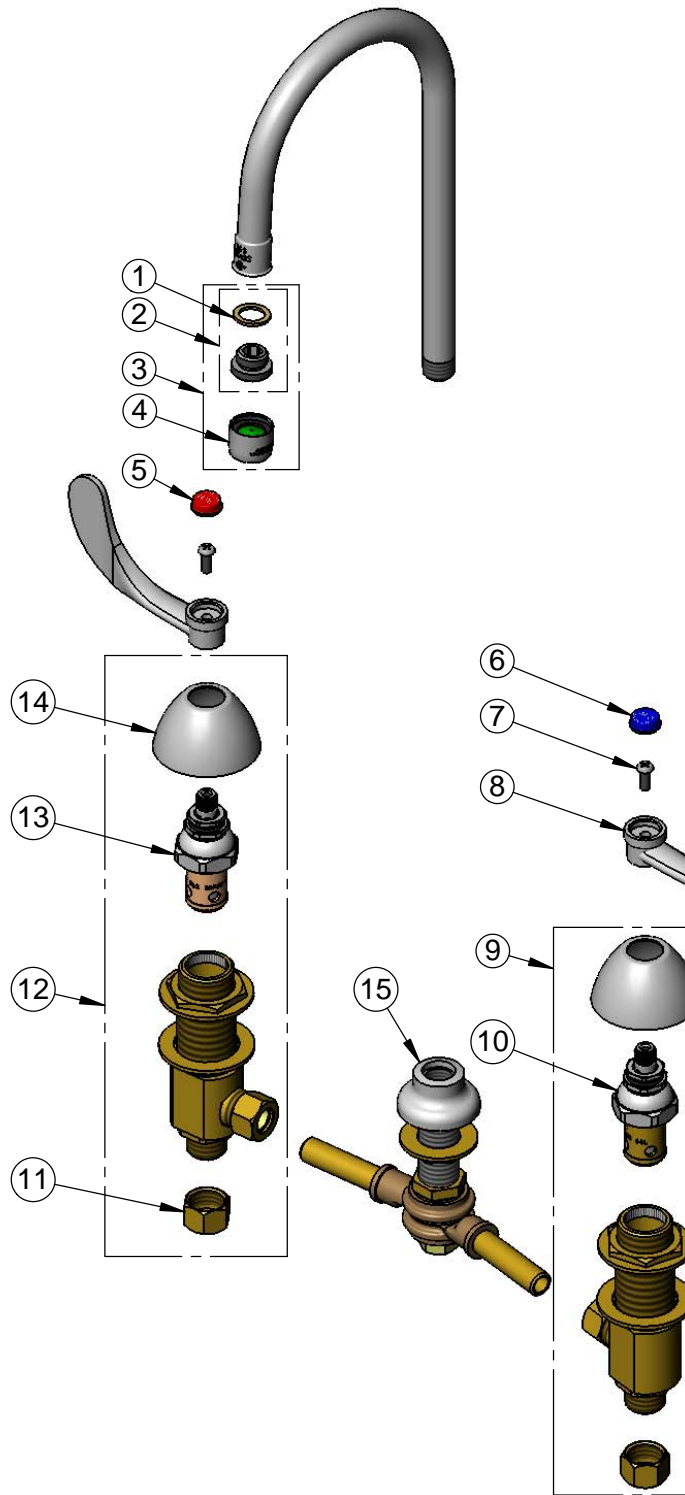
2 Saddleback Cove / P.O. Box 1088
Travelers Rest, SC 29690

Model No.

B-0867-04-WS

Item No.

Travelers Rest, SC: 800-476-4103 • Simi Valley, CA: 800-423-0150 • Fax: 864-834-3518 • www.tsbrass.com



| ITEM NO. | SALES NO. | DESCRIPTION |
|----------|--------------|---|
| 1 | 001043-45 | Washer |
| 2 | 044A | 3/8" to Aerator Adapter |
| 3 | B-0199-02-WS | 1.5 GPM Female Aerator, Adapter & Washer |
| 4 | B-0199-01-WS | 1.5 GPM Aerator, 55/64-27 Female |
| 5 | 001194-45 | Red Index - HW |
| 6 | 001686-45 | Blue Index - CW |
| 7 | 000925-45 | Lab Handle Screw |
| 8 | B-WH4 | 4" Wrist Action Handle |
| 9 | 161A | B-0850 Side Body - Cold |
| 10 | 006477-40 | Eterna Cartridge, LTC (Teflon) w/ Escutcheon Bonnet |
| 11 | 000958-20 | Coupling Nut |
| 12 | 162A | B-0850 Side Body - Hot |
| 13 | 006478-40 | Eterna Cartridge, RTC (Teflon) w/ Escutcheon Bonnet |
| 14 | 001257-40 | Bell Escutcheon |
| 15 | 005973-40 | 8" Swivel Yoke w/ Rigid Flange Outlet |

Product Specifications:

8" Adjustable Centers Deck Mount Mixing Faucet, Eterna Cartridges, 4" Wrist Action Handles, Rigid Gooseneck w/ 1.5 GPM Aerator and 1/2" NPT Male Inlets

Product Compliance:

ASME A112.18.1 / CSA B125.1
NSF 61 - Section 9
NSF 372 (Low Lead Content)
ANSI A117.1 (ADA)
EPA WaterSense