

T&S BRASS AND BRONZE WORKS, INC.

2 Saddleback Cove / P.O. Box 1088
Travelers Rest, SC 29690

Model No.

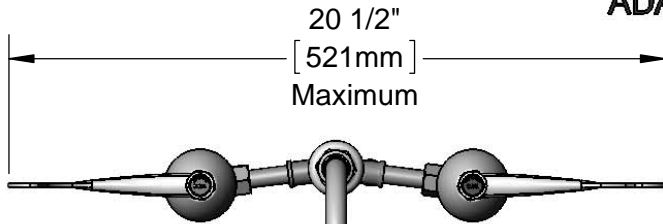
B-0866-PV

Item No.

Travelers Rest, SC: 800-476-4103 • Simi Valley, CA: 800-423-0150 • Fax: 864-834-3518 • www.tsbrass.com



ADA Compliant



This Space for Architect/Engineer Approval

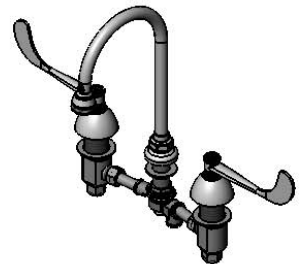
Job Name _____ Date _____

Model Specified _____ Quantity _____

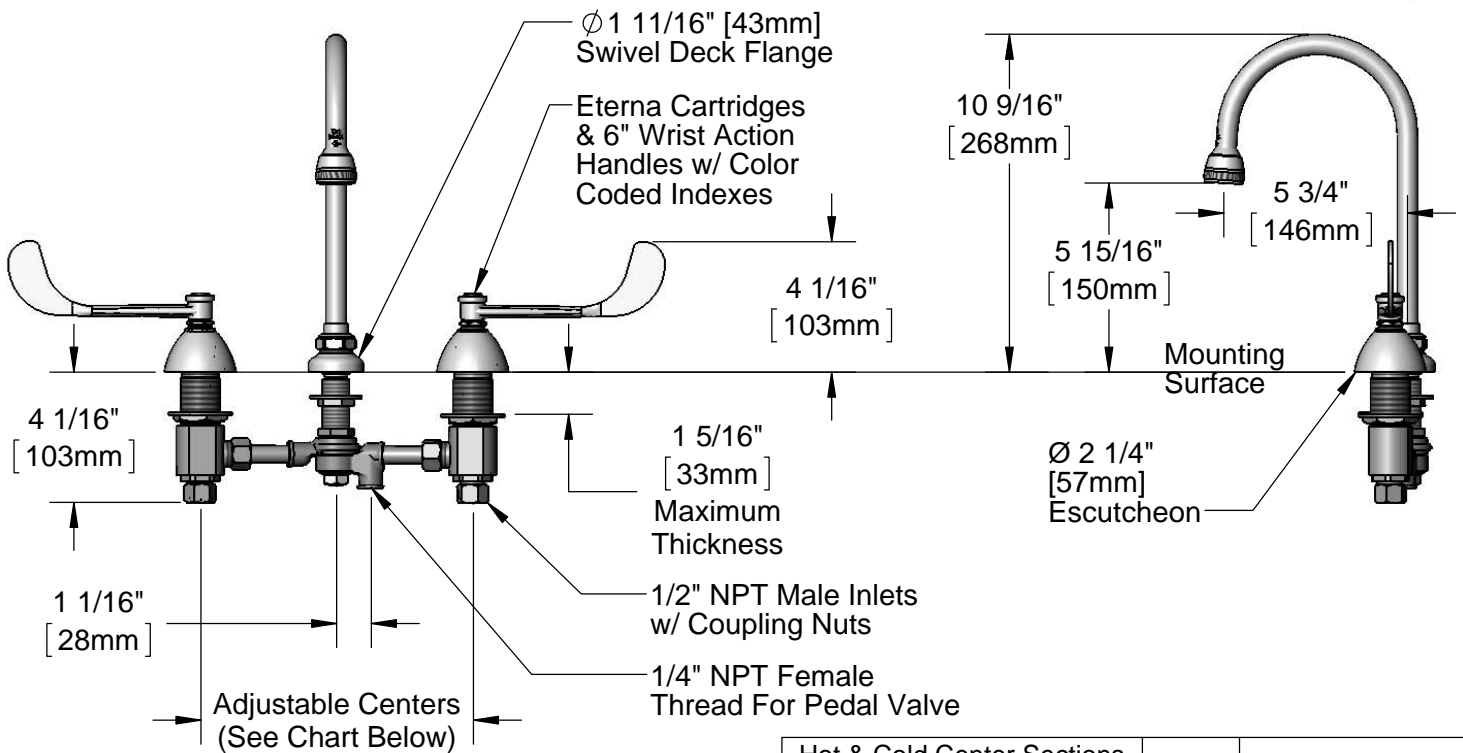
Customer/Wholesaler _____

Contractor _____

Architect/Engineer _____

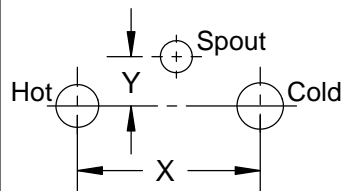


Swivel Gooseneck w/
B-0103-01
Rosespray Outlet.
Rigid Conversion Requires
014200-45 Lock Washer
(Included)



Rough-In Requirement:
Center Shank: ϕ 1" [ϕ 25mm] Mounting Hole
Hot/Cold Bodies: ϕ 1 1/2" [ϕ 38mm] Mounting Holes

Hot & Cold Center Sections
Can be at Angle



if "Y" is	Then Faucet Will Fit "X" with Standard 1/4" NPT Cross Pipes Furnished
1/2"	8"
1"	7 3/4"
1 1/2"	7 3/8"
2"	7"

Product Specifications:

8" Deck Mount Mixing Faucet, Eterna Cartridges, 6" Wrist Action Handles, Swivel Gooseneck w/ Rosespray Outlet, Pedal Valve Connection & 1/2" NPT Male Inlets w/ Coupling Nuts

Product Compliance:

ASME A112.18.1 / CSA B125.1
NSF 61 - Section 9
NSF 372 (Low Lead Content)
ANSI A117.1 (ADA)



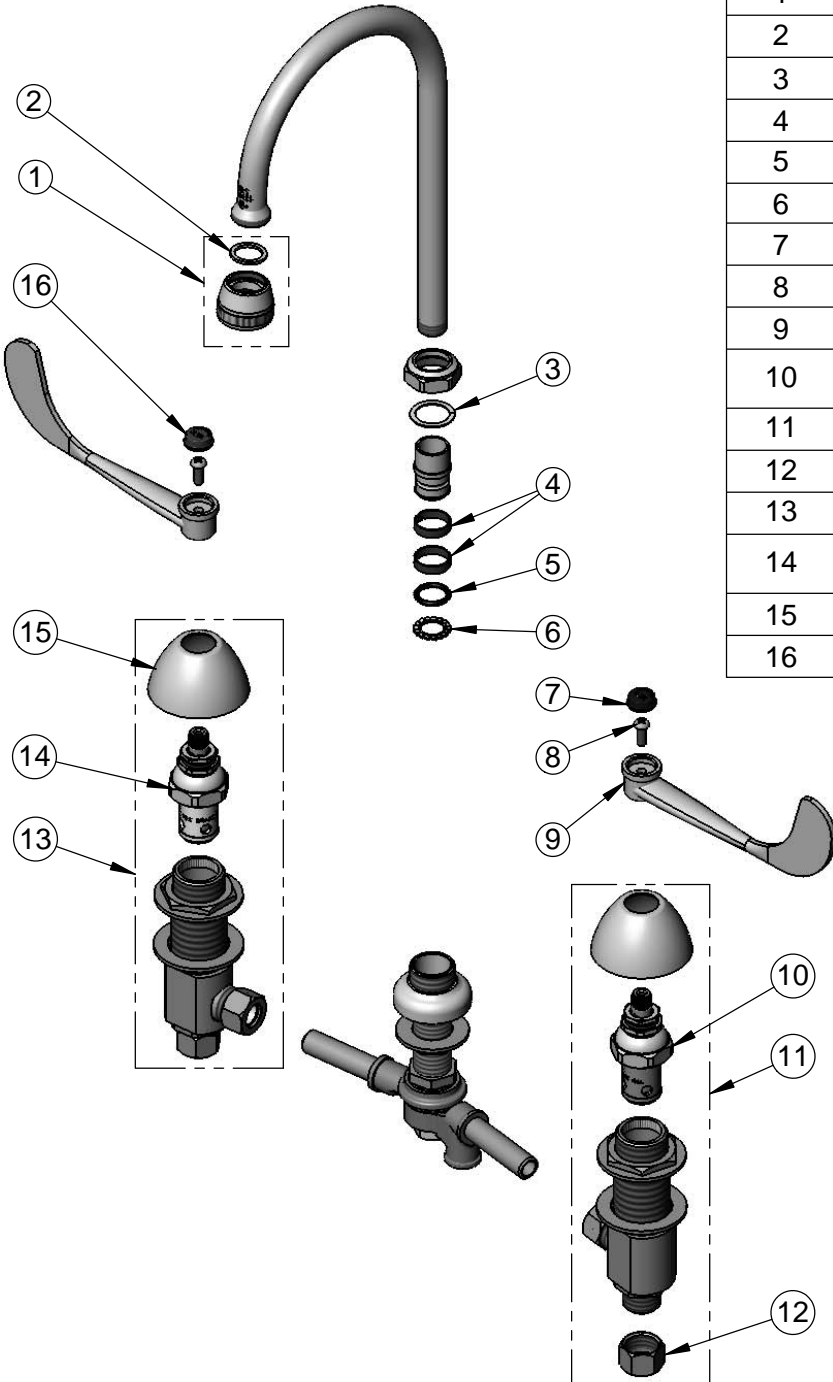
T&S BRASS AND BRONZE WORKS, INC.
 2 Saddleback Cove / P.O. Box 1088
 Travelers Rest, SC 29690

Model No.
B-0866-PV

Item No.

Travelers Rest, SC: 800-476-4103 • Simi Valley, CA: 800-423-0150 • Fax: 864-834-3518 • www.tsbrass.com

ITEM NO.	SALES NO.	DESCRIPTION
1	B-0103-01	Rosespray Outlet
2	001048-45	Nozzle Tip Washer
3	009538-45	Swivel Washer
4	011429-45	Swivel Sleeves (2)
5	001074-45	O-Ring
6	014200-45	Star Washer, Anti-Rotation
7	001686-45	Blue Index- CW
8	000925-45	Lab Handle Screw
9	B-WH6	6" Wrist Action Handle
10	006477-40	Eterna Cartridge, LTC (Teflon) w/ Escutcheon Bonnet
11	161A	B-0850 Side Body - Cold
12	000958-20	Coupling Nut
13	162A	B-0850 Side Body - Hot
14	006478-40	Eterna Cartridge, RTC (Teflon) w/ Escutcheon Bonnet
15	001257-40	Bell Escutcheon
16	001194-45	Red Index - HW



Product Specifications:
 8" Deck Mount Mixing Faucet, Eterna Cartridges, 6" Wrist Action Handles, Swivel Gooseneck w/ Rosespray Outlet, Pedal Valve Connection & 1/2" NPT Male Inlets w/ Coupling Nuts

Product Compliance:
 ASME A112.18.1 / CSA B125.1
 NSF 61 - Section 9
 NSF 372 (Low Lead Content)
 ANSI A117.1 (ADA)