



T&S BRASS AND BRONZE WORKS, INC.

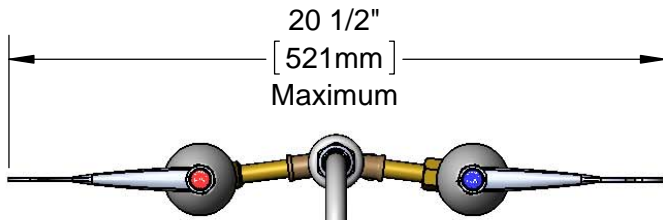
2 Saddleback Cove / P.O. Box 1088
Travelers Rest, SC 29690

Model No.

B-0866-07-PV

Item No.

Travelers Rest, SC: 800-476-4103 • Simi Valley, CA: 800-423-0150 • Fax: 864-834-3518 • www.tsbrass.com



20 1/2"
[521mm]
Maximum

Swivel Gooseneck w/
B-0199-01
2.2 GPM Aerator.
Rigid Conversion Requires
014200-45 Lock Washer
(Included)

This Space for Architect/Engineer Approval

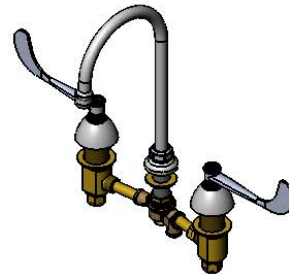
Job Name _____ Date _____

Model Specified _____ Quantity _____

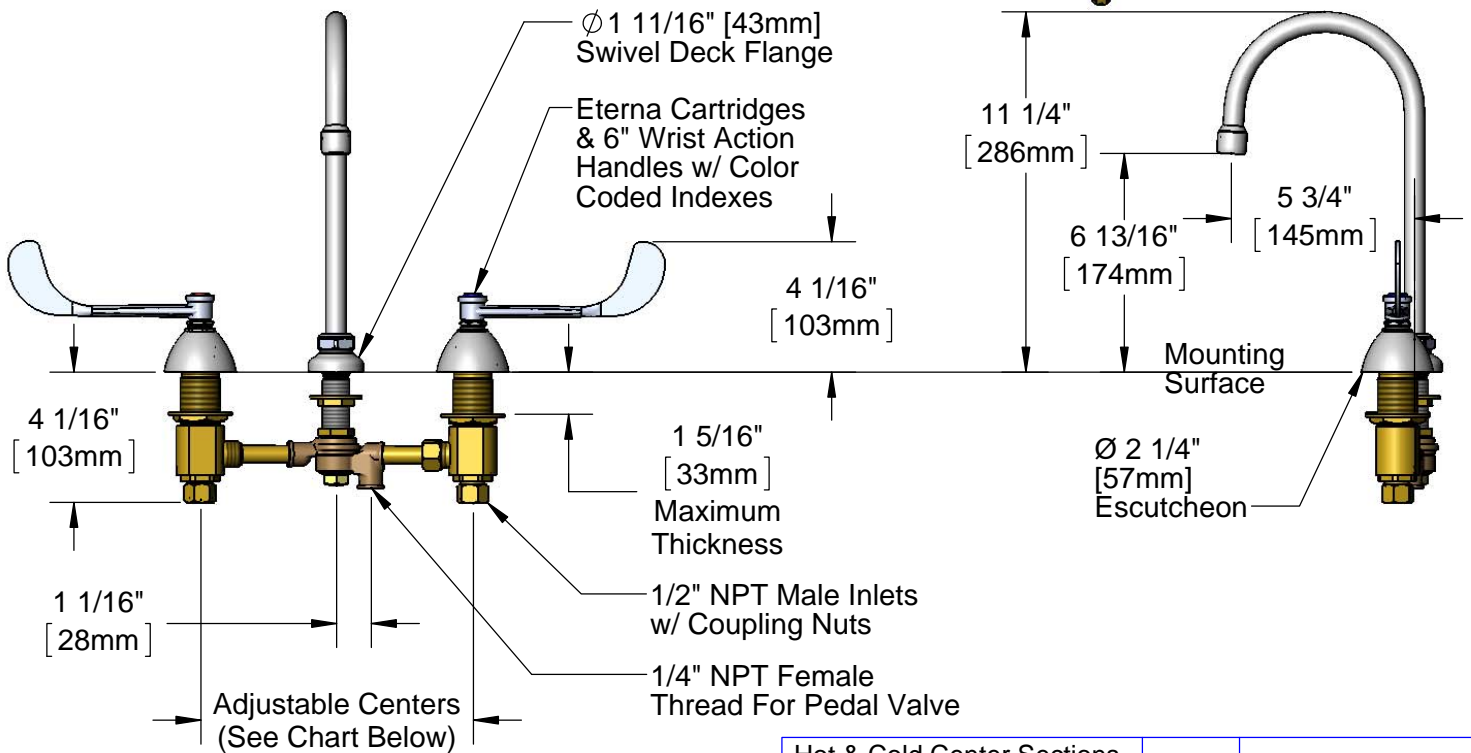
Customer/Wholesaler _____

Contractor _____

Architect/Engineer _____



ADA Compliant



Rough-In Requirement:
Center Shank: $\phi 1''$ [$\phi 25\text{mm}$] Mounting Hole
Hot/Cold Bodies: $\phi 1 1/2''$ [$\phi 38\text{mm}$] Mounting Holes

<p>Hot & Cold Center Sections Can be at Angle</p>	if "Y" is	Then Faucet Will Fit "X" with Standard 1/4" NPT Cross Pipes Furnished
	1/2"	8"
	1"	7 3/4"
	1 1/2"	7 3/8"
	2"	7"

Product Specifications:

8" Deck Mount Mixing Faucet, Eterna Cartridges, 6" Wrist Action Handles, Swivel Gooseneck w/ 2.2 GPM Aerator, Pedal Valve Connection & 1/2" NPT Male Inlets w/ Coupling Nuts

Product Compliance:

ASME A112.18.1 / CSA B125.1
NSF 61 - Section 9
NSF 372 (Low Lead Content)
ANSI A117.1 (ADA)



T&S BRASS AND BRONZE WORKS, INC.

2 Saddleback Cove / P.O. Box 1088
Travelers Rest, SC 29690

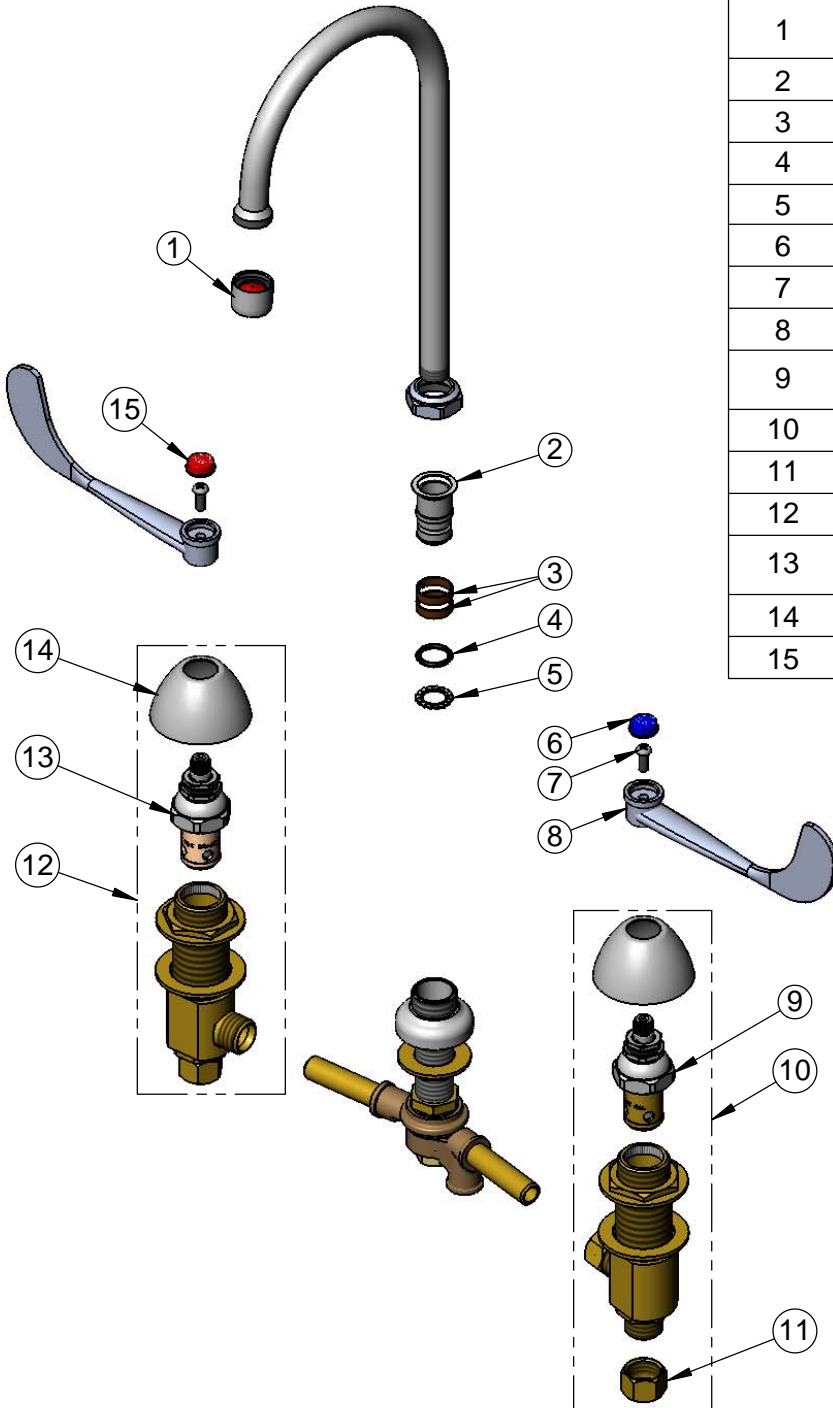
Model No.

B-0866-07-PV

Item No.

Travelers Rest, SC: 800-476-4103 • Simi Valley, CA: 800-423-0150 • Fax: 864-834-3518 • www.tsbrass.com

ITEM NO.	SALES NO.	DESCRIPTION
1	B-0199-01	2.2 GPM Aerator, 55/64"-27 UN Female
2	009538-45	Swivel Washer
3	011429-45	Swivel Sleeves (2)
4	001074-45	O-Ring
5	014200-45	Star Washer, Anti-Rotation
6	001686-45	Blue Index- CW
7	000925-45	Lab Handle Screw
8	B-WH6	6" Wrist Action Handle
9	006477-40	Eterna Cartridge, LTC (Teflon) w/ Escutcheon Bonnet
10	161A	B-0850 Side Body - Cold
11	000958-20	Coupling Nut
12	162A	B-0850 Side Body - Hot
13	006478-40	Eterna Cartridge, RTC (Teflon) w/ Escutcheon Bonnet
14	001257-40	Bell Escutcheon
15	001194-45	Red Index - HW



Product Specifications:

8" Deck Mount Mixing Faucet, Eterna Cartridges, 6" Wrist Action Handles, Swivel Gooseneck w/ 2.2 GPM Aerator, Pedal Valve Connection & 1/2" NPT Male Inlets w/ Coupling Nuts

Product Compliance:

ASME A112.18.1 / CSA B125.1
NSF 61 - Section 9
NSF 372 (Low Lead Content)
ANSI A117.1 (ADA)