

# T&S BRASS AND BRONZE WORKS, INC.

2 Saddleback Cove / P.O. Box 1088  
Travelers Rest, SC 29690

Model No.

**B-0866-04-CR**

Item No.

Travelers Rest, SC: 800-476-4103 • Simi Valley, CA: 800-423-0150 • Fax: 864-834-3518 • www.tsbrass.com



**ADA Compliant**

This Space for Architect/Engineer Approval

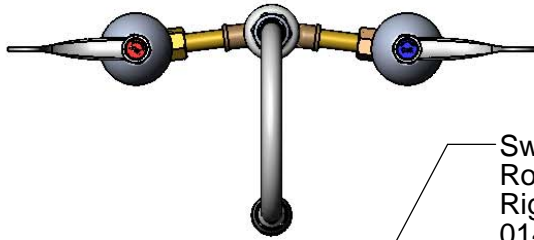
Job Name \_\_\_\_\_ Date \_\_\_\_\_

Model Specified \_\_\_\_\_ Quantity \_\_\_\_\_

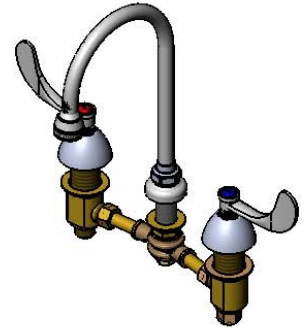
Customer/Wholesaler \_\_\_\_\_

Contractor \_\_\_\_\_

Architect/Engineer \_\_\_\_\_

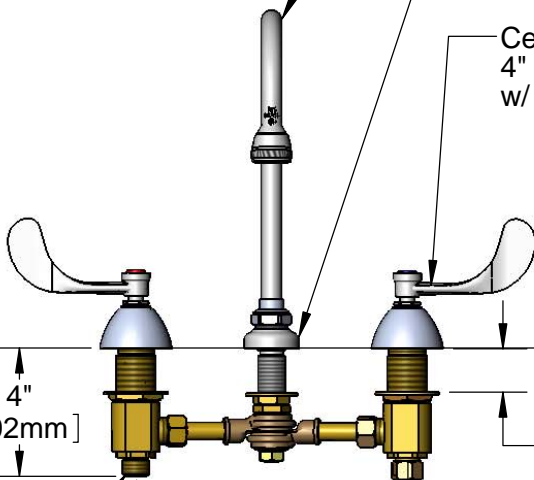
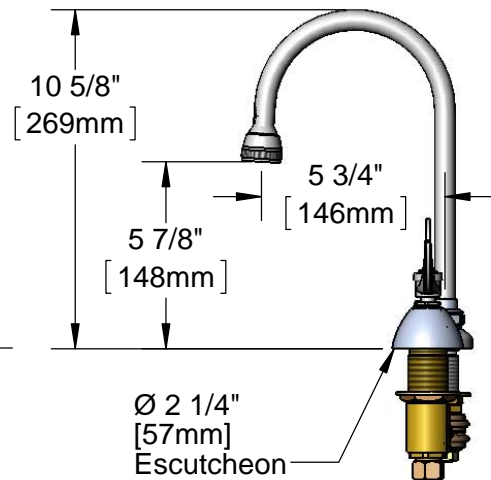


Swivel Gooseneck w/  
Rosespray Outlet.  
Rigid Conversion Requires  
014200-45 Lock Washer  
(Included)



Ø 1 11/16"  
[43mm]  
Swivel Deck  
Flange

Cerama Cartridges &  
4" Wrist Action Handles  
w/ Color Coded Indexes



1/2" NPT Threads w/  
Brass Coupling Nuts

| Hot & Cold Center Sections<br>Can be at Angle |  | if "Y" is | Then Faucet Will<br>Fit "X" with Standard<br>1/4" NPT Cross Pipes<br>Furnished |
|---|--|-----------|--|
|   |  | 1/2"      | 8"   |
|   |  | 1"        | 7 3/4"   |
|   |  | 1 1/2"    | 7 3/8"   |
|   |  | 2"        | 7"   |

**Rough-In Requirement:**  
Center Shank: Ø 1" [25mm] Mounting Hole  
Hot/Cold Bodies: Ø 1 1/2" [38mm] Mounting Hole

**Product Specifications:**  
8" Deck Mount Mixing Faucet w/ Cerama Cartridges, 4" Wrist Action  
Handles, Swivel Gooseneck w/ Rosespray Outlet

|                     |                       |                        |
|---------------------|-----------------------|------------------------|
| Drawn<br><b>KJG</b> | Checked<br><b>DMH</b> | Approved<br><b>JHB</b> |
|---------------------|-----------------------|------------------------|

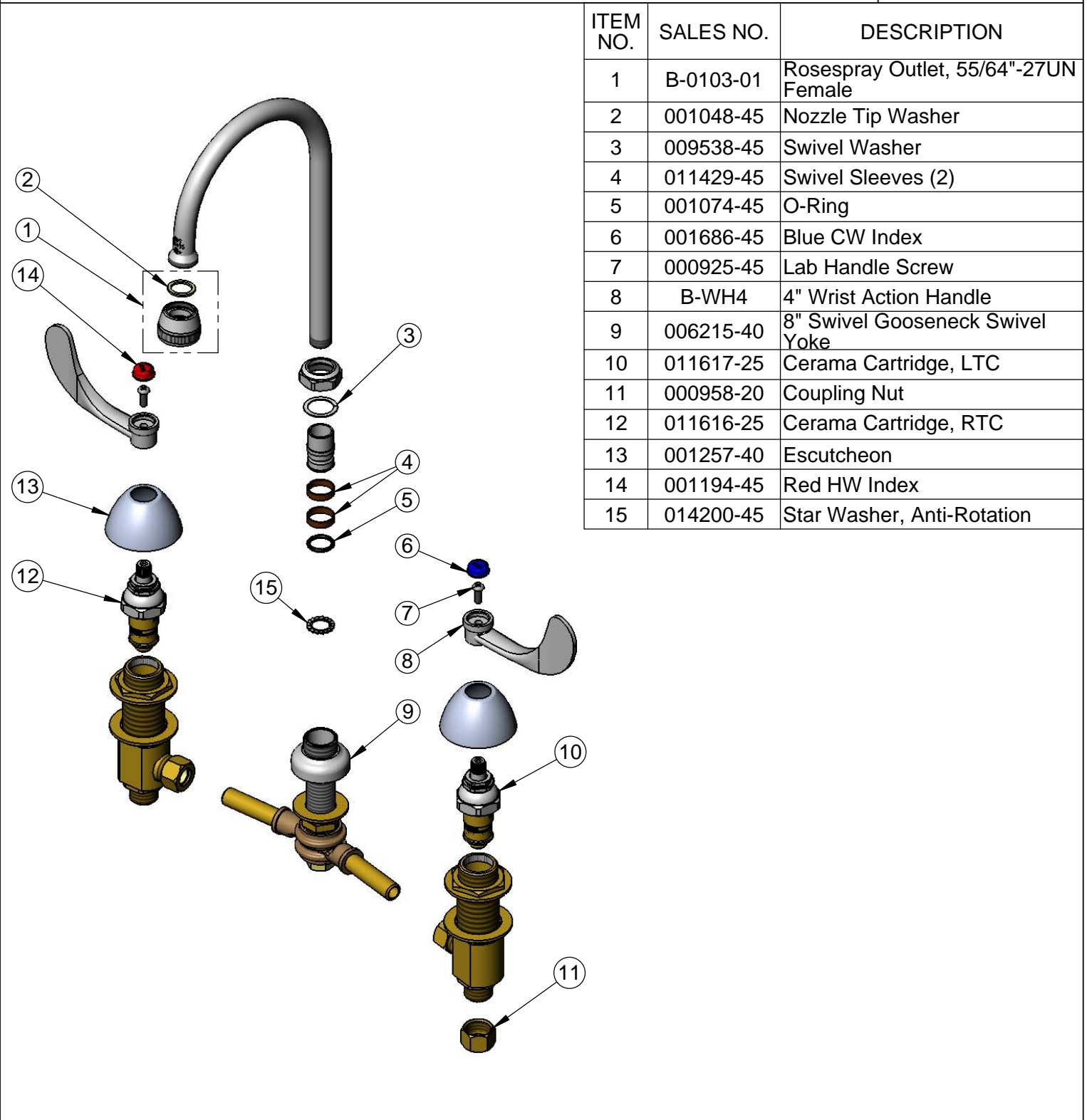
|                      |                          |
|----------------------|--------------------------|
| Scale:<br><b>1:6</b> | Date:<br><b>01/31/14</b> |
|----------------------|--------------------------|



**T&S BRASS AND BRONZE WORKS, INC.**  
 2 Saddleback Cove / P.O. Box 1088  
 Travelers Rest, SC 29690

Model No.  
**B-0866-04-CR**  
 Item No.

Travelers Rest, SC: 800-476-4103 • Simi Valley, CA: 800-423-0150 • Fax: 864-834-3518 • www.tsbrass.com



| ITEM NO. | SALES NO. | DESCRIPTION                          |
|----------|-----------|--------------------------------------|
| 1        | B-0103-01 | Rosespray Outlet, 55/64"-27UN Female |
| 2        | 001048-45 | Nozzle Tip Washer                    |
| 3        | 009538-45 | Swivel Washer                        |
| 4        | 011429-45 | Swivel Sleeves (2)                   |
| 5        | 001074-45 | O-Ring                               |
| 6        | 001686-45 | Blue CW Index                        |
| 7        | 000925-45 | Lab Handle Screw                     |
| 8        | B-WH4     | 4" Wrist Action Handle               |
| 9        | 006215-40 | 8" Swivel Gooseneck Swivel Yoke      |
| 10       | 011617-25 | Cerama Cartridge, LTC                |
| 11       | 000958-20 | Coupling Nut                         |
| 12       | 011616-25 | Cerama Cartridge, RTC                |
| 13       | 001257-40 | Escutcheon                           |
| 14       | 001194-45 | Red HW Index                         |
| 15       | 014200-45 | Star Washer, Anti-Rotation           |

Product Specifications:  
 8" Deck Mount Mixing Faucet w/ Cerama Cartridges, 4" Wrist Action Handles, Swivel Gooseneck w/ Rosespray Outlet

|                      |                       |                          |
|----------------------|-----------------------|--------------------------|
| Drawn<br><b>KJG</b>  | Checked<br><b>DMH</b> | Approved<br><b>JHB</b>   |
| Scale:<br><b>NTS</b> |                       | Date:<br><b>01/31/14</b> |