



T&S BRASS AND BRONZE WORKS, INC.

2 Saddleback Cove / P.O. Box 1088
Travelers Rest, SC 29690

Model No.

B-0865-04-F12

Item No.

Travelers Rest, SC: 800-476-4103 • Simi Valley, CA: 800-423-0150 • Fax: 864-834-3518 • www.tsbrass.com



ADA Compliant

This Space for Architect/Engineer Approval

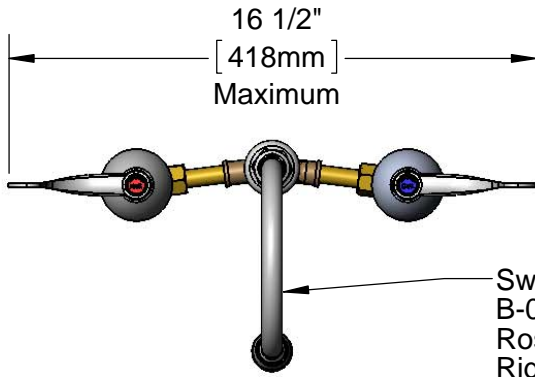
Job Name _____ Date _____

Model Specified _____ Quantity _____

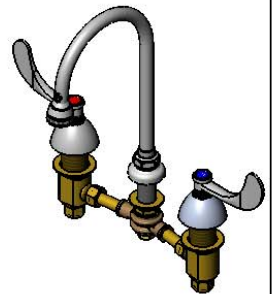
Customer/Wholesaler _____

Contractor _____

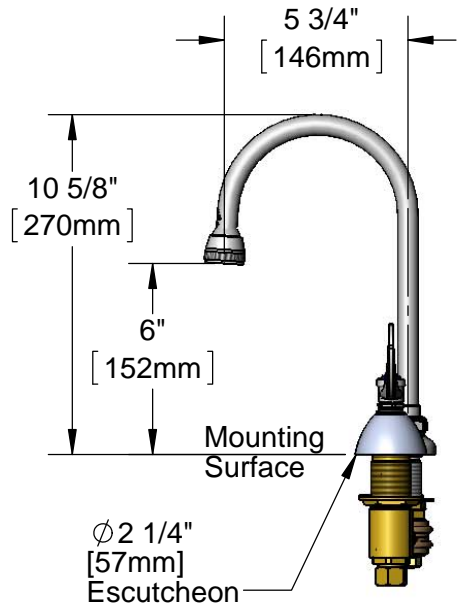
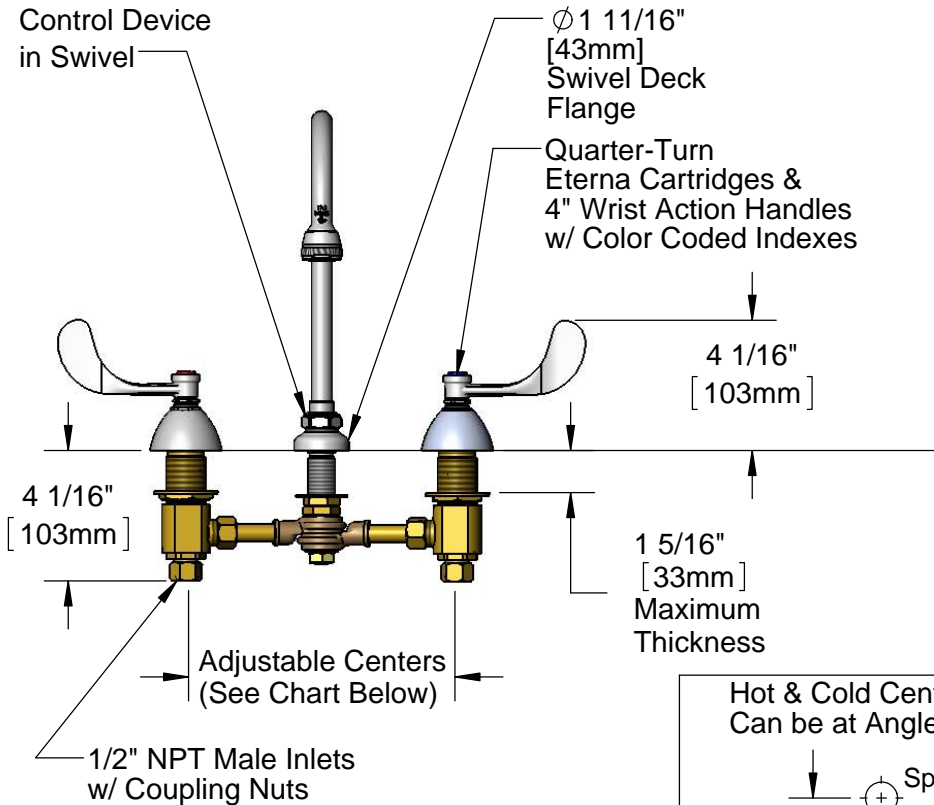
Architect/Engineer _____



Swivel Gooseneck w/
B-0103-01
Rosespray Outlet
Rigid Conversion Requires
014200-45 Lock Washer
(Included)



1.2 GPM Flow
Control Device
in Swivel



Rough-In Requirement:
Center Shank: $\phi 1$ " [$\phi 25$ mm] Mounting Hole
Hot/Cold Bodies: $\phi 1 \frac{1}{2}$ " [$\phi 38$ mm] Mounting Holes

Hot & Cold Center Sections Can be at Angle	if "Y" is	Then Faucet Will Fit "X" with Standard 1/4" NPT Cross Pipes Furnished
	1/2"	8"
	1"	7 3/4"
	1 1/2"	7 3/8"
	2"	7"

Product Specifications:

8" Deck Mount Mixing Faucet, Quarter-Turn Eterna Cartridges, 4" Wrist Action Handles, Swivel Gooseneck w/ Rosespray Outlet, 1.2 GPM Flow Control Device & 1/2" NPT Male Inlets w/ Coupling Nuts

Product Compliance:

ASME A112.18.1 / CSA B125.1
NSF 61 - Section 9
NSF 372 (Low Lead Content)
ANSI A117.1 (ADA)
EPA WaterSense



T&S BRASS AND BRONZE WORKS, INC.

2 Saddleback Cove / P.O. Box 1088
Travelers Rest, SC 29690

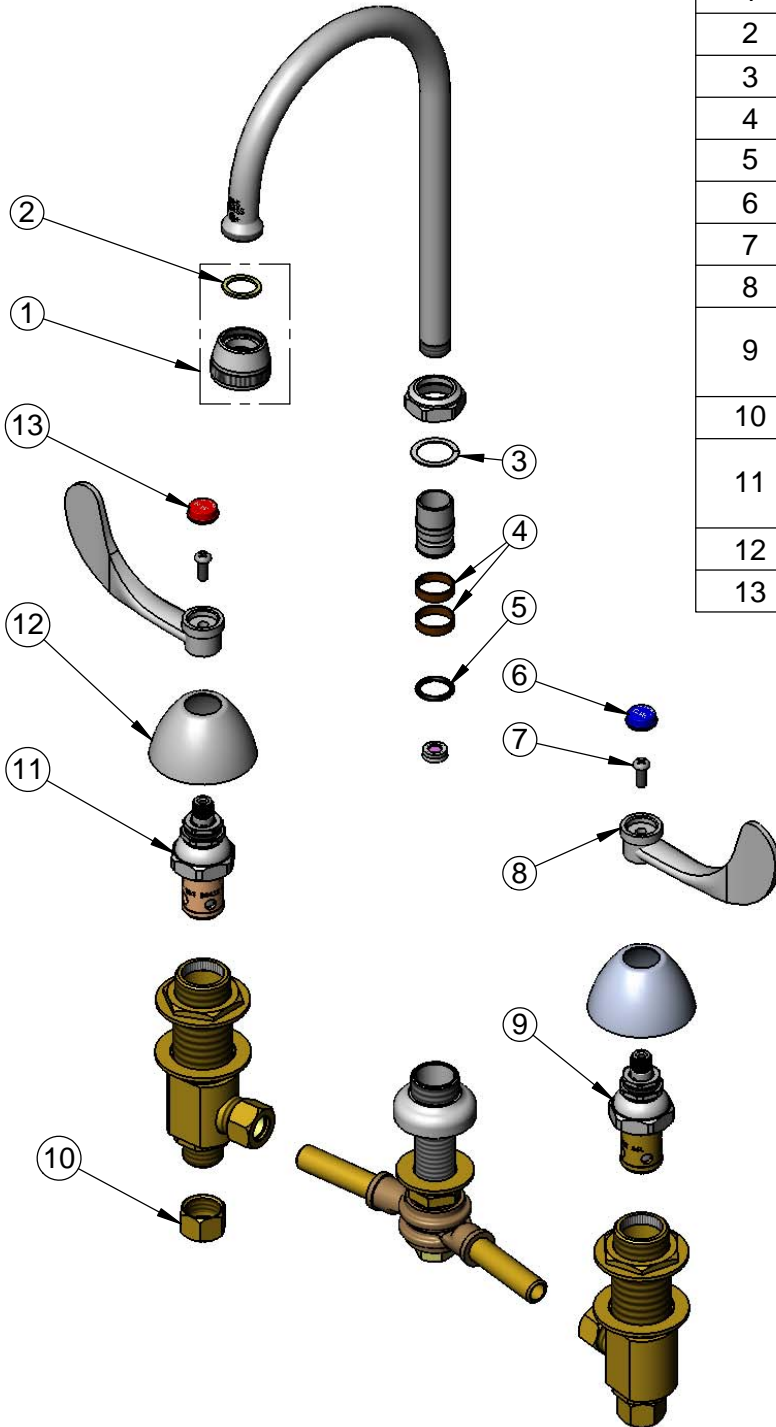
Model No.

B-0865-04-F12

Item No.

Travelers Rest, SC: 800-476-4103 • Simi Valley, CA: 800-423-0150 • Fax: 864-834-3518 • www.tsbrass.com

ITEM NO.	SALES NO.	DESCRIPTION
1	B-0103-01	Rosespray Outlet
2	001048-45	Nozzle Tip Washer
3	009538-45	Swivel Washer
4	011429-45	Swivel Sleeves (2)
5	001074-45	O-Ring
6	001686-45	Blue Index-CW
7	000925-45	Lab Handle Screw
8	B-WH4	4" Wrist Action Handle
9	006477-40QT	Quarter-Turn Eterna Cartridge, LTC (Teflon) w/ Escutcheon Bonnet
10	000958-20	Coupling Nut
11	006478-40QT	Quarter-Turn Eterna Cartridge, RTC (Teflon) w/ Escutcheon Bonnet
12	001257-40	Bell Escutcheon
13	001194-45	Red Index-HW



Product Specifications:

8" Deck Mount Mixing Faucet, Quarter-Turn Eterna Cartridges, 4" Wrist Action Handles, Swivel Gooseneck w/ Rosespray Outlet, 1.2 GPM Flow Control Device & 1/2" NPT Male Inlets w/ Coupling Nuts

Product Compliance:

ASME A112.18.1 / CSA B125.1
NSF 61 - Section 9
NSF 372 (Low Lead Content)
ANSI A117.1 (ADA)
EPA WaterSense