



T&S BRASS AND BRONZE WORKS, INC.

2 Saddleback Cove / P.O. Box 1088
Travelers Rest, SC 29690

Model No.

B-0855

Item No.

Travelers Rest, SC: 800-476-4103 • Simi Valley, CA: 800-423-0150 • Fax: 864-834-3518 • www.tsbrass.com



ADA Compliant

This Space for Architect/Engineer Approval

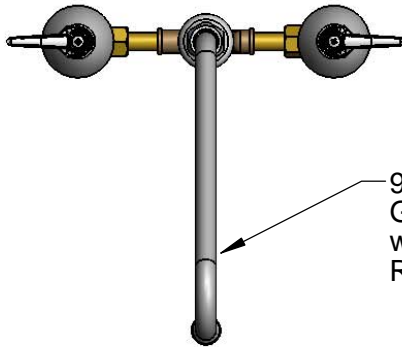
Job Name _____ Date _____

Model Specified _____ Quantity _____

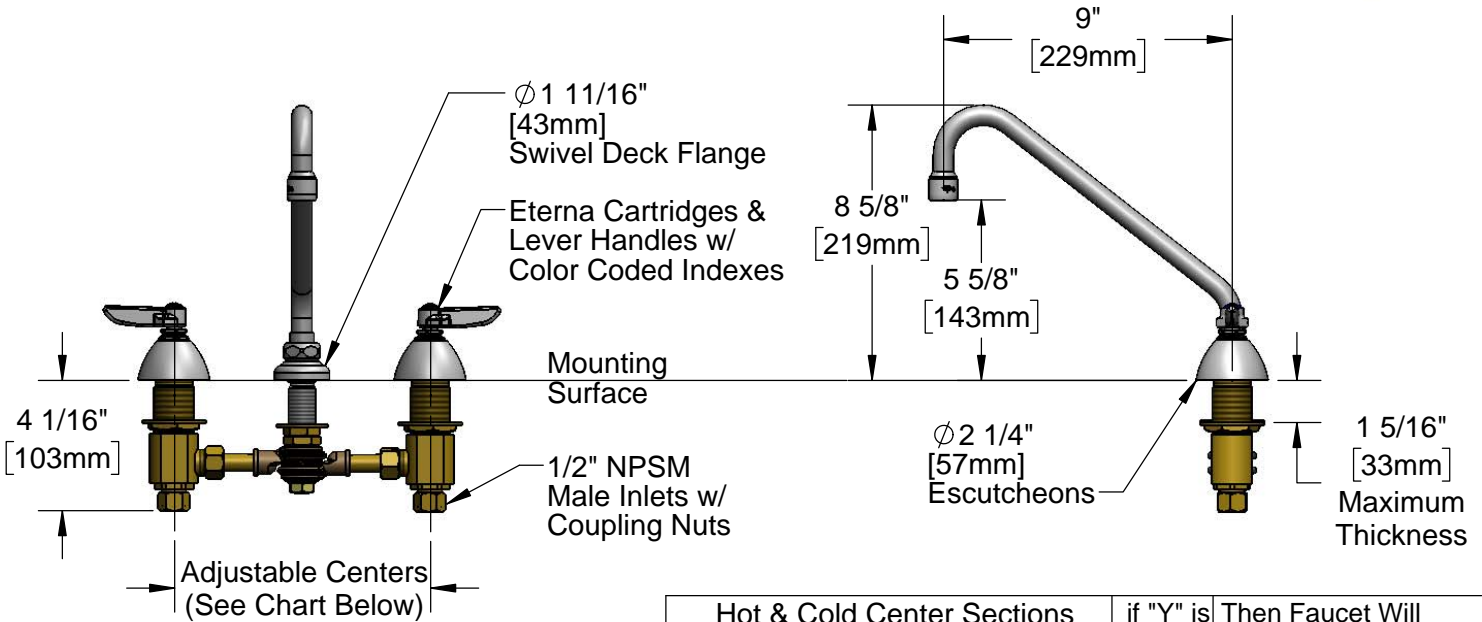
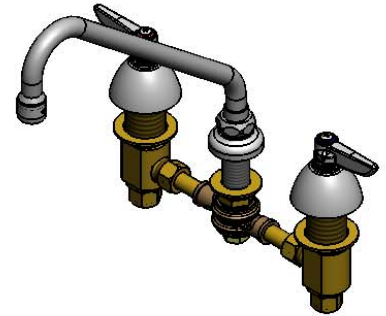
Customer/Wholesaler _____

Contractor _____

Architect/Engineer _____



9" Swivel Gooseneck w/ Stream Regulator Outlet



Rough-In Requirement:
Center Shank: $\phi 1"$ [25mm] Mounting Hole
Hot/Cold Side: $\phi 1 1/2"$ [38mm] Mounting Holes

Hot & Cold Center Sections Can be at Angle	if "Y" is	Then Faucet Will Fit "X" with Standard 1/4" NPT Cross Pipes Furnished
	1/2"	8"
	1"	7 3/4"
	1 1/2"	7 3/8"
	2"	7"

Product Specifications:
8" Adjustable Centers Deck Mount Mixing Faucet, Eterna Cartridges, Lever Handles, 9" Swivel Gooseneck, Stream Regulator Outlet & 1/2" NPSM Male Inlets

Product Compliance:
ASME A112.18.1 / CSA B125.1
NSF 61 - Section 9
NSF 372 (Low Lead Content)
ANSI A117.1 (ADA)

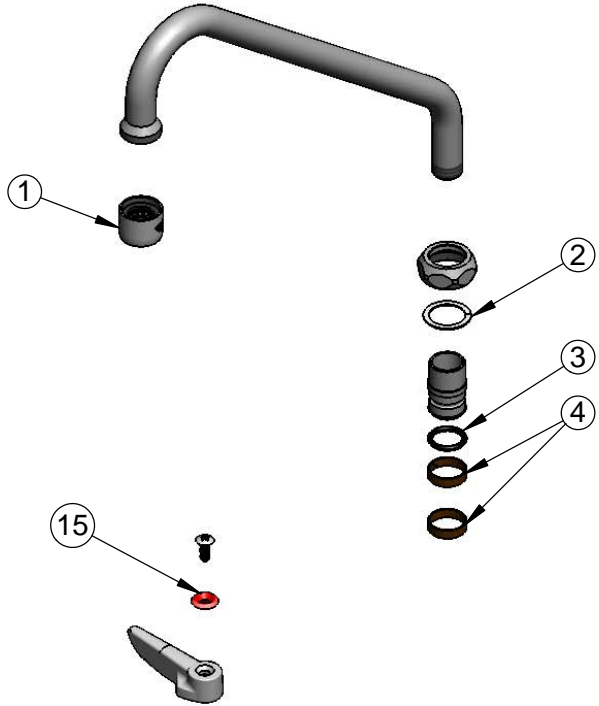


T&S BRASS AND BRONZE WORKS, INC.
 2 Saddleback Cove / P.O. Box 1088
 Travelers Rest, SC 29690

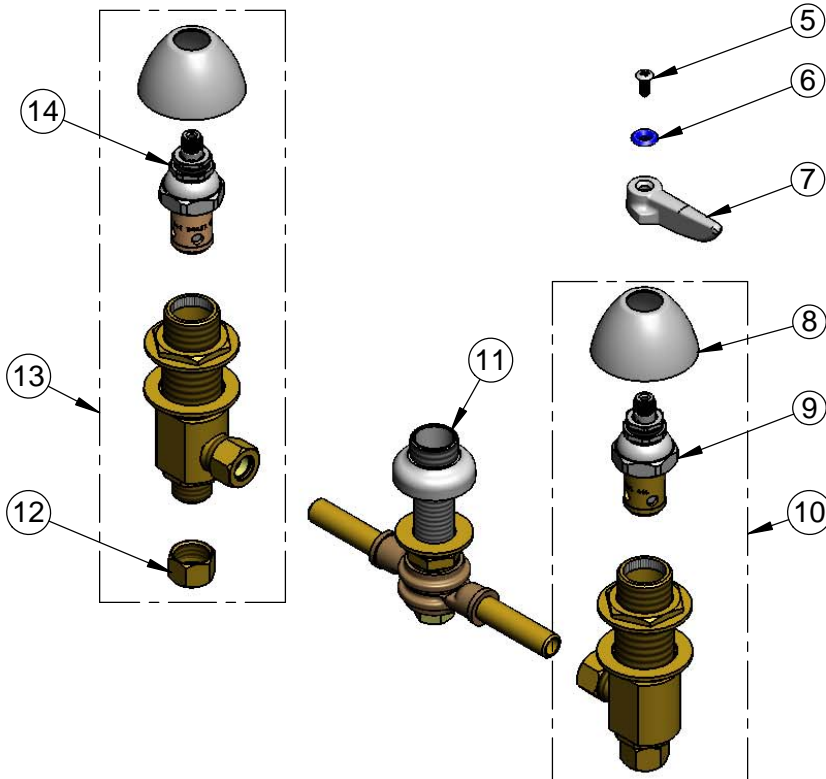
Model No.
B-0855

Item No.

Travelers Rest, SC: 800-476-4103 • Simi Valley, CA: 800-423-0150 • Fax: 864-834-3518 • www.tsbrass.com



ITEM NO.	SALES NO.	DESCRIPTION
1	B-PT	Full Flow Stream Regulator, 55/64-27
2	009538-45	Swivel Washer
3	001074-45	O-Ring
4	011429-45	Swivel Sleeves (2)
5	000922-45	Lever Handle Screw
6	001660-45	Blue Index-CW
7	001638-45	Lever Handle
8	001257-40	Bell Escutcheon
9	006477-40	Eterna Cartridge, LTC (Teflon) w/ Escutcheon Bonnet
10	161A	B-0850 Side Body - Cold
11	006215-40	Swivel Yoke
12	000958-20	Coupling Nut
13	162A	B-0850 Side Body - Hot
14	006478-40	Eterna Cartridge, RTC (Teflon) w/ Escutcheon Bonnet
15	001661-45	Red Index-HW



Product Specifications:
 8" Adjustable Centers Deck Mount Mixing Faucet, Eterna Cartridges, Lever Handles, 9" Swivel Gooseneck, Stream Regulator Outlet & 1/2" NPSM Male Inlets

Product Compliance:
 ASME A112.18.1 / CSA B125.1
 NSF 61 - Section 9
 NSF 372 (Low Lead Content)
 ANSI A117.1 (ADA)