

# T&S BRASS AND BRONZE WORKS, INC.

2 Saddleback Cove / P.O. Box 1088  
Travelers Rest, SC 29690

Model No.

**B-0837-PA**

Item No.

Travelers Rest, SC: 800-476-4103 • Simi Valley, CA: 800-423-0150 • Fax: 864-834-3518 • www.tsbrass.com



**ADA Compliant**

This Space for Architect/Engineer Approval

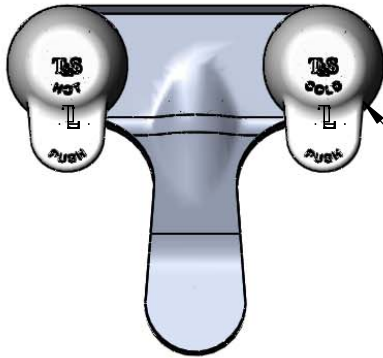
Job Name \_\_\_\_\_ Date \_\_\_\_\_

Model Specified \_\_\_\_\_ Quantity \_\_\_\_\_

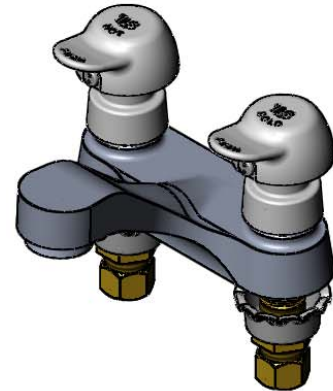
Customer/Wholesaler \_\_\_\_\_

Contractor \_\_\_\_\_

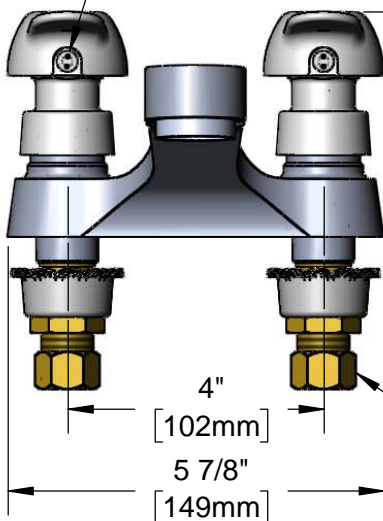
Architect/Engineer \_\_\_\_\_



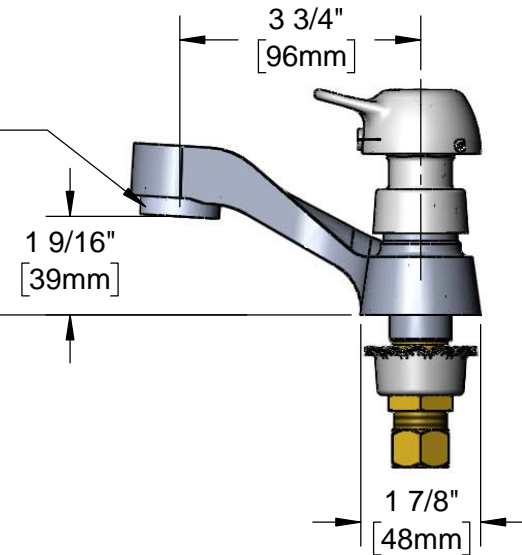
Pivot Action  
Metering Cartridges  
w/ Hot & Cold Handles and  
Vandal Resistant Screws



Vandal Resistant Screw.  
Loosen Screw (Do Not  
Remove) and Flip Handle  
Up to Access Metering  
Adjustment.  
(Metering Adjustment  
Requires 3/32" Hex Key)



3 1/2" [89mm]  
Drip Proof  
Spray Face  
Mounting  
Surface  
4" [102mm]  
5 7/8" [149mm]  
1/2" NPSM  
Male Inlets w/  
Coupling Nuts



3 3/4" [96mm]  
1 9/16" [39mm]  
1 7/8" [48mm]

Rough-In Requirement:  
(2)  $\varnothing$  1 1/8" [30mm] Mounting Holes

**Product Specifications:**

4" Centerset Deck Mount Faucet with Pivot Action Metering Cartridges, Drip Proof Spray Face and 1/2" NPSM Male Inlets w/ Coupling Nuts

**Product Compliance:**

ASME A112.18.1 / CSA B125.1  
NSF 61 - Section 9  
NSF 372 (Low Lead Content)  
ANSI A117.1 (ADA)



# T&S BRASS AND BRONZE WORKS, INC.

2 Saddleback Cove / P.O. Box 1088  
Travelers Rest, SC 29690

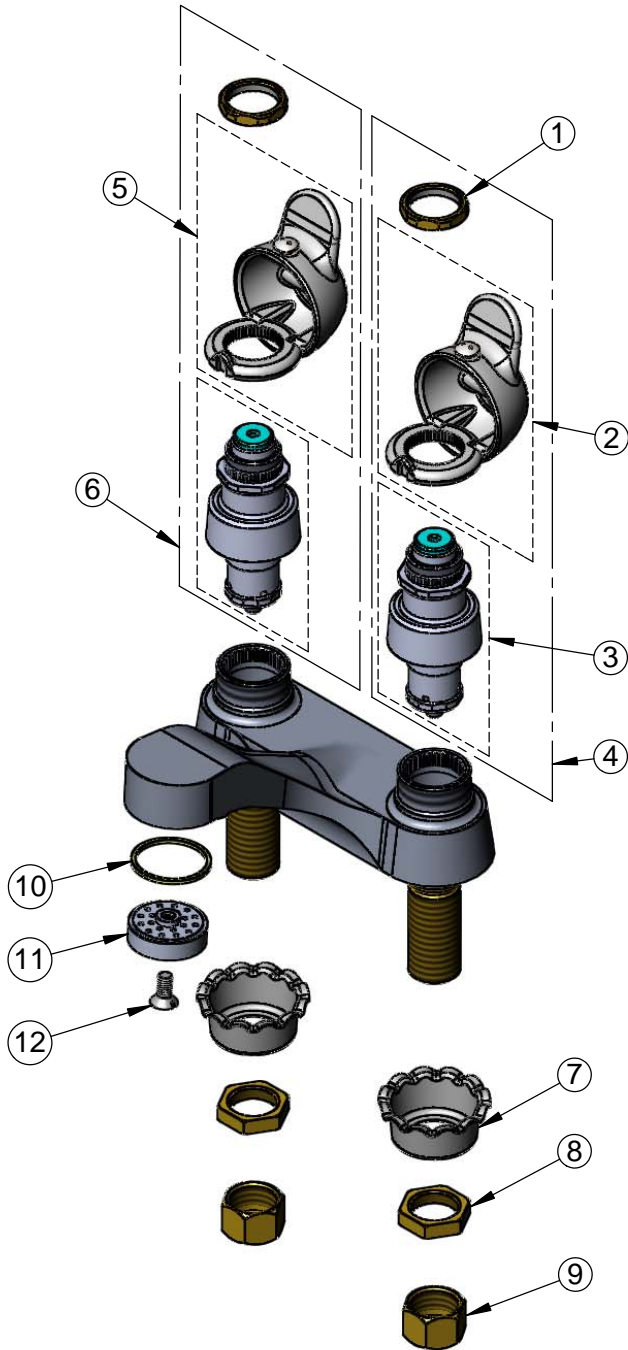
Model No.

**B-0837-PA**

Item No.

Travelers Rest, SC: 800-476-4103 • Simi Valley, CA: 800-423-0150 • Fax: 864-834-3518 • www.tsbrass.com

ITEM NO.	SALES NO.	DESCRIPTION
1	PA-N	Retaining Nut
2	PA-C	Cold Pivot Action Handle Assembly w/ Retaining Nut and Spanner Bit
3	238A-PA	Pivot Action Metering Cartridge w/ Retaining Nut
4	238AC-PA	Pivot Action Metering Cartridge w/ Cold Pivot Action Handle, Retaining Nut and Spanner Bit
5	PA-H	Hot Pivot Action Handle Assembly w/ Retaining Nut and Spanner Bit
6	238AH-PA	Pivot Action Metering Cartridge w/ Hot Pivot Action Handle, Retaining Nut and Spanner Bit
7	001000-45	Rosette Washer
8	002954-45	Shank Lock Nut
9	000958-20	Coupling Nut
10	001018-45	Santoprene Washer
11	010574-25	Drip Proof Spray Face
12	000921-45	Flat Head Screw



  
Spanner Bit for  
Vandal Resistant Screw  
014734-45

  
Pivot Action Handle  
Vandal Resistant Screw  
016654-45

**Product Specifications:**

4" Centerset Deck Mount Faucet with Pivot Action Metering Cartridges, Drip Proof Spray Face and 1/2" NSPM Male Inlets w/ Coupling Nuts

**Product Compliance:**

ASME A112.18.1 / CSA B125.1  
NSF 61 - Section 9  
NSF 372 (Low Lead Content)  
ANSI A117.1 (ADA)