



# T&S BRASS AND BRONZE WORKS, INC.

2 Saddleback Cove / P.O. Box 1088  
Travelers Rest, SC 29690

Model No.

**B-0834**

Item No.

Travelers Rest, SC: 800-476-4103 • Simi Valley, CA: 800-423-0150 • Fax: 864-834-3518 • www.tsbrass.com



**ADA Compliant**

This Space for Architect/Engineer Approval

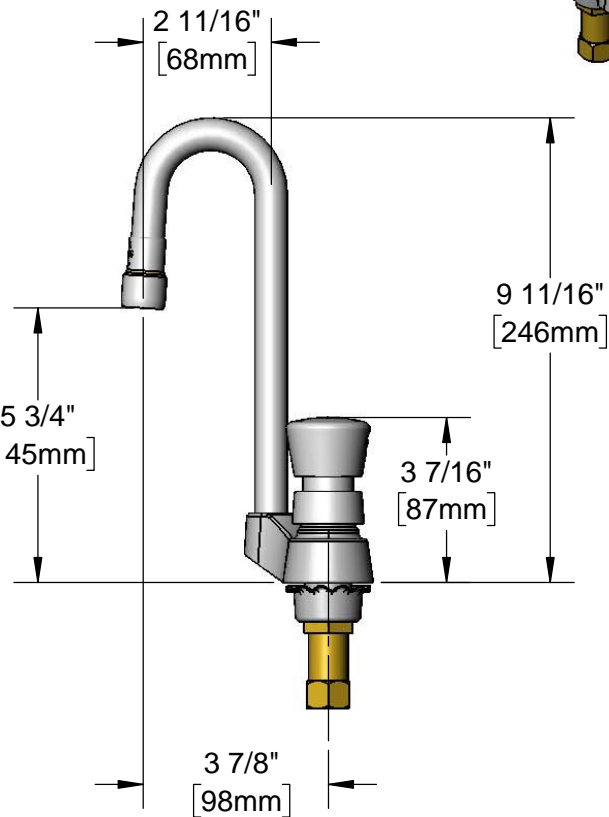
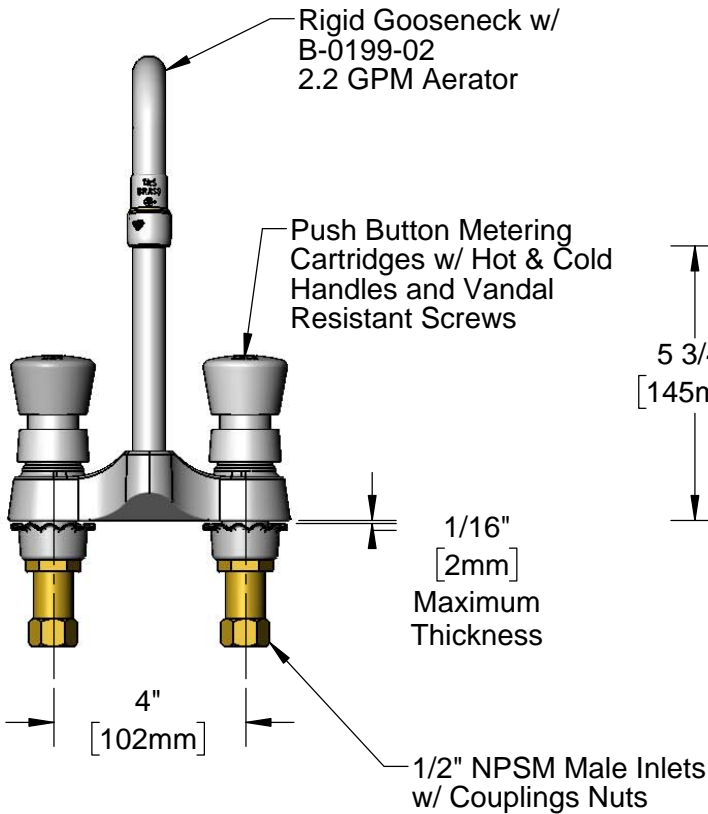
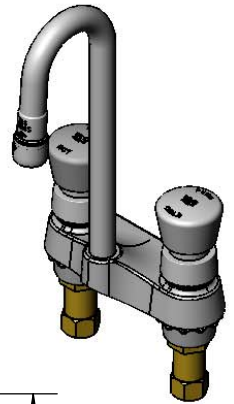
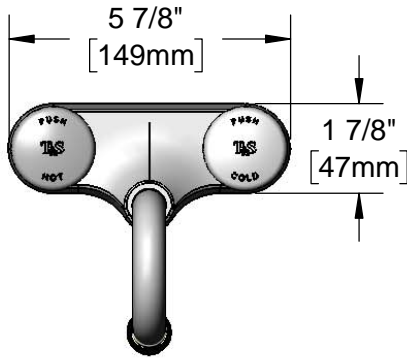
Job Name \_\_\_\_\_ Date \_\_\_\_\_

Model Specified \_\_\_\_\_ Quantity \_\_\_\_\_

Customer/Wholesaler \_\_\_\_\_

Contractor \_\_\_\_\_

Architect/Engineer \_\_\_\_\_



**Rough-In Requirement:**  
(2)  $\phi$  1 1/8" [30mm] Mounting Holes

**Product Specifications:**  
4" Centerset Deck Mount Mixing Faucet, Push Button Metering Cartridges, Rigid Gooseneck, 2.2 GPM Aerator & 1/2" NPSM Male Inlets w/ Coupling Nuts

**Product Compliance:**  
ASME A112.18.1 / CSA B125.1  
NSF 61 - Section 9  
NSF 372 (Low Lead Content)  
ANSI A117.1 (ADA)

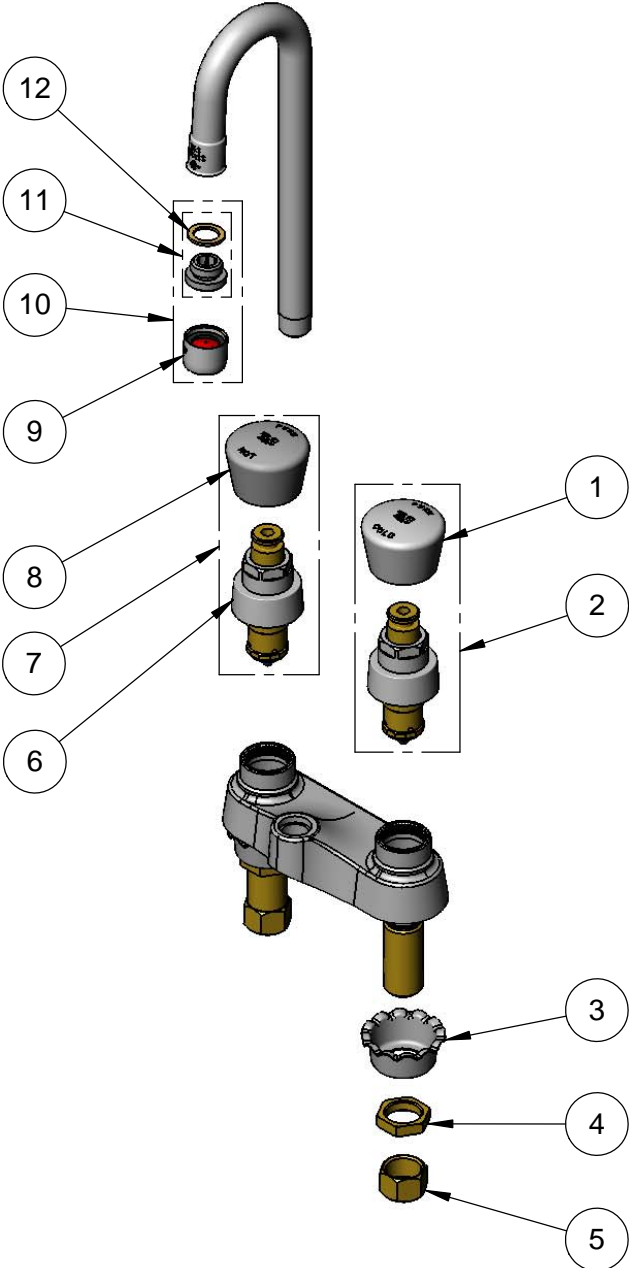


**T&S BRASS AND BRONZE WORKS, INC.**  
 2 Saddleback Cove / P.O. Box 1088  
 Travelers Rest, SC 29690

Model No.  
**B-0834**  
 Item No.

Travelers Rest, SC: 800-476-4103 • Simi Valley, CA: 800-423-0150 • Fax: 864-834-3518 • www.tsbrass.com

ITEM NO.	SALES NO.	DESCRIPTION
1	014195-40	Cold Push Button Cap w/ Spanner Bit
2	238AC	Push Button Metering Cartridge w/ Cold Push Button Cap & Spanner Bit
3	001000-45	Rosette Washer
4	002954-45	Shank Lock Nut
5	000958-20	Coupling Nut
6	238A	Push Button Metering Cartridge
7	238AH	Push Button Metering Cartridge w/ Hot Push Button Cap & Spanner Bit
8	014194-40	Hot Push Button Cap w/ Spanner Bit
9	B-0199-01	2.2 GPM Aerator, 55/64"-27 UN Female
10	B-0199-02	2.2 GPM Aerator, 3/8" NPSM Male
11	044A	3/8" to Aerator Adapter
12	001043-45	Washer



014734-45  
 Spanner Bit for  
 Vandal Resistant Screw

Product Specifications:  
 4" Centerset Deck Mount Mixing Faucet, Push Button Metering Cartridges,  
 Rigid Gooseneck, 2.2 GPM Aerator & 1/2" NPSM Male Inlets w/ Coupling  
 Nuts

Product Compliance:  
 ASME A112.18.1 / CSA B125.1  
 NSF 61 - Section 9  
 NSF 372 (Low Lead Content)  
 ANSI A117.1 (ADA)