



T&S BRASS AND BRONZE WORKS, INC.

2 Saddleback Cove / P.O. Box 1088
Travelers Rest, SC 29690

Model No.

B-0834-01

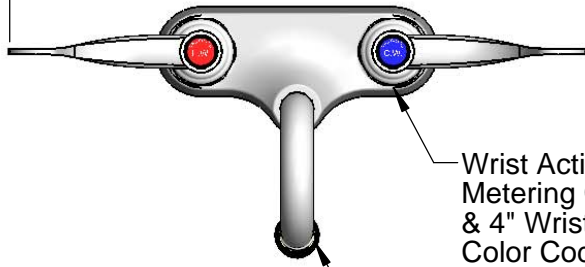
Item No.

Travelers Rest, SC: 800-476-4103 • Simi Valley, CA: 800-423-0150 • Fax: 864-834-3518 • www.tsbrass.com



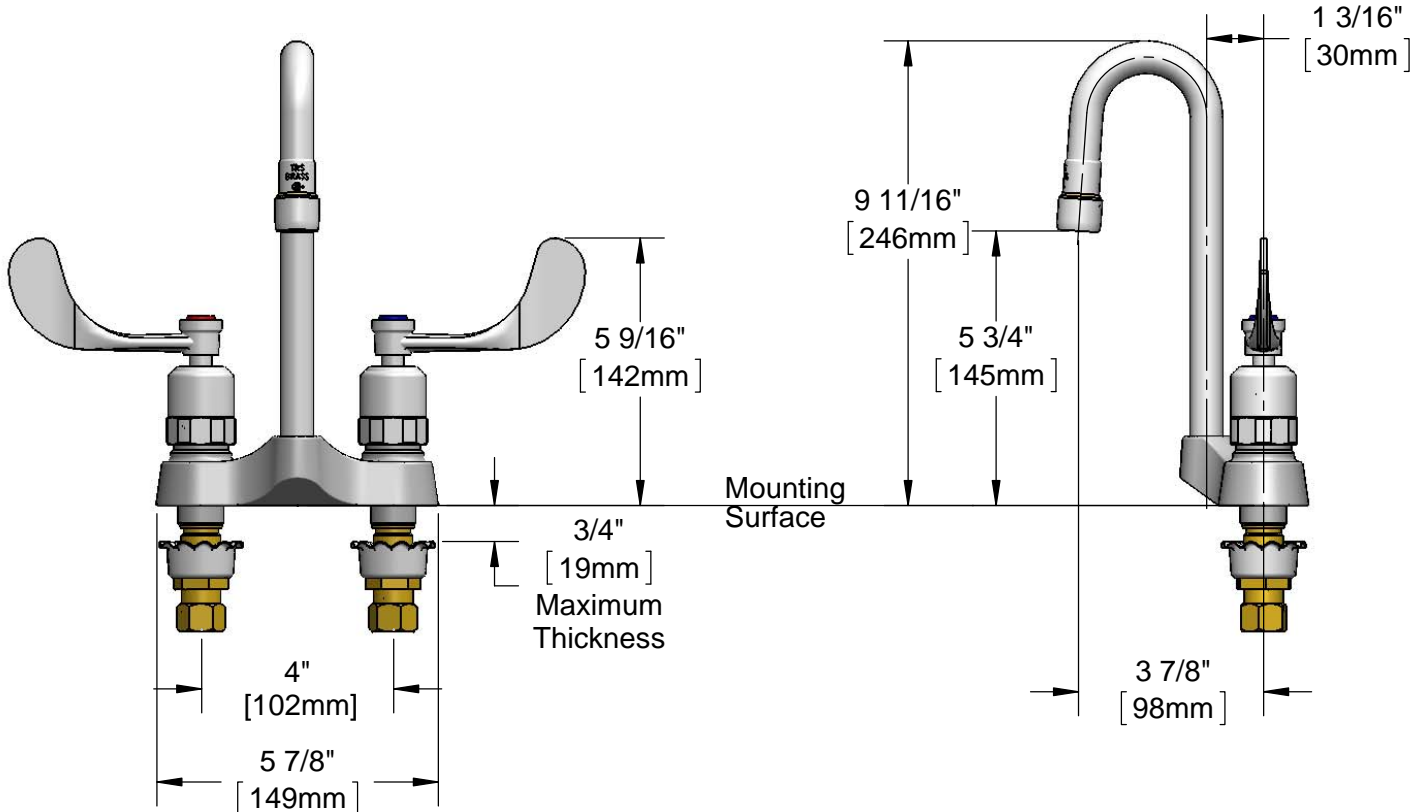
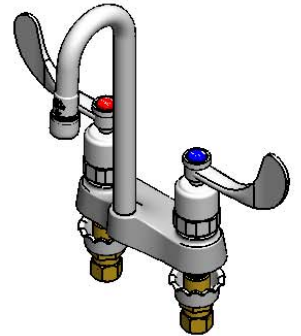
ADA Compliant

12"
[305mm]



Wrist Action
Metering Cartridge,
& 4" Wrist Action Handles w/
Color Coded Indexes

Rigid Gooseneck w/
B-0199-02
2.2 GPM Aerator



Product Specifications:

4" Centerset Deck Mount Mixing Faucet, 1/2" NPSM Male Inlets, Wrist Action Metering Cartridges, 4" Wrist Action Handles, Rigid Gooseneck & 2.2 GPM Aerator

Product Compliance:

ASME A112.18.1 / CSA B125.1
NSF 61 - Section 9
NSF 372 (Low Lead Content)
ANSI A117.1 (ADA)



T&S BRASS AND BRONZE WORKS, INC.

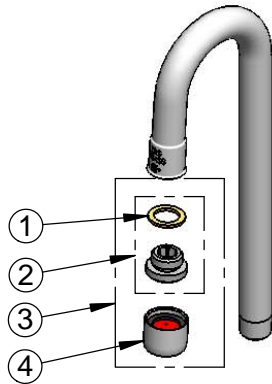
2 Saddleback Cove / P.O. Box 1088
Travelers Rest, SC 29690

Model No.

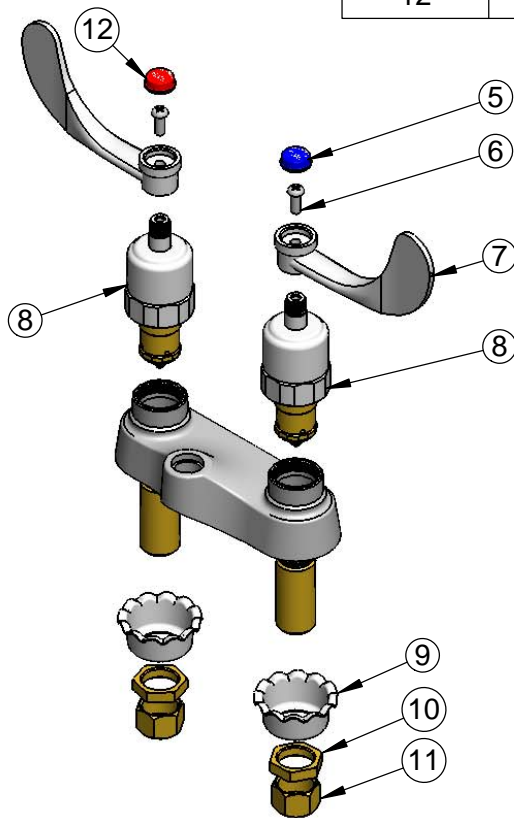
B-0834-01

Item No.

Travelers Rest, SC: 800-476-4103 • Simi Valley, CA: 800-423-0150 • Fax: 864-834-3518 • www.tsbrass.com



| ITEM NO. | SALES NO. | DESCRIPTION |
|----------|-----------|--------------------------------------|
| 1 | 001043-45 | Washer |
| 2 | 044A | 3/8" to Aerator Adapter |
| 3 | B-0199-02 | 2.2 GPM Aerator, 3/8" NPSM |
| 4 | B-0199-01 | 2.2 GPM Aerator, 55/64"-27 UN Female |
| 5 | 001686-45 | Blue Index - CW |
| 6 | 000925-45 | Lab Handle Screw |
| 7 | B-WH4 | 4" Wrist Action Handle |
| 8 | 012449-40 | Wrist Action Metering Cartridge |
| 9 | 001000-45 | Rosette Washer |
| 10 | 002954-45 | Shank Lock Nut |
| 11 | 000958-20 | Coupling Nut |
| 12 | 001194-45 | Red Index - HW |



Product Specifications:

4" Centerset Deck Mount Mixing Faucet, 1/2" NPSM Male Inlets, Wrist Action Metering Cartridges, 4" Wrist Action Handles, Rigid Gooseneck & 2.2 GPM Aerator

Product Compliance:

ASME A112.18.1 / CSA B125.1
NSF 61 - Section 9
NSF 372 (Low Lead Content)
ANSI A117.1 (ADA)