



# T&S BRASS AND BRONZE WORKS, INC.

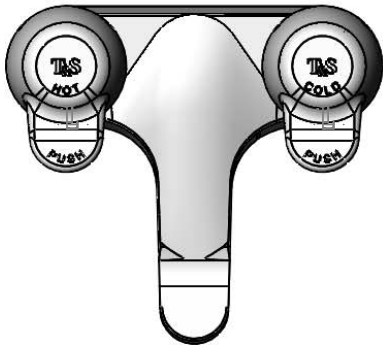
2 Saddleback Cove / P.O. Box 1088  
Travelers Rest, SC 29690

Model No.

**B-0831-PA**

Item No.

Travelers Rest, SC: 800-476-4103 • Simi Valley, CA: 800-423-0150 • Fax: 864-834-3518 • www.tsbrass.com



**ADA Compliant**

This Space for Architect/Engineer Approval

Job Name \_\_\_\_\_ Date \_\_\_\_\_

Model Specified \_\_\_\_\_ Quantity \_\_\_\_\_

Customer/Wholesaler \_\_\_\_\_

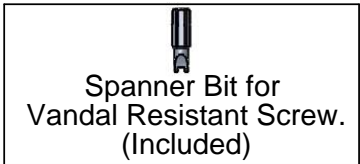
Contractor \_\_\_\_\_

Architect/Engineer \_\_\_\_\_



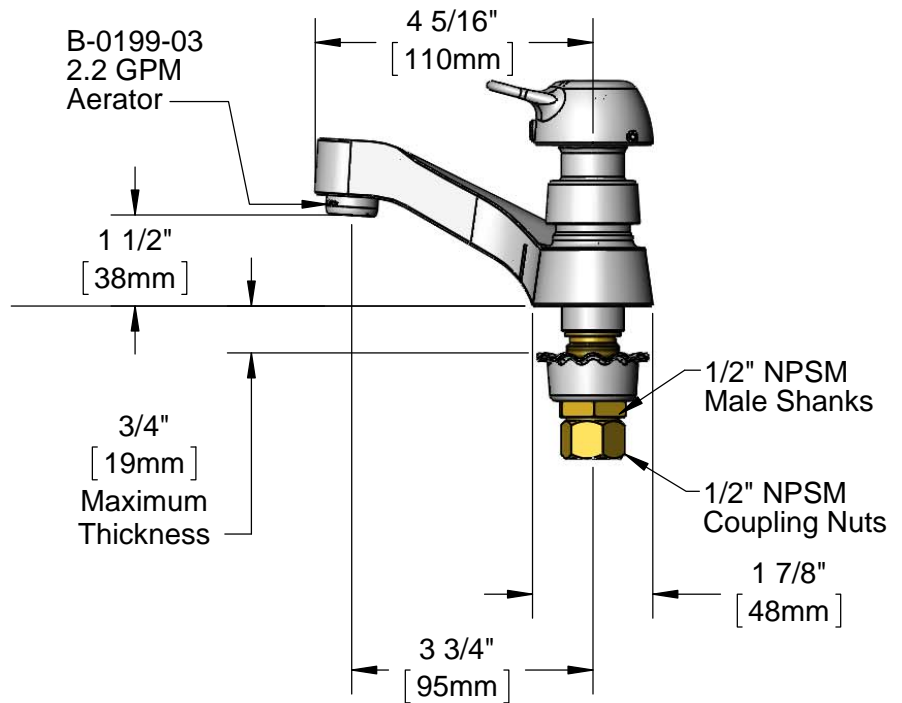
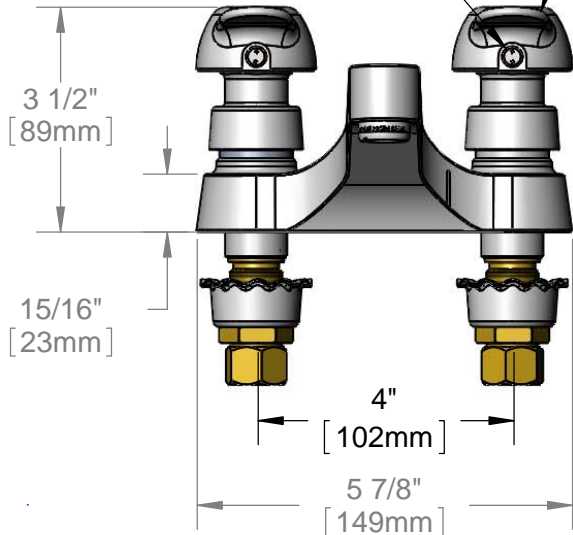
Vandal Resistant Screw. Loosen Screw (Do Not Remove) and Flip Handle Up to Access Metering Adjustment. (Metering Adjustment Requires 3/32" Hex Key)

238AH-PA (Hot Side)  
238AC-PA (Cold Side)  
Pivot Action  
Metering Cartridges w/  
Hot & Cold Handles &  
Vandal Resistant Screws



Spanner Bit for  
Vandal Resistant Screw.  
(Included)

B-0199-03  
2.2 GPM  
Aerator



Rough-In Requirement:  
(2) Ø 1 1/8" [29mm] Mounting Holes

Product Specifications:  
4" Centerset Deck Mount Mixing Faucet w/ Pivot Action  
Metering Cartridges & 2.2 GPM Aerator

Product Compliance:  
ASME A112.18.1 / CSA B125.1  
NSF 61 - Section 9  
NSF 372 (Low Lead Content)  
ANSI A117.1 (ADA)

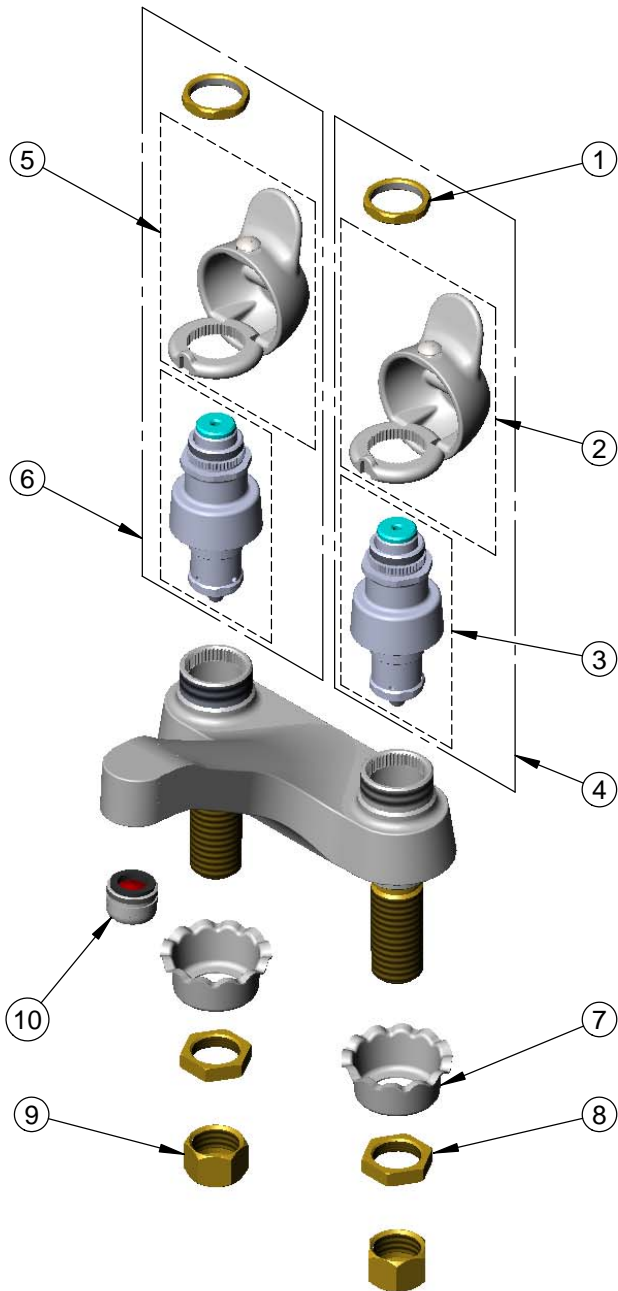


**T&S BRASS AND BRONZE WORKS, INC.**  
 2 Saddleback Cove / P.O. Box 1088  
 Travelers Rest, SC 29690

Model No.  
**B-0831-PA**  
 Item No.

Travelers Rest, SC: 800-476-4103 • Simi Valley, CA: 800-423-0150 • Fax: 864-834-3518 • www.tsbrass.com

ITEM NO.	SALES NO.	DESCRIPTION
1	PA-N	Retaining Nut
2	PA-C	Cold Pivot Action Handle Assembly w/ Retaining Nut and Spanner Bit
3	238A-PA	Pivot Action Metering Cartridge w/ Retaining Nut
4	238AC-PA	Pivot Action Metering Cartridge w/ Cold Pivot Action Handle, Retaining Nut and Spanner Bit
5	PA-H	Hot Pivot Action Handle Assembly w/ Retaining Nut and Spanner Bit
6	238AH-PA	Pivot Action Metering Cartridge w/ Hot Pivot Action Handle, Retaining Nut and Spanner Bit
7	001000-45	Rosette Washer
8	002954-45	Shank Lock Nut
9	000958-20	Coupling Nut
10	B-0199-03	2.2 GPM Aerator



  
 014734-45  
 Spanner Bit for  
 Vandal Resistant Screw

  
 016654-45  
 Pivot Action Handle  
 Vandal Resistant Screw

Product Specifications:  
 4" Centerset Deck Mount Mixing Faucet w/ Pivot Action  
 Metering Cartridges & 2.2 GPM Aerator

Product Compliance:  
 ASME A112.18.1 / CSA B125.1  
 NSF 61 - Section 9  
 NSF 372 (Low Lead Content)  
 ANSI A117.1 (ADA)