



T&S BRASS AND BRONZE WORKS, INC.
 2 Saddleback Cove / P.O. Box 1088
 Travelers Rest, SC 29690

Model No.
B-0831-02VR

Item No.

Travelers Rest, SC: 800-476-4103 • Simi Valley, CA: 800-423-0150 • Fax: 864-834-3518 • www.tsbrass.com



ADA Compliant

This Space for Architect/Engineer Approval

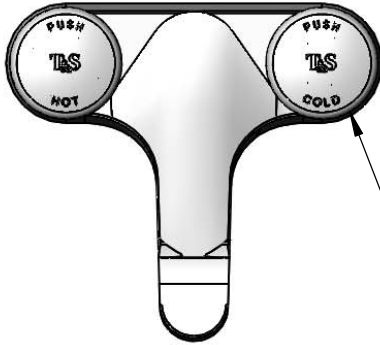
Job Name _____ Date _____

Model Specified _____ Quantity _____

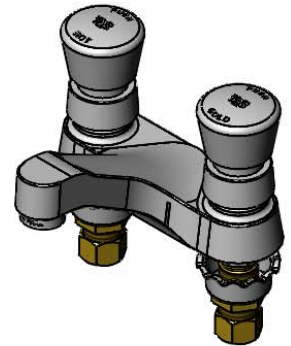
Customer/Wholesaler _____

Contractor _____

Architect/Engineer _____

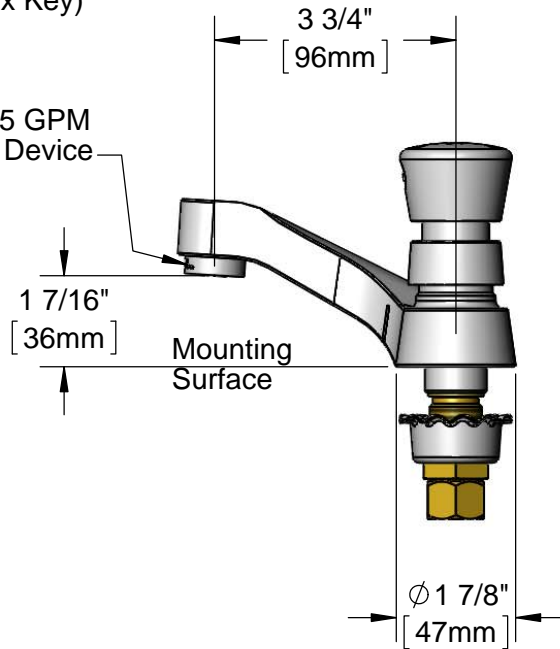
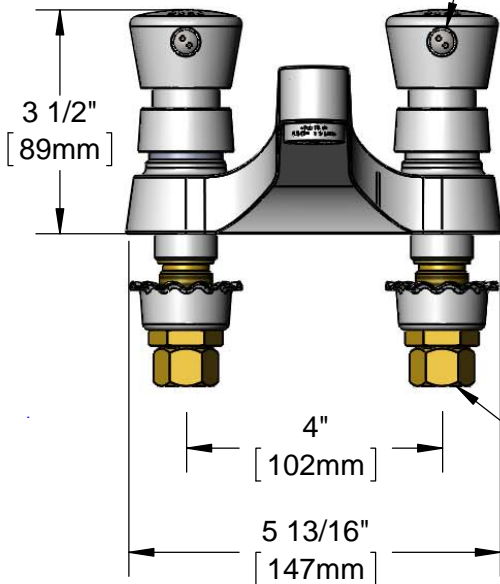


Push Button Metering Cartridges w/ Hot & Cold Handles and Vandal Resistant Screws



Loosen Vandal Resistant Screw (Do Not Remove) and Pull Off Push Button Assembly to Access Metering Adjustment Screw. (Requires 3/32" Hex Key)

B-0199-08-N05
 Vandal Resistant 0.5 GPM
 Non-Aerated Spray Device



3/4" [19mm] Maximum Thickness

1/2" NPSM Male Inlets w/ Coupling Nuts

Rough-In Requirement:
 (2) ϕ 1 1/8" [ϕ 29mm] Holes

Product Specifications:
 4" Centerset Deck Mount Faucet, Push Button Metering Cartridges, Vandal Resistant 0.5 GPM Non-Aerated Spray Device & 1/2" NPSM Male Inlets w/ Coupling Nuts

Product Compliance:
 ASME A112.18.1 / CSA B125.1
 NSF 61 - Section 9
 NSF 372 (Low Lead Content)
 ANSI A117.1 (ADA)



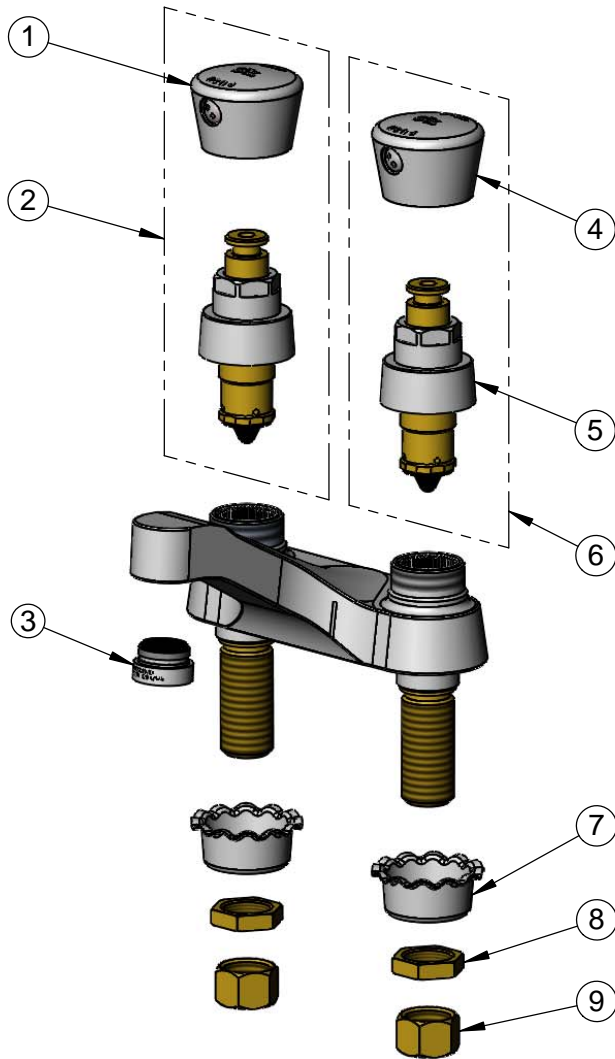
T&S BRASS AND BRONZE WORKS, INC.
 2 Saddleback Cove / P.O. Box 1088
 Travelers Rest, SC 29690

Model No.
B-0831-02VR

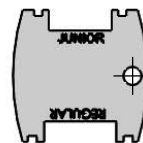
Item No.

Travelers Rest, SC: 800-476-4103 • Simi Valley, CA: 800-423-0150 • Fax: 864-834-3518 • www.tsbrass.com

ITEM NO.	SALES NO.	DESCRIPTION
1	014194-40	Hot Push Button Cap w/ Spanner Bit
2	238AH	Metering Cartridge w/ Hot Push Button Cap & Spanner Bit
3	B-0199-08-N05	VR 0.5 GPM Spray Device, 13/16-27 UN Male w/ Key
4	014195-40	Cold Push Button Cap w/ Spanner Bit
5	238A	Push Button Metering Cartridge
6	238AC	Metering Cartridge w/ Cold Push Button Cap & Spanner Bit
7	001000-45	Rosette Washer
8	002954-45	Shank Lock Nut
9	000958-20	Coupling Nut



014734-45
 #8 Spanner Bit



015425-45
 Vandal Resistant Key

Product Specifications:
 4" Centerset Deck Mount Faucet, Push Button Metering Cartridges,
 Vandal Resistant 0.5 GPM Non-Aerated Spray Device & 1/2" NPSM
 Male Inlets w/ Coupling Nuts

Product Compliance:
 ASME A112.18.1 / CSA B125.1
 NSF 61 - Section 9
 NSF 372 (Low Lead Content)
 ANSI A117.1 (ADA)