



# T&S BRASS AND BRONZE WORKS, INC.

2 Saddleback Cove / P.O. Box 1088  
Travelers Rest, SC 29690

Model No.

**B-0831-02**

Item No.

Travelers Rest, SC: 800-476-4103 • Simi Valley, CA: 800-423-0150 • Fax: 864-834-3518 • www.tsbrass.com



**ADA Compliant**

This Space for Architect/Engineer Approval

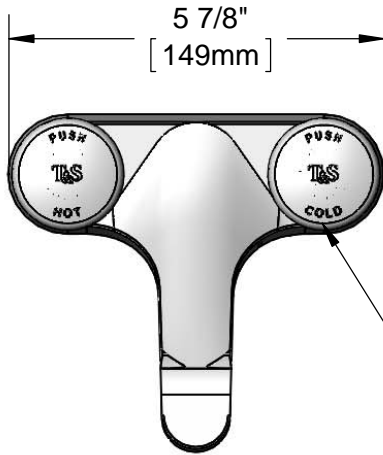
Job Name \_\_\_\_\_ Date \_\_\_\_\_

Model Specified \_\_\_\_\_ Quantity \_\_\_\_\_

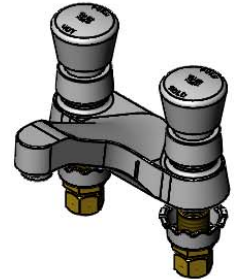
Customer/Wholesaler \_\_\_\_\_

Contractor \_\_\_\_\_

Architect/Engineer \_\_\_\_\_

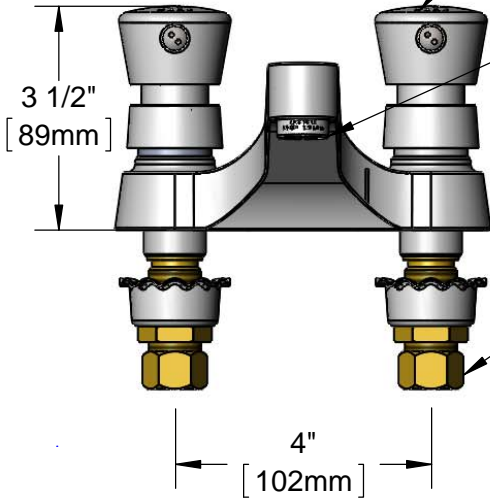


Push Button Metering Cartridges  
w/ Hot & Cold Handles and  
Vandal Resistant Screws  
(Spanner Bit Included)



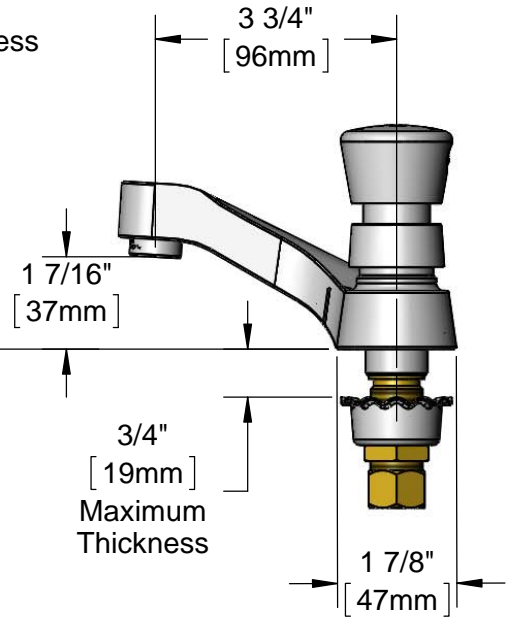
Loosen Vandal Resistant Screw  
(Do Not Remove) and Pull Off  
Push Button Assembly to Access  
Metering Adjustment Screw.  
(Requires 3/32" Hex Key)

B-0199-03-N05  
0.5 GPM Non-Aerated  
Spray Device



Mounting  
Surface

1/2" NPSM Male Inlets  
w/ Coupling Nuts



**Rough-In Requirement:**  
(2)  $\phi$  1 1/8" [ $\phi$  29mm] Holes

**Product Specifications:**  
4" Centerset Deck Mount Faucet w/ Push Button Metering Cartridges,  
0.5 GPM Non-Aerated Spray Device & 1/2" NPSM Male Inlets w/  
Coupling Nuts

**Product Compliance:**  
ASME A112.18.1 / CSA B125.1  
NSF 61 - Section 9  
NSF 372 (Low Lead Content)  
ANSI A117.1 (ADA)



**T&S BRASS AND BRONZE WORKS, INC.**

2 Saddleback Cove / P.O. Box 1088  
Travelers Rest, SC 29690

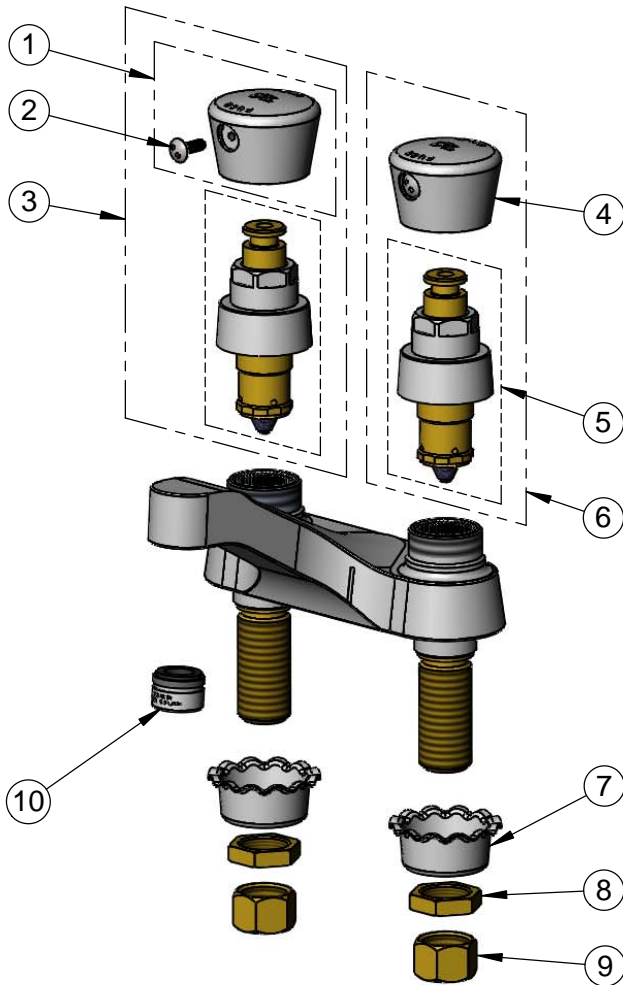
Model No.

**B-0831-02**

Item No.

Travelers Rest, SC: 800-476-4103 • Simi Valley, CA: 800-423-0150 • Fax: 864-834-3518 • www.tsbrass.com

ITEM NO.	SALES NO.	DESCRIPTION
1	014194-40	Hot Push Button Cap w/ Spanner Bit
2	014145-45	VR Screw, Push Button Cap
3	238AH	Metering Cartridge w/ Hot Push Button Cap & Spanner Bit
4	014195-40	Cold Push Button Cap w/ Spanner Bit
5	238A	Push Button Metering Cartridge
6	238AC	Metering Cartridge w/ Cold Push Button Cap & Spanner Bit
7	001000-45	Rosette Washer
8	002954-45	Shank Lock Nut
9	000958-20	Coupling Nut
10	B-0199-03-N05	0.5 GPM Spray Device, 13/16-27 Male



014734-45  
Spanner Bit for  
Vandal Resistant Screw

Product Specifications:

4" Centerset Deck Mount Faucet w/ Push Button Metering Cartridges,  
0.5 GPM Non-Aerated Spray Device & 1/2" NPSM Male Inlets w/  
Coupling Nuts

Product Compliance:

ASME A112.18.1 / CSA B125.1  
NSF 61 - Section 9  
NSF 372 (Low Lead Content)  
ANSI A117.1 (ADA)