



T&S BRASS AND BRONZE WORKS, INC.
 2 Saddleback Cove / P.O. Box 1088
 Travelers Rest, SC 29690

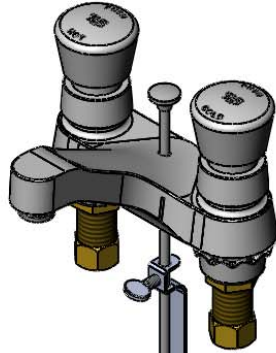
Model No.
B-0830

Item No.

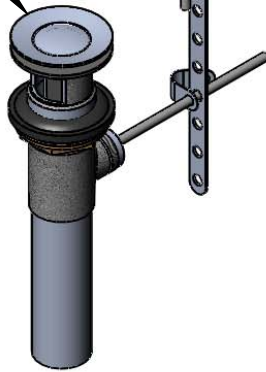
Travelers Rest, SC: 800-476-4103 • Simi Valley, CA: 800-423-0150 • Fax: 864-834-3518 • www.tsbrass.com



ADA Compliant



Furnished w/ Pop-Up
 Drain Assembly



This Space for Architect/Engineer Approval

Job Name _____ Date _____

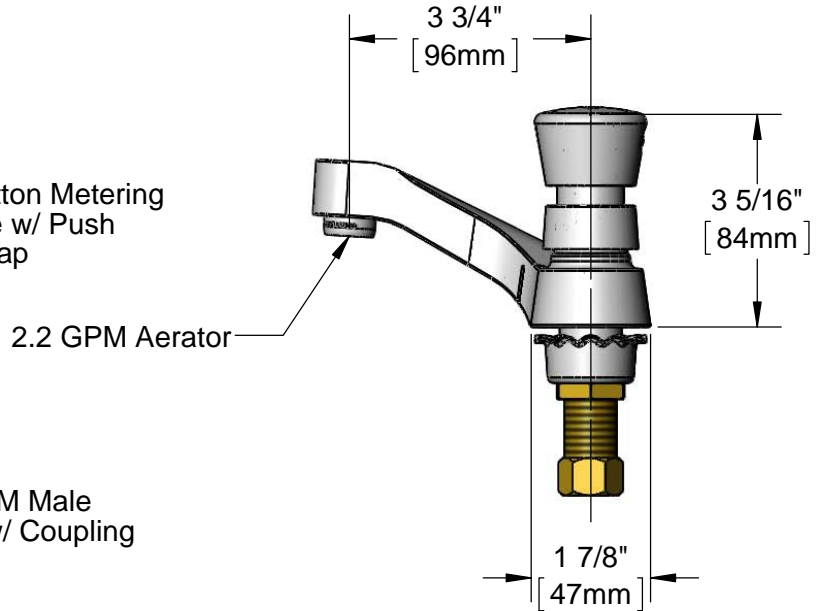
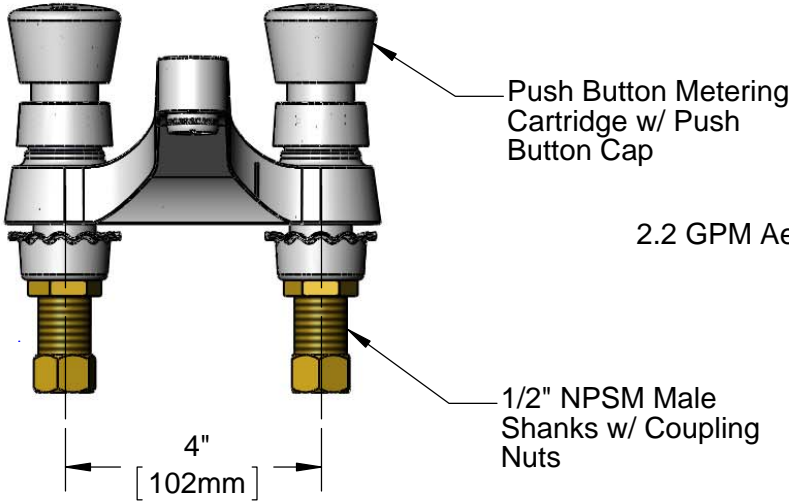
Model Specified _____ Quantity _____

Customer/Wholesaler _____

Contractor _____

Architect/Engineer _____

Furnished w/ 014734-45
 Spanner Bit to Access
 Metering Adjustment
 (Metering Requires 3/32"
 Hex Key)



Product Specifications:
 4" Centerset Deck Mount Faucet w/ 1/2" NPSM Male Shanks, Push Button Metering Cartridges, 2.2 GPM Aerator, 1/2" NPSM Male Inlets w/ Coupling Nuts and Pop-Up Drain

Product Compliance:
 ASME A112.18.1 / CSA B125.1
 NSF 61 - Section 9
 NSF 372 (Low Lead Content)
 ANSI A117.1 (ADA)



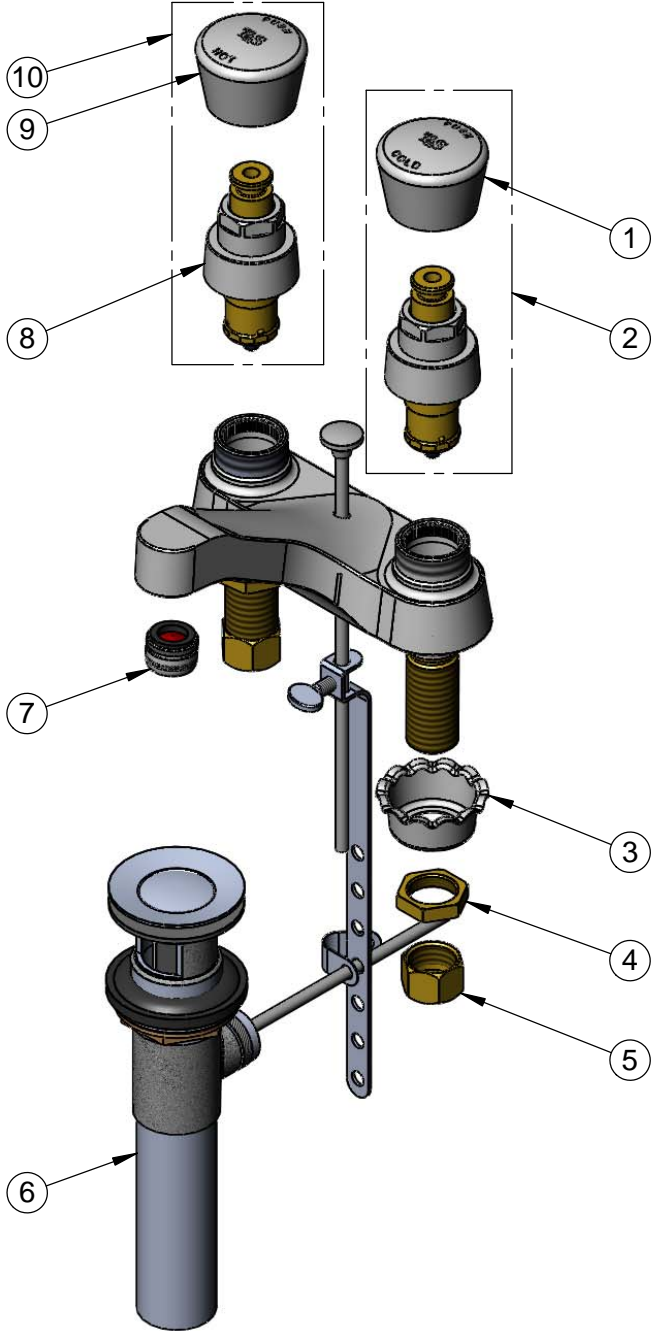
T&S BRASS AND BRONZE WORKS, INC.
 2 Saddleback Cove / P.O. Box 1088
 Travelers Rest, SC 29690

Model No.
B-0830

Item No.

Travelers Rest, SC: 800-476-4103 • Simi Valley, CA: 800-423-0150 • Fax: 864-834-3518 • www.tsbrass.com

ITEM NO.	SALES NO.	DESCRIPTION
1	014195-40	Cold Push Button Cap w/ Spanner Bit
2	238AC	Metering Cartridge w/ Cold Push Button Cap & Spanner Bit
3	001000-45	Rosette Washer
4	002954-45	Shank Lock Nut
5	000958-20	Coupling Nut
6	B-0898	Pop-Up
7	B-0199-03	2.2 GPM Aerator
8	238A	Push Button Metering Cartridge
9	014194-40	Hot Push Button Cap w/ Spanner Bit
10	238AH	Metering Cartridge w/ Hot Push Button Cap & Spanner Bit



014734-45
 Spanner Bit

Product Specifications:
 4" Centerset Deck Mount Faucet w/ 1/2" NPSM Male Shanks, Push Button Metering Cartridges, 2.2 GPM Aerator, 1/2" NPSM Male Inlets w/ Coupling Nuts and Pop-Up Drain

Product Compliance:
 ASME A112.18.1 / CSA B125.1
 NSF 61 - Section 9
 NSF 372 (Low Lead Content)
 ANSI A117.1 (ADA)